



T&S BRASS AND BRONZE WORKS, INC.

2 SADDLEBACK COVE / P.O. BOX 1088 / TRAVELERS REST, SC 29690

PHONE 800-476-4103

FAX 864-834-3518



REG. #A2601  
ISO #9002

Model No.

B-0702

Item No.:

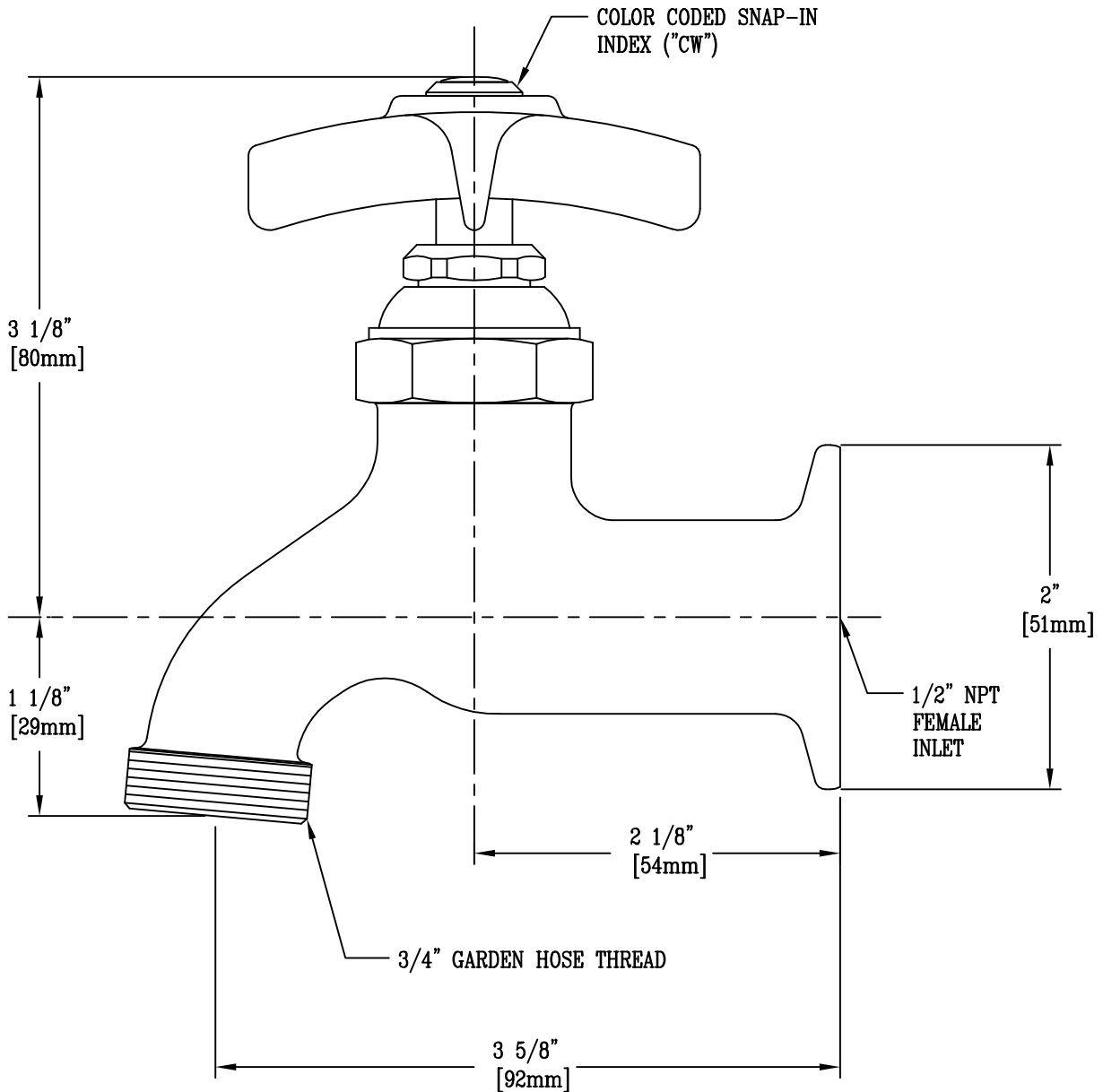
Job Name:

Architect/Engineer Approval:

Notes:



ADA COMPLIANT



Product Description:

SINGLE SINK FAUCET WITH 1/2" NPT FEMALE INLET, 4-ARM HANDLE, 3/4" HOSE OUTLET, & BLUE "CW" SNAP-IN INDEX

Drawn:

TEH

Approved

MVW

Checked

WJS

Scale:

1 : 1

Date:

2/7/05



**T&S BRASS AND BRONZE WORKS, INC.**

2 Saddleback Cove / P.O. Box 1088  
Travelers Rest, SC 29690

Model No.

**B-0702-WH4**

Item No.

Travelers Rest, SC: 800-476-4103 • Simi Valley, CA: 800-423-0150 • Fax: 864-834-3518 • www.tsbrass.com

This Space for Architect/Engineer Approval

Job Name \_\_\_\_\_ Date \_\_\_\_\_

Model Specified \_\_\_\_\_ Quantity \_\_\_\_\_

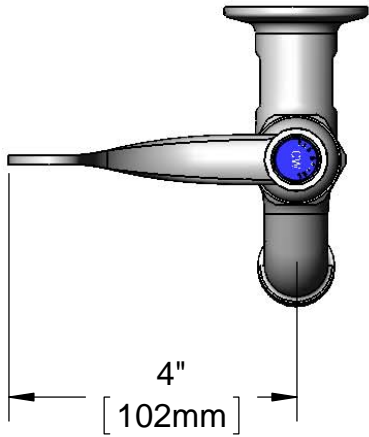
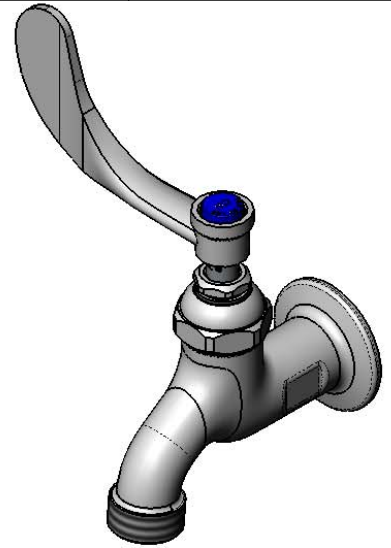
Customer/Wholesaler \_\_\_\_\_

Contractor \_\_\_\_\_

Architect/Engineer \_\_\_\_\_



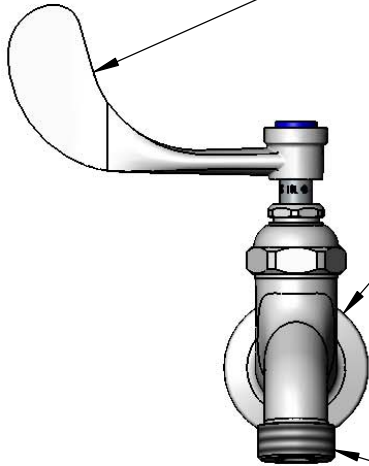
**ADA Compliant**



4"

[102mm]

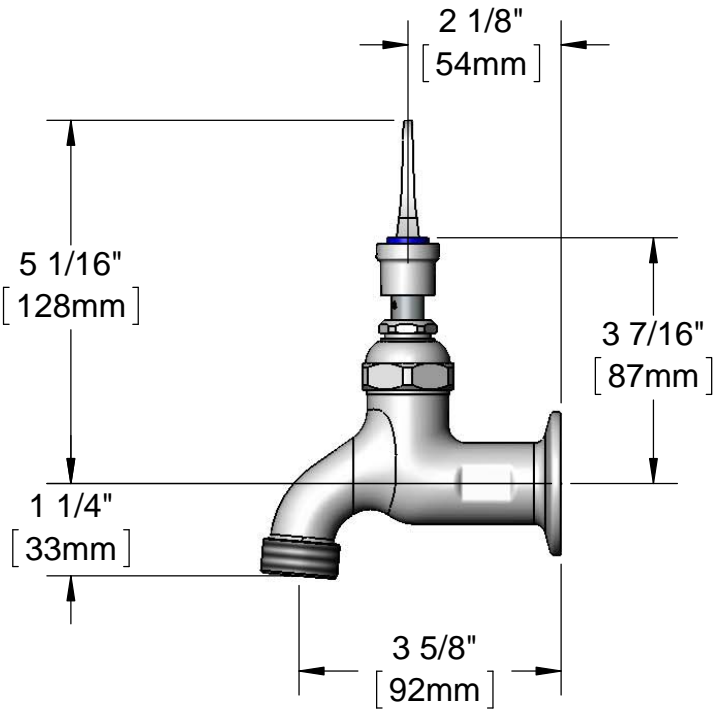
Eterna Cartridge &  
4" Wrist Action  
Handle w/ Color  
Coded Index (CW)



Ø2"  
[51mm]

Flange w/  
1/2" NPT  
Female Inlet

3/4" Garden  
Hose Outlet



2 1/8"

[54mm]

5 1/16"  
[128mm]

3 7/16"  
[87mm]

1 1/4"  
[33mm]

3 5/8"

[92mm]

Product Specifications:

Single Sink Faucet w/ Eterna cartridge, 4" Wrist Action Handle, 3/4" Hose Outlet, 1/2" NPT Female Inlet & "CW" Snap-In Index

Drawn

**KJG**

Checked

**DHL**

Approved

**JHB**

Scale:

**3:8**

Date:

**04/27/12**



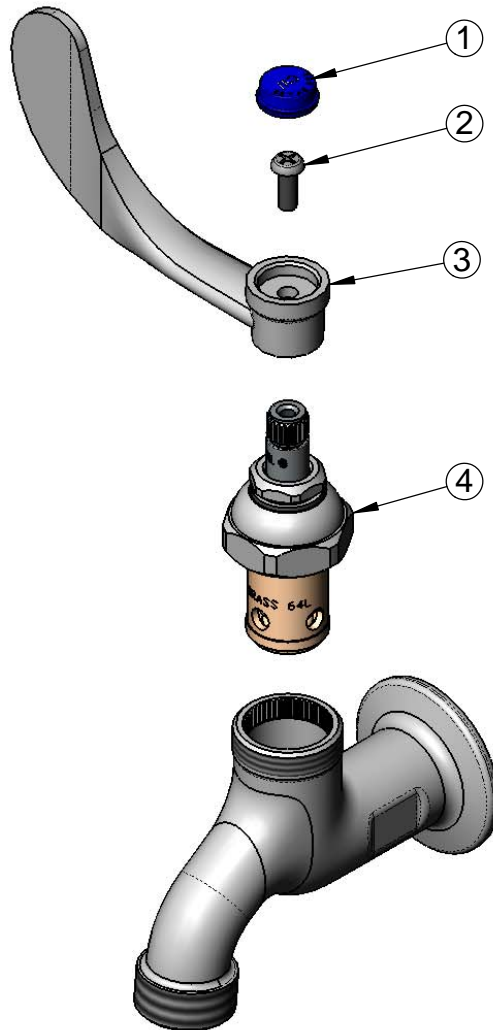
**T&S BRASS AND BRONZE WORKS, INC.**  
 2 Saddleback Cove / P.O. Box 1088  
 Travelers Rest, SC 29690

Model No.  
**B-0702-WH4**

Item No.

Travelers Rest, SC: 800-476-4103 • Simi Valley, CA: 800-423-0150 • Fax: 864-834-3518 • www.tsbrass.com

ITEM NO.	SALES NO.	DESCRIPTION
1	001686-45	Blue CW Index
2	000925-45	Lab Handle Screw
3	B-WH4	4" Wrist Action Handle
4	006010-40	Eterna Cartridge, RTC (Teflon)



**Product Specifications:**

Single Sink Faucet w/ Eterna cartridge, 4" Wrist Action Handle, 3/4" Hose Outlet, 1/2" NPT Female Inlet & "CW" Snap-In Index

Drawn <b>KJG</b>	Checked <b>DHL</b>	Approved <b>JHB</b>
---------------------	-----------------------	------------------------

Scale: <b>NTS</b>	Date: <b>04/27/12</b>
----------------------	--------------------------