



T&S BRASS AND BRONZE WORKS, INC.
 2 Saddleback Cove / P.O. Box 1088
 Travelers Rest, SC 29690

Model No.
B-0678

Item No.

Travelers Rest, SC: 800-476-4103 • Simi Valley, CA: 800-423-0150 • Fax: 864-834-3518 • www.tsbrass.com

This Space for Architect/Engineer Approval

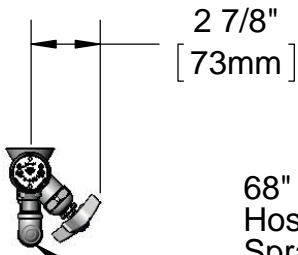
Job Name _____ Date _____

Model Specified _____ Quantity _____

Customer/Wholesaler _____

Contractor _____

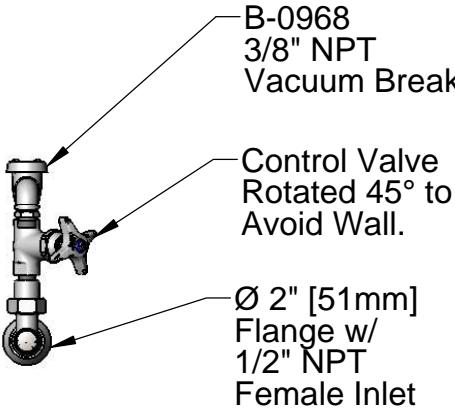
Architect/Engineer _____



2 7/8"
 [73mm]

68" Reinforced PVC
 Hose & Extended
 Spray Wand

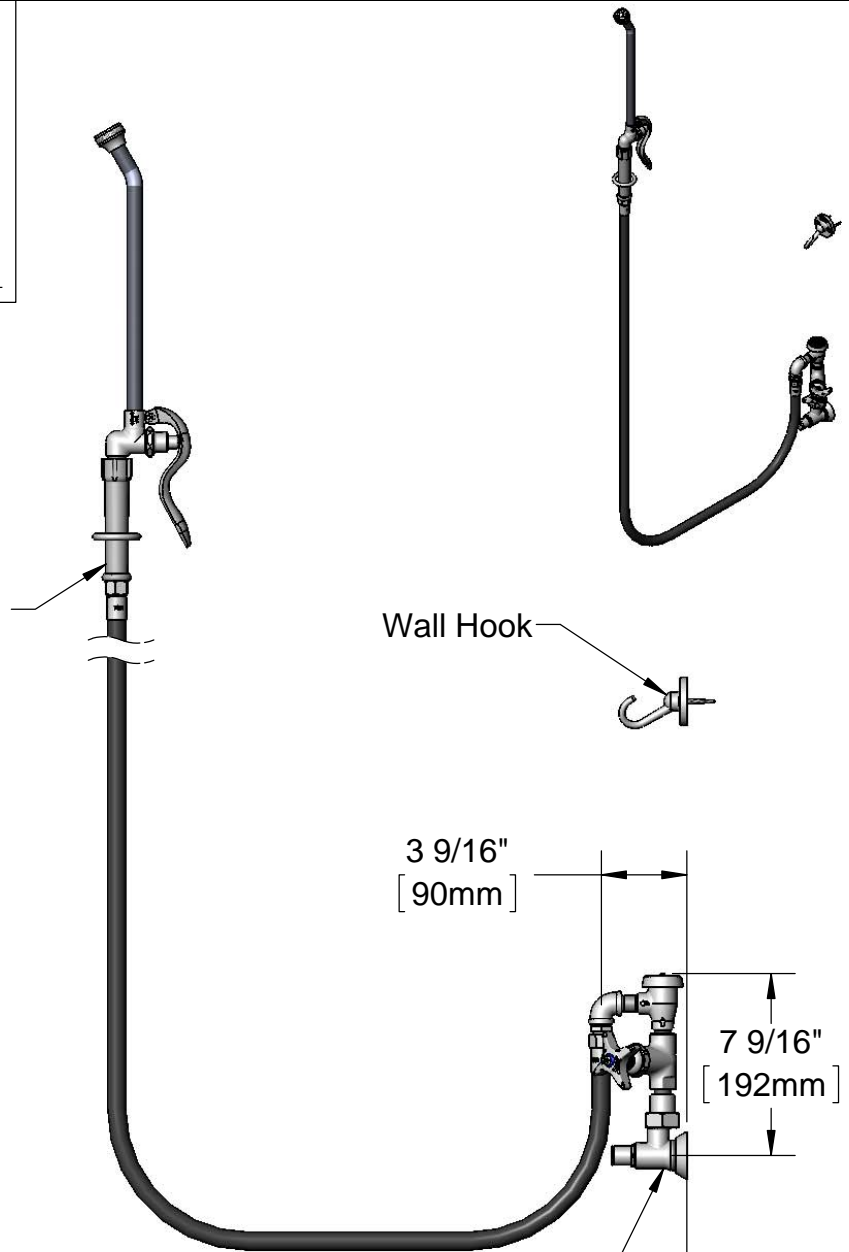
Items Not Shown
 For Clarity



B-0968
 3/8" NPT
 Vacuum Breaker

Control Valve
 Rotated 45° to
 Avoid Wall.

Ø 2" [51mm]
 Flange w/
 1/2" NPT
 Female Inlet



Wall Hook

3 9/16"
 [90mm]

7 9/16"
 [192mm]

Loose Key Stop

Mounting Surface

Product Specifications:
 Bed Pan Washer, Loose Key Angle Stop, Vacuum Breaker, 4-Arm Handle
 & Self-Closing Valve w/ Extended Spray Outlet

Product Compliance:
 ASME A112.18.1 / CSA B125.1
 NSF 61 Exempt (Non-Potable)
 ASSE 1001 (VB)

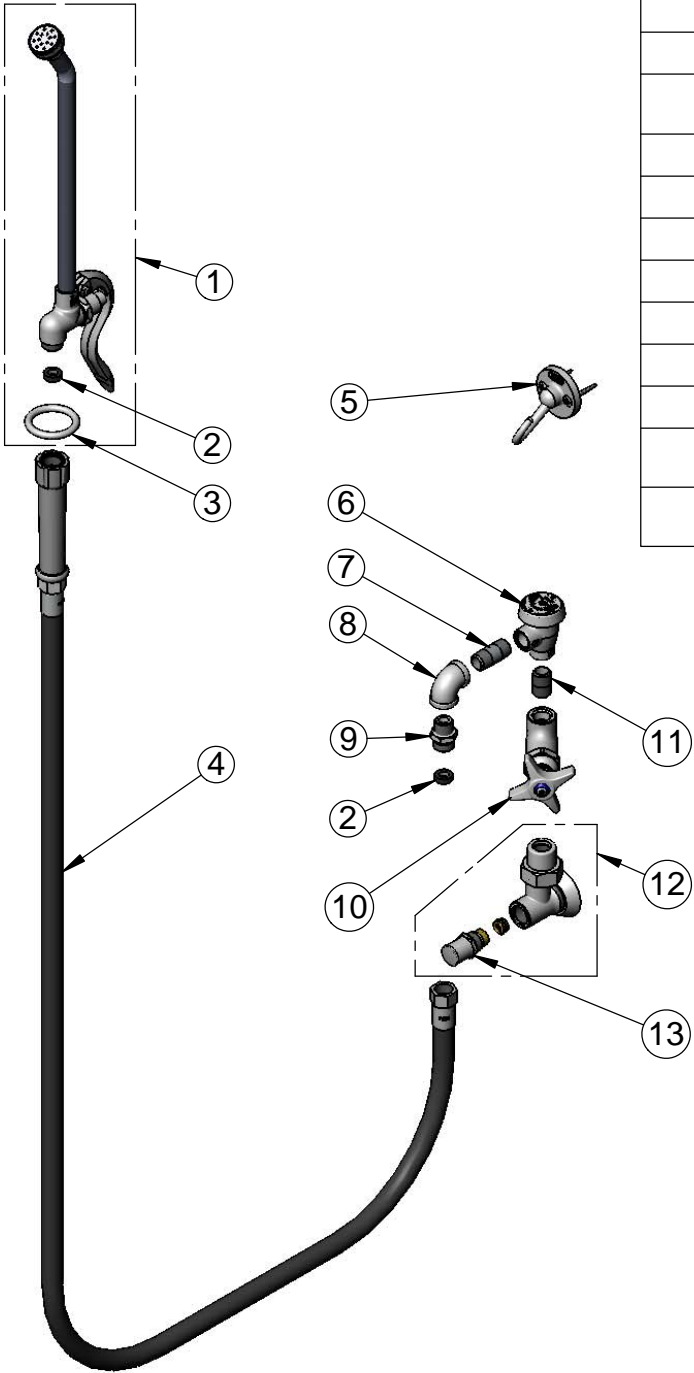


T&S BRASS AND BRONZE WORKS, INC.
 2 Saddleback Cove / P.O. Box 1088
 Travelers Rest, SC 29690

Model No.
B-0678
 Item No.

Travelers Rest, SC: 800-476-4103 • Simi Valley, CA: 800-423-0150 • Fax: 864-834-3518 • www.tsbrass.com

ITEM NO.	SALES NO.	DESCRIPTION
1	002865-40	Extended Spray Wand
2	010476-45	#27 Washer
3	000907-45	Spray Valve Hold Down Ring
4	B-0068-R	68" Reinforced PVC Hose w/ Handle
5	B-0104-D	Dummy Wall Hook Bracket
6	B-0968	3/8" NPT Vacuum Breaker
7	002341-40	Nipple, 3/8" NPT x 1 1/2"
8	001355-40	Elbow, 3/8 NPT
9	053A	Adapter, 3/8" NPT Male
10	007010-40	Straight Stop w/ 4-Arm & Blue Index
11	002535-25	3/8" Close Nipple
12	B-1351	Loose Key 1/2" NPT Angle Stop w/ Tee Handle & Screw
13	166A	Service Stop Spindle w/ Cap, Handle & Screw



Product Specifications:
 Bed Pan Washer, Loose Key Angle Stop, Vacuum Breaker, 4-Arm Handle & Self-Closing Valve w/ Extended Spray Outlet

Drawn: KJG Checked: JRM Approved: JHB Date: 01/27/15

Product Compliance:
 ASME A112.18.1 / CSA B125.1
 NSF 61 Exempt (Non-Potable)
 ASSE 1001 (VB)

Scale: NTS Sheet: 2 of 2



T&S BRASS AND BRONZE WORKS, INC.
 2 SADDLEBACK COVE / P.O. BOX 1088 / TRAVELERS REST, SC 29690
 PHONE 800-476-4103 FAX 864- 834-3518



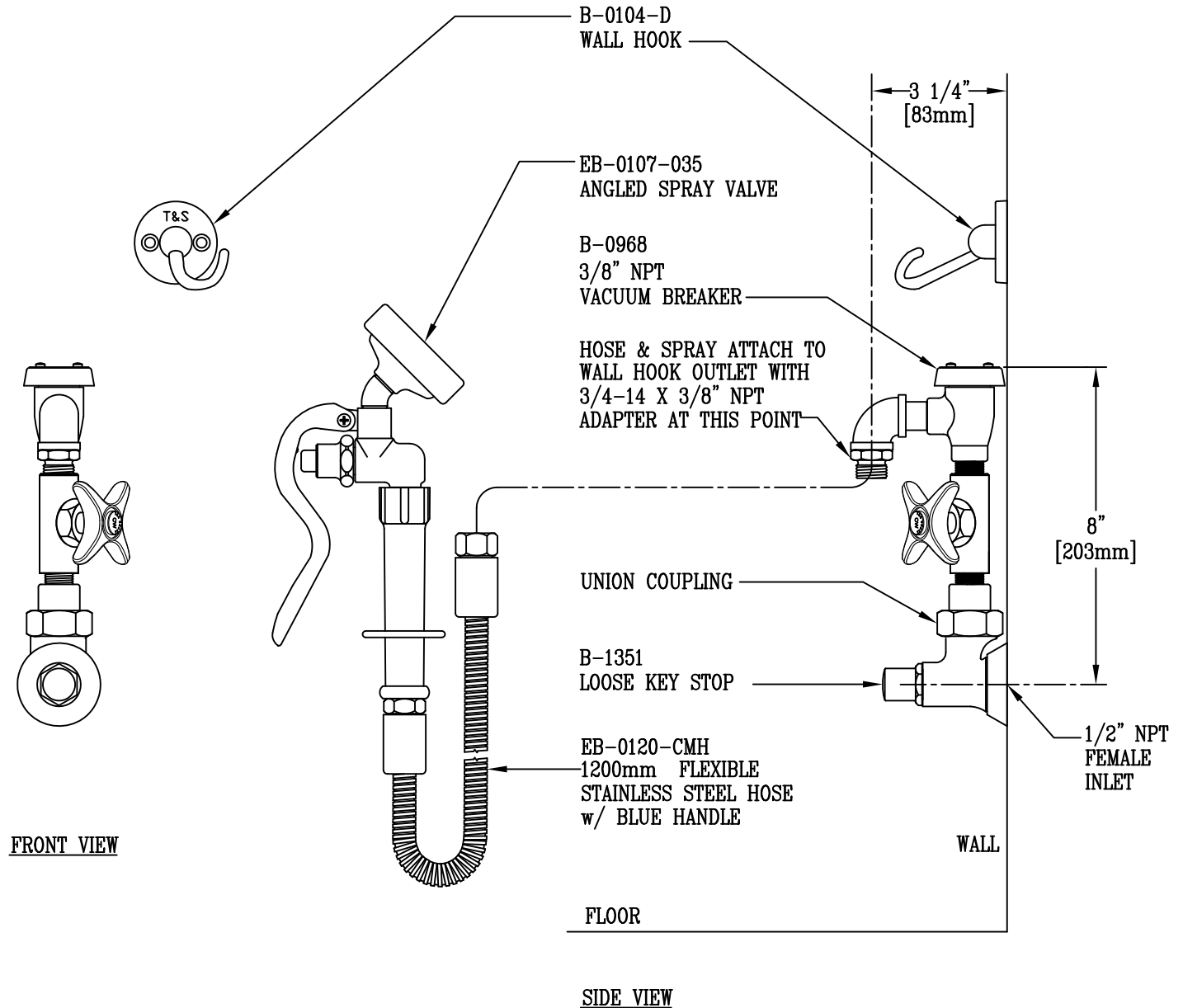
Model No.
 B-0678-01
 Item No.:

Job Name:

Architect/Engineer Approval:

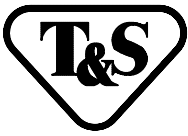
Notes:

EPAct2005 NON-COMPLIANT



Product Description:
 BED PAN WASHER w/ LOOSE KEY STOP,
 VACUUM BREAKER OUTLET, SELF-CLOSING
 SPRAY VALVE w/ ANGLED SPRAY HEAD

Drawn: DHL	Checked JRM	Scale: 1:4
Approved JHB	Date: 10/13/08	



T&S BRASS AND BRONZE WORKS, INC.

2 SADDLEBACK COVE / P.O. BOX 1088 / TRAVELERS REST, SC 29690

PHONE 800-476-4103

FAX 864-834-3518



REG.#A2601
ISO #9002

Model No.

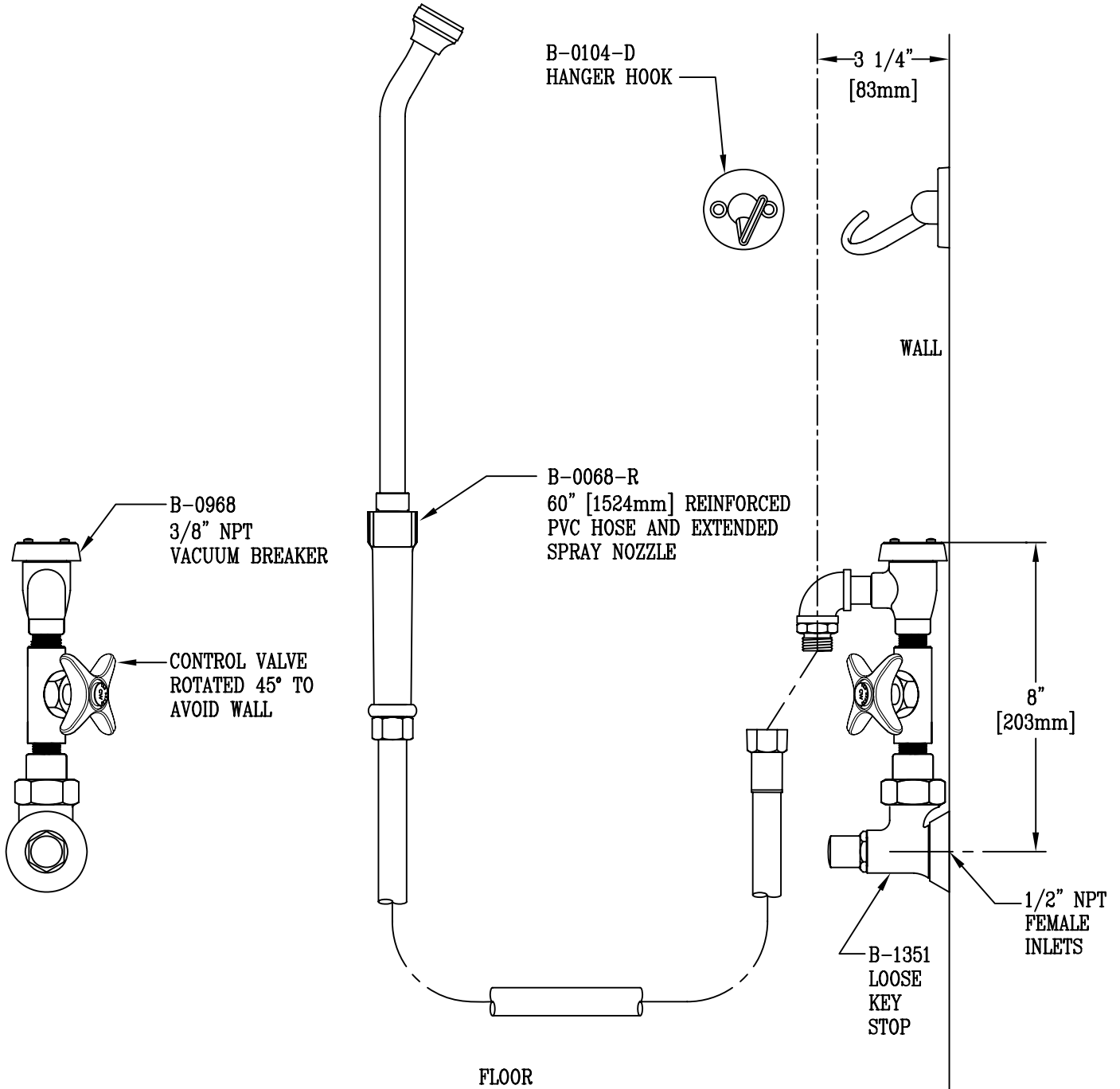
B-0679

Item No.:

Job Name:

Architect/Engineer Approval:

Notes:



Product Description:

BED PAN WASHER w/ LOOSE KEY ANGLE
STOP, VACUUM BREAKER OUTLET,
& EXTENDED SPRAY OUTLET

Drawn:

DHL

Checked

JRM

Scale:

1:4

Approved

JHB

Date:

12/21/09