



T&S BRASS AND BRONZE WORKS, INC.

2 Saddleback Cove / P.O. Box 1088
Travelers Rest, SC 29690



REG. #A2601
ISO #9001

Model No.

B-0664

Item No.

Travelers Rest, SC: 800-476-4103 Simi Valley, CA: 800-423-0150 Fax: 864-834-3518 www.tsbrass.com

This Space for Architect/Engineer Approval

Job Name _____ Date _____

Model Specified _____ Quantity _____

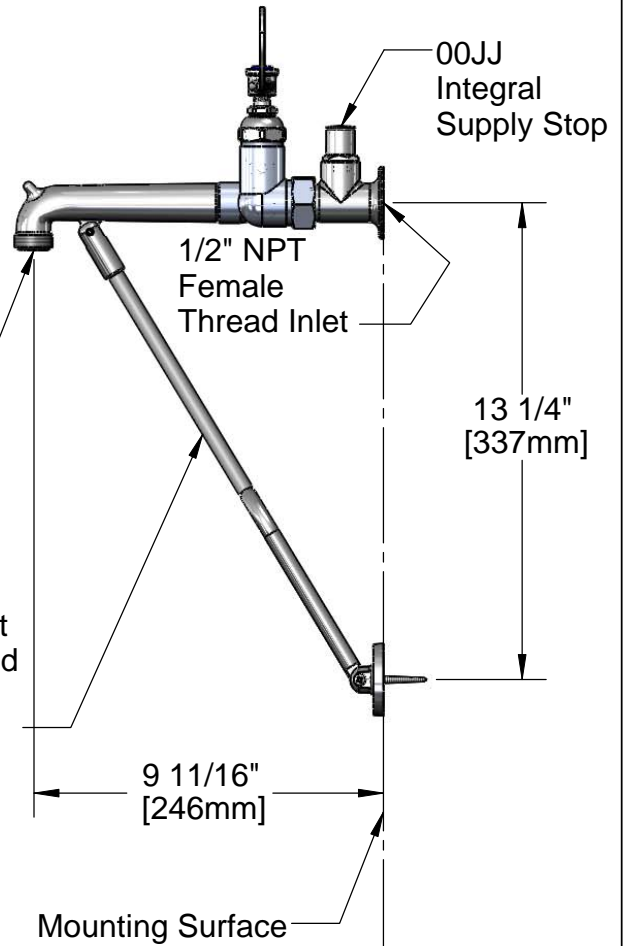
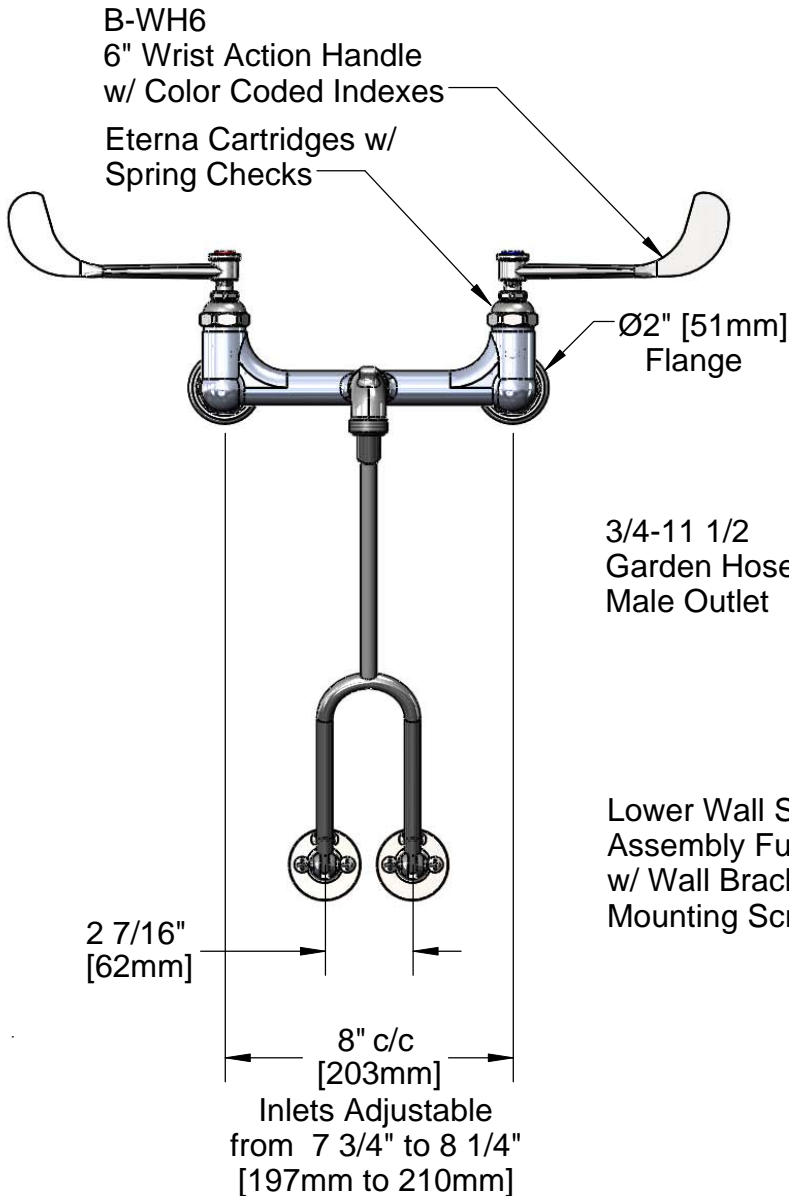
Customer/Wholesaler _____

Contractor _____

Architect/Engineer _____



ADA Compliant



Product Specifications:

8" Centers Service Sink w/ Garden Hose Outlet, Polish Chrome, Lower Wall Support, 6" Wrist Action Handles, 1/2" NPT Female Inlets w/ Integral Stops

Drawn DHL	Checked KJG	Approved JHB
Scale: NTS		Date: 08/10/10



T&S BRASS AND BRONZE WORKS, INC.

2 Saddleback Cove / P.O. Box 1088
Travelers Rest, SC 29690



REG. #A2601
ISO #9001

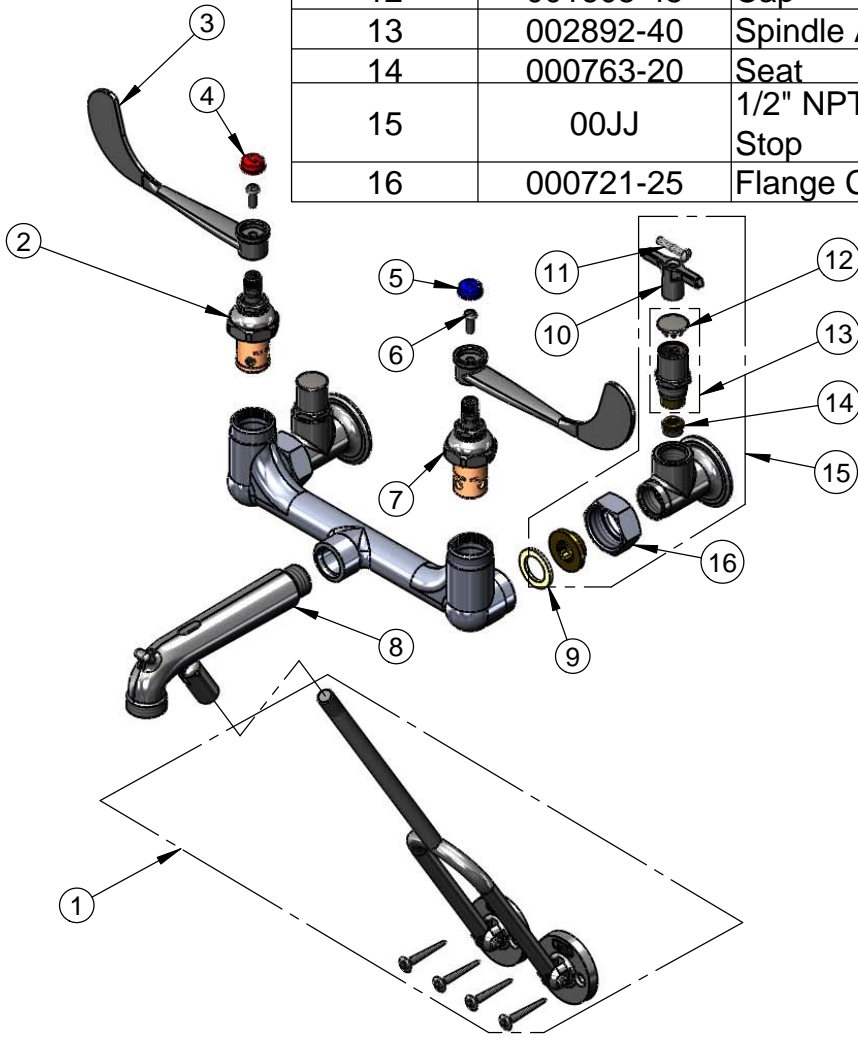
Model No.

B-0664

Item No.

Travelers Rest, SC: 800-476-4103 Simi Valley, CA: 800-423-0150 Fax: 864-834-3518 www.tsbrass.com

ITEM NO.	SALES NO.	DESCRIPTION
1	009616-40	Lower Support Rod Assembly w/ Mounting Screws
2	012443-40	Hot Eterna Spindle Assembly w/ Spring Check
3	B-WH6	6" Wrist Action Handle
4	001194-45	Red HW Index
5	001686-45	Blue CW Index
6	000925-45	Lab Handle Screw
7	012442-40	Cold Eterna Spindle Assembly w/ Spring Check
8	016450-40	Spout Assembly, Polished Chrome w/ Lower Clevis
9	001019-45	Coupling Nut Washer
10	001802-45	Handle, Supply Stop "T"
11	002432-45	Loose Key Handle Screw
12	001605-45	Cap
13	002892-40	Spindle Asm w/ Cap
14	000763-20	Seat
15	00JJ	1/2" NPT Female Thread Inlet Assembly w/ Inegral Stop
16	000721-25	Flange Coupling Nut



Product Specifications:

8" Centers Service Sink w/ Garden Hose Outlet, Polish Chrome, Lower Wall Support, 6" Wrist Action Handles, 1/2" NPT Female Inlets w/ Integral Stops

Drawn DHL	Checked KJG	Approved JHB
Scale: NTS		Date: 08/10/10



T&S BRASS AND BRONZE WORKS, INC.

2 Saddleback Cove / P.O. Box 1088
Travelers Rest, SC 29690



REG. #A2601
ISO #9001

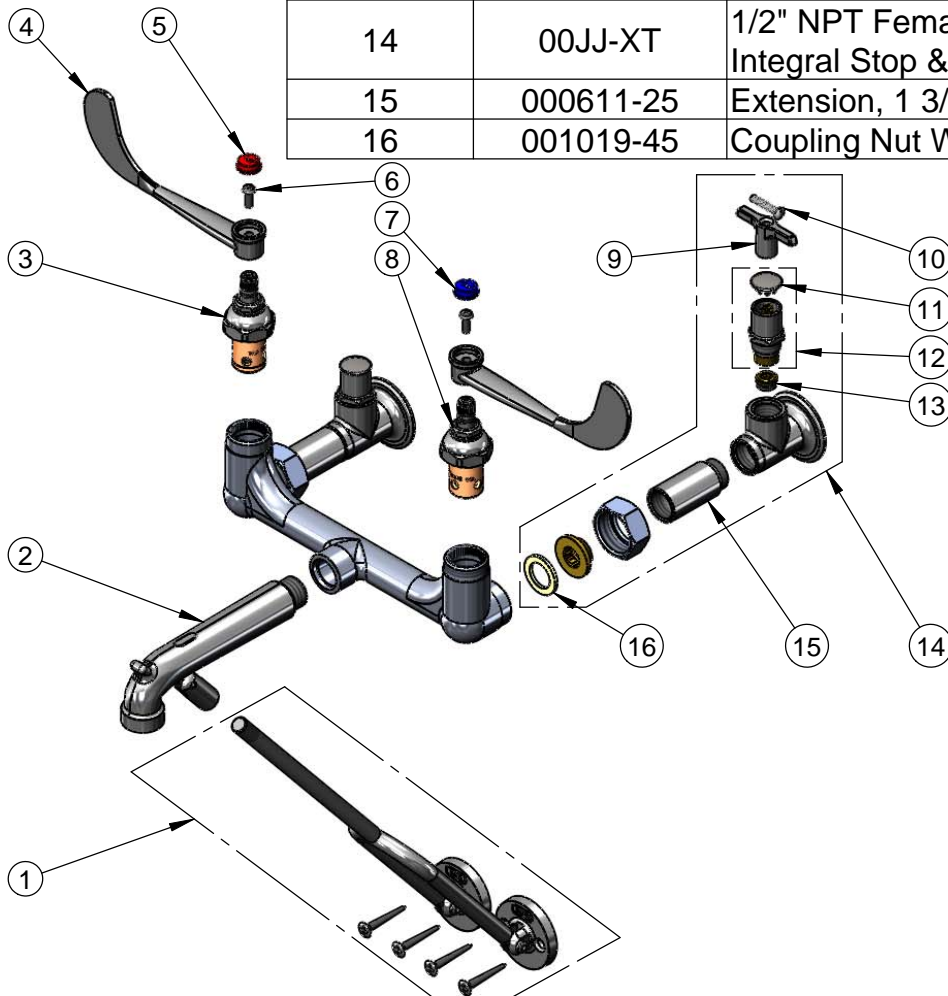
Model No.

B-0664-02

Item No.

Travelers Rest, SC: 800-476-4103 Simi Valley, CA: 800-423-0150 Fax: 864-834-3518 www.tsbrass.com

ITEM NO.	SALES NO.	DESCRIPTION
1	009616-40	Lower Support Rod Assembly
2	017535-40	Spout Assembly, Plain Outlet & Lower Clevis
3	012443-40	Hot Eterna Spindle Assembly w/ Spring Check
4	B-WH6	6" Wrist Action Handle
5	001194-45	Red HW Index
6	000925-45	Lab Handle Screw
7	001686-45	Blue CW Index
8	012442-40	Cold Eterna Spindle Assembly w/ Spring Check
9	001802-45	Handle, Supply Stop "T"
10	002432-45	Loose Key Handle Screw
11	001605-45	Cap
12	002892-40	Spindle Asm w/ Cap
13	000763-20	Seat
14	00JJ-XT	1/2" NPT Female Thread Inlet Assembly w/ Integral Stop & Extension
15	000611-25	Extension, 1 3/4" Long
16	001019-45	Coupling Nut Washer



Product Specifications:

8" c/c Service Sink w/ Plain End Spout, Polish Chrome,
Lower Wall Support, 6" Wrist Action Handles, 1/2" NPT Female
Inlet w/ Integral Stops & Extensions

Drawn DHL	Checked JRM	Approved JHB
Scale: NTS		Date: 03/22/11



T&S BRASS AND BRONZE WORKS, INC.

2 Saddleback Cove / P.O. Box 1088
Travelers Rest, SC 29690



REG. #A2601
ISO #9001

Model No.

B-0664-03

Item No.

Travelers Rest, SC: 800-476-4103 Simi Valley, CA: 800-423-0150 Fax: 864-834-3518 www.tsbrass.com

This Space for Architect/Engineer Approval

Job Name _____ Date _____

Model Specified _____ Quantity _____

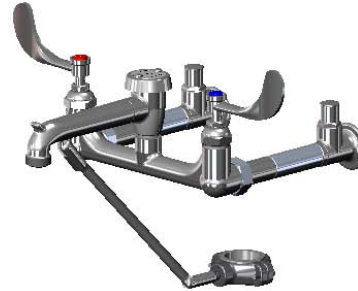
Customer/Wholesaler _____

Contractor _____

Architect/Engineer _____



ADA Compliant



Hot & Cold
Eterna Cartridges
w/ Spring Check
& 4" Wrist Action
Handles w/ Color
Coded Indexes

B-0969
1/2" Vacuum
Breaker

Wall

7 7/8" [200mm]

Integral Service
Stops

Adjustable

3/4-11 1/2 Male
Garden Hose Outlet

Split-Ring Clamp
Assembly Fastens
to Ø 1-1/2" O.D.
Flush Tube (not shown)

14 5/16" [364mm]

Ø 2" [51mm]
Flanges w/
1/2" NPT
Female
Inlets

8" c/c
[203mm]

Inlets Adjustable
from 7 3/4" to 8 1/4"
[197mm to 210mm]

Product Specifications:

Service Sink Faucet, Polished Chrome Finish w/ Split-Ring Lower Support Clamp for use on Ø 1-1/2" Flush Tubes, 4" Wrist Handles, Vacuum Breaker, 1/2" NPT Female Inlets, Integral Service Stops & Garden Hose Outlet

Drawn
DHL

Checked
KJG

Approved
JHB

Scale:

1:4

Date:

08/10/10



T&S BRASS AND BRONZE WORKS, INC.

2 Saddleback Cove / P.O. Box 1088
Travelers Rest, SC 29690



REG. #A2601
ISO #9001

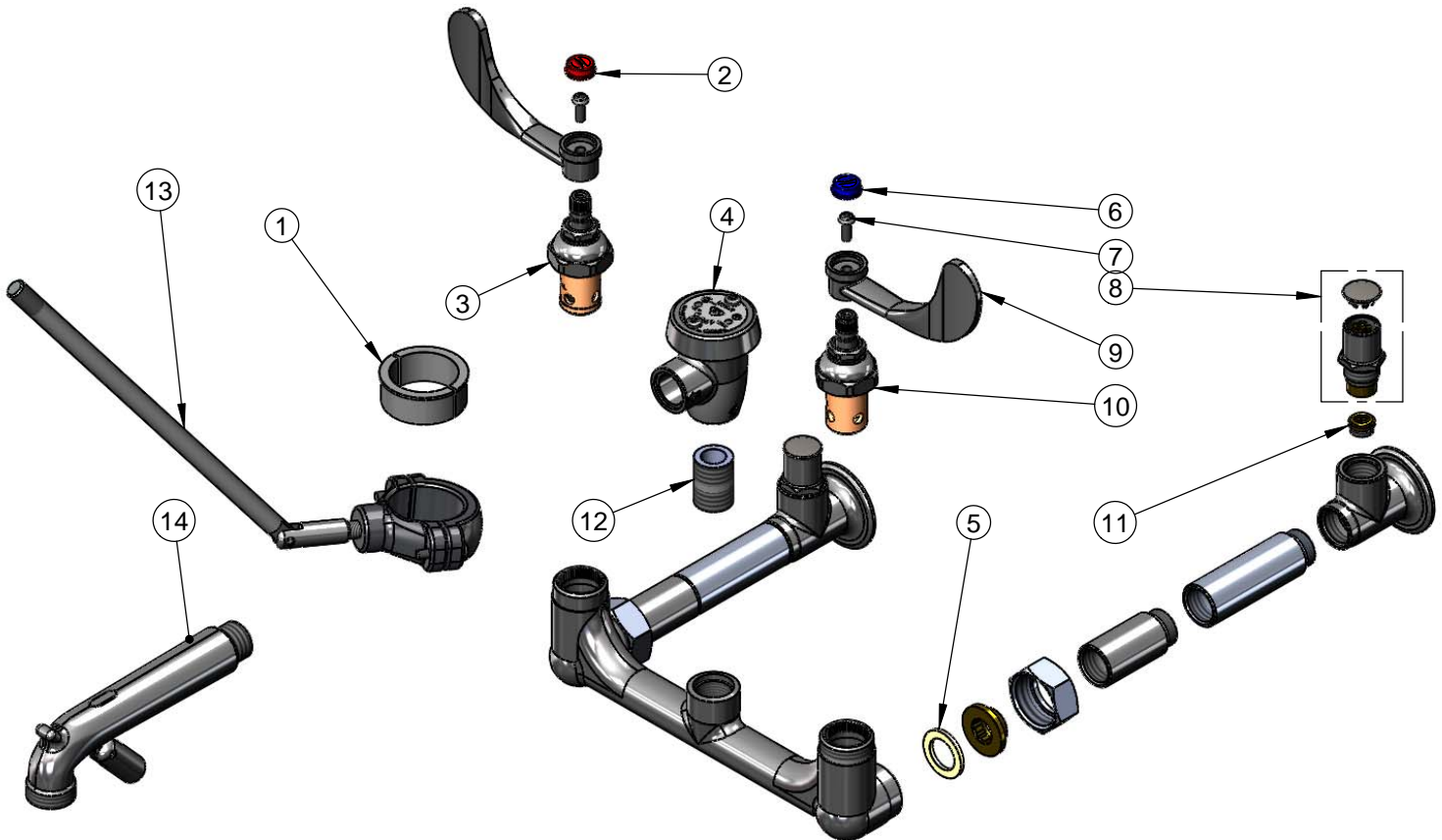
Model No.

B-0664-03

Item No.

Travelers Rest, SC: 800-476-4103 Simi Valley, CA: 800-423-0150 Fax: 864-834-3518 www.tsbrass.com

ITEM NO.	SALES NO.	DESCRIPTION
1	016863-20	Clamp Split Bushing (Set of 2 Halves)
2	001194-45	Red HW Index
3	012443-40	Hot Eterna Spindle Assembly w/ Spring Check
4	B-0969	Vacuum Breaker, 1/2"
5	001019-45	Coupling Nut Washer
6	001686-45	Blue CW Index
7	000925-45	Lab Handle Screw
8	002892-40	Stop Spindle Assembly w/ Cap
9	B-WH4	4" Wrist Action Handle
10	012442-40	Cold Eterna Spindle Assembly w/ Spring Check
11	000763-20	Seat
12	002534-25	Close Nipple, 1/2" x 1 5/32" Lg Rough Chrome
13	017882-40	Split Ring Pipe Clamp Lower Assembly
14	016450-40	Spout Assembly, Polish Chrome w/ Lower Clevis



Product Specifications:

Service Sink Faucet, Polished Chrome Finish w/ Split-Ring Lower Support Clamp for use on Ø 1-1/2" Flush Tubes, 4" Wrist Handles, Vacuum Breaker, 1/2" NPT Female Inlets, Integral Service Stops & Garden Hose Outlet

Drawn DHL	Checked KJG	Approved JHB
Scale: 1:4		Date: 08/10/10



T&S BRASS AND BRONZE WORKS, INC.

2 Saddleback Cove / P.O. Box 1088
Travelers Rest, SC 29690



REG. #A2601
ISO #9001

Model No.

B-0664-04

Item No.

Travelers Rest, SC: 800-476-4103 Simi Valley, CA: 800-423-0150 Fax: 864-834-3518 www.tsbrass.com

This Space for Architect/Engineer Approval

Job Name _____ Date _____

Model Specified _____ Quantity _____

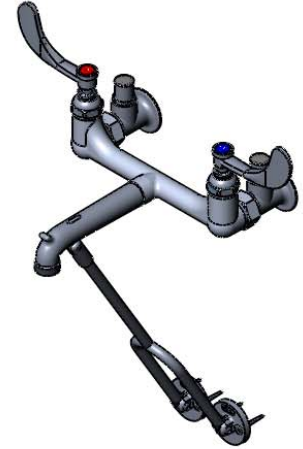
Customer/Wholesaler _____

Contractor _____

Architect/Engineer _____



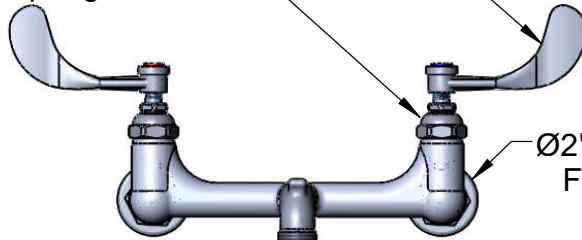
ADA Compliant



B-WH4

4" Wrist Action Handle
w/ Color Coded Indexes

Eterna Cartridges w/
Spring Checks



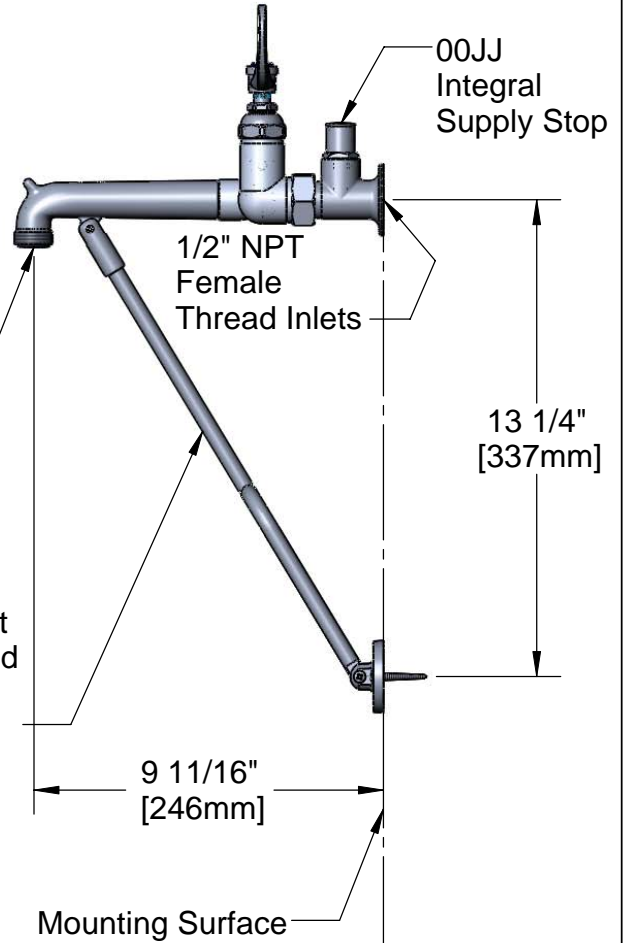
Ø2" [51mm]
Flange

3/4-11 1/2
Garden Hose
Male Outlet

Lower Wall Support
Assembly Furnished
w/ Wall Bracket &
Mounting Screws

2 7/16"
[62mm]

8" c/c
[203mm]



Product Specifications:

8" Centers Service Sink w/ Garden Hose Outlet, Polish Chrome,
Lower Wall Support, 4" Wrist Action Handles & 1/2" NPT Female
Inlet w/ Integral Stops

Drawn
DHL

Checked
KJG

Approved
JHB

Scale:

NTS

Date:

02/10/09



T&S BRASS AND BRONZE WORKS, INC.

2 Saddleback Cove / P.O. Box 1088
Travelers Rest, SC 29690



REG. #A2601
ISO #9001

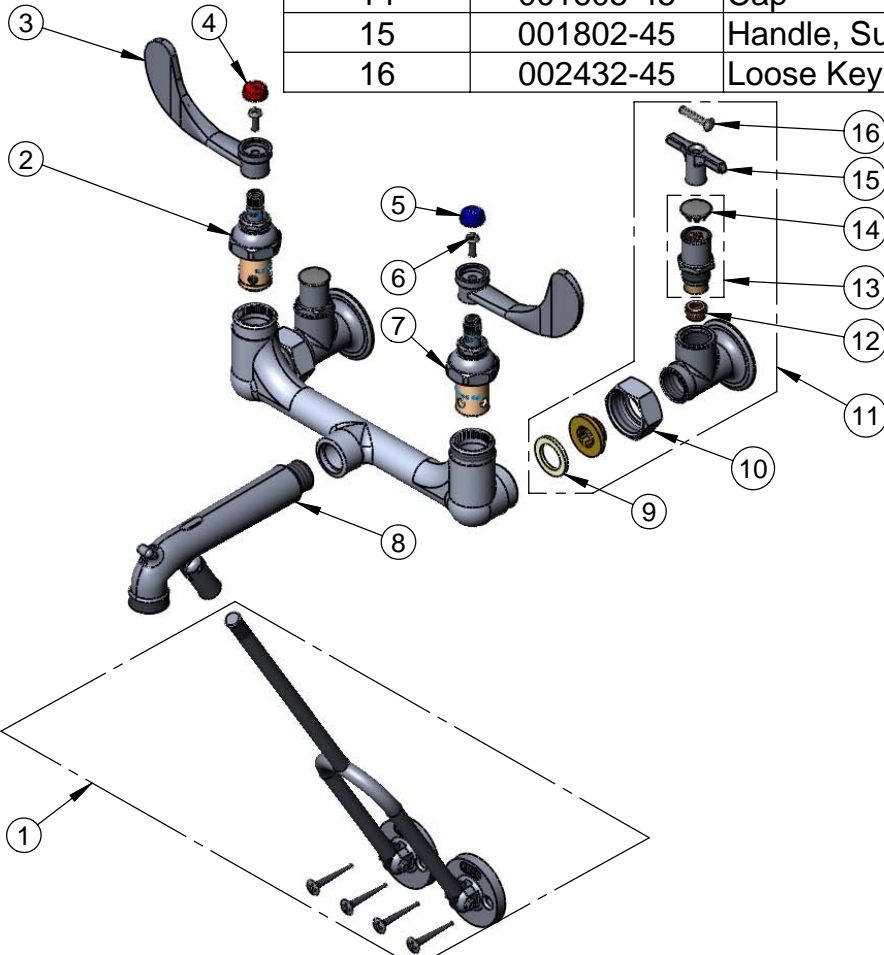
Model No.

B-0664-04

Item No.

Travelers Rest, SC: 800-476-4103 Simi Valley, CA: 800-423-0150 Fax: 864-834-3518 www.tsbrass.com

ITEM NO.	SALES NO.	DESCRIPTION
1	009616-40	Lower Support Rod Assembly w/ Mounting Screws
2	012443-40	Hot Eterna Spindle Assembly w/ Spring Check
3	B-WH4	4" Wrist Action Handle
4	001194-45	Red HW Index
5	001686-45	Blue CW Index
6	000925-45	Lab Handle Screw
7	012442-40	Cold Eterna Spindle Assembly w/ Spring Check
8	016450-40	Spout Assembly, Polished w/ Bottom Support Clevis
9	001019-45	Coupling Nut Washer
10	000721-25	Flange Coupling Nut
11	002892-40	Spindle Assembly w/ Cap
12	000763-20	Seat
13	00JJ	1/2" NPT Female Thread Inlet w/ Integral Stop
14	001605-45	Cap
15	001802-45	Handle, Supply Stop "T"
16	002432-45	Loose Key Handle Screw



Product Specifications:

8" Centers Service Sink w/ Garden Hose Outlet, Polish Chrome, Lower Wall Support, 4" Wrist Action Handles & 1/2" NPT Female Inlet w/ Integral Stops

Drawn DHL	Checked KJG	Approved JHB
Scale: NTS		Date: 02/10/09



T&S BRASS AND BRONZE WORKS, INC.

2 Saddleback Cove / P.O. Box 1088
Travelers Rest, SC 29690



REG. #A2601
ISO #9001

Model No.

B-0664-05

Item No.

Travelers Rest, SC: 800-476-4103 Simi Valley, CA: 800-423-0150 Fax: 864-834-3518 www.tsbrass.com

This Space for Architect/Engineer Approval

Job Name _____ Date _____

Model Specified _____ Quantity _____

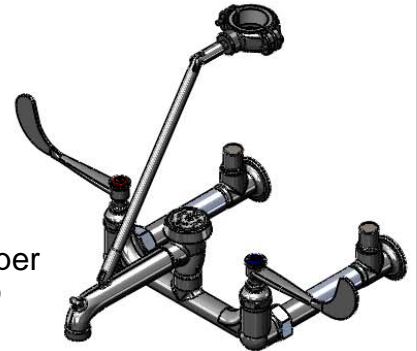
Customer/Wholesaler _____

Contractor _____

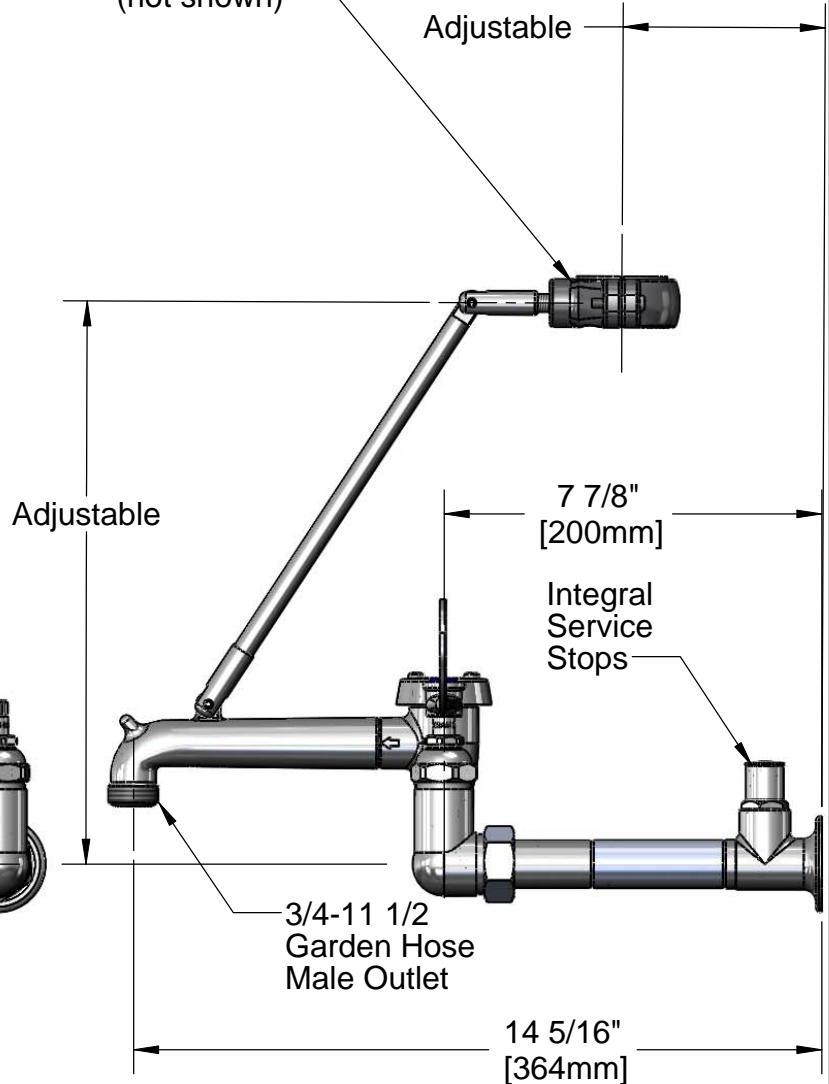
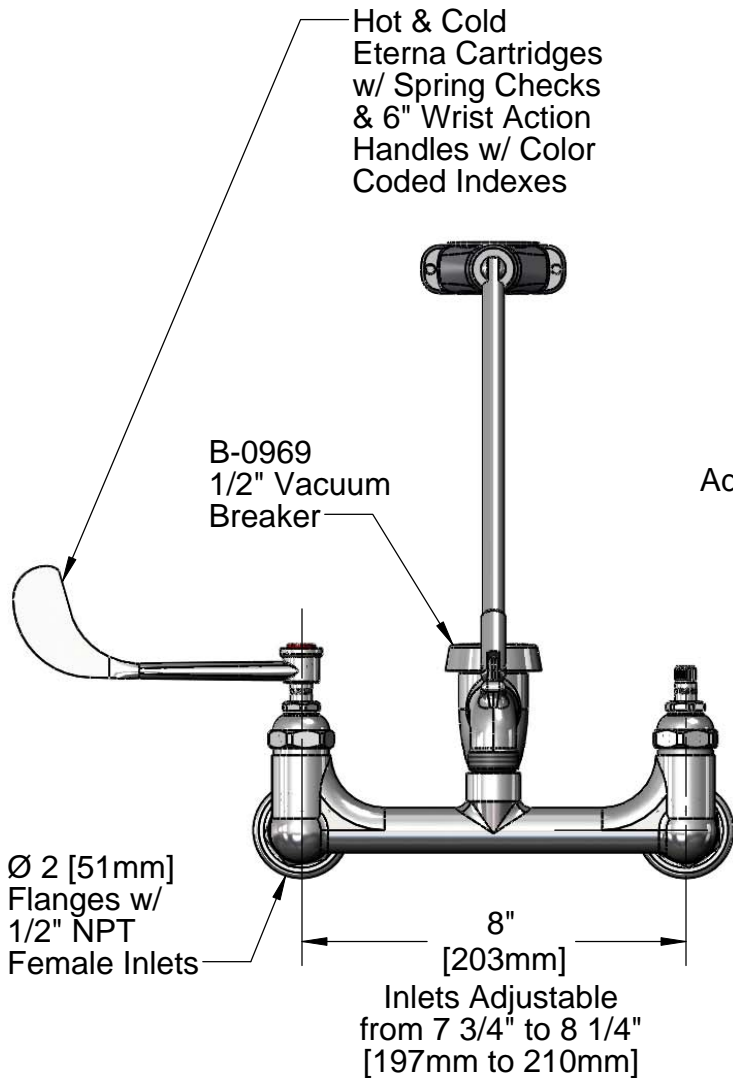
Architect/Engineer _____



ADA Compliant



Split-Ring Clamp Upper Assembly Fastens to \varnothing 1-1/2" O.D. Flush Tube (not shown)



Product Specifications:

Service Sink Faucet, Polished Chrome Finish w/ Split-Ring Clamp Upper Assembly for use on \varnothing 1-1/2" O.D. Flush Tubes, 6" Wrist Handles, Vacuum Breaker, 1/2" NPT Female Inlets, Integral Stop & Garden Hose Outlet

Drawn DHL	Checked KJG	Approved JHB
Scale: 1:4		Date: 08/10/10



T&S BRASS AND BRONZE WORKS, INC.

2 Saddleback Cove / P.O. Box 1088
Travelers Rest, SC 29690



REG. #A2601
ISO #9001

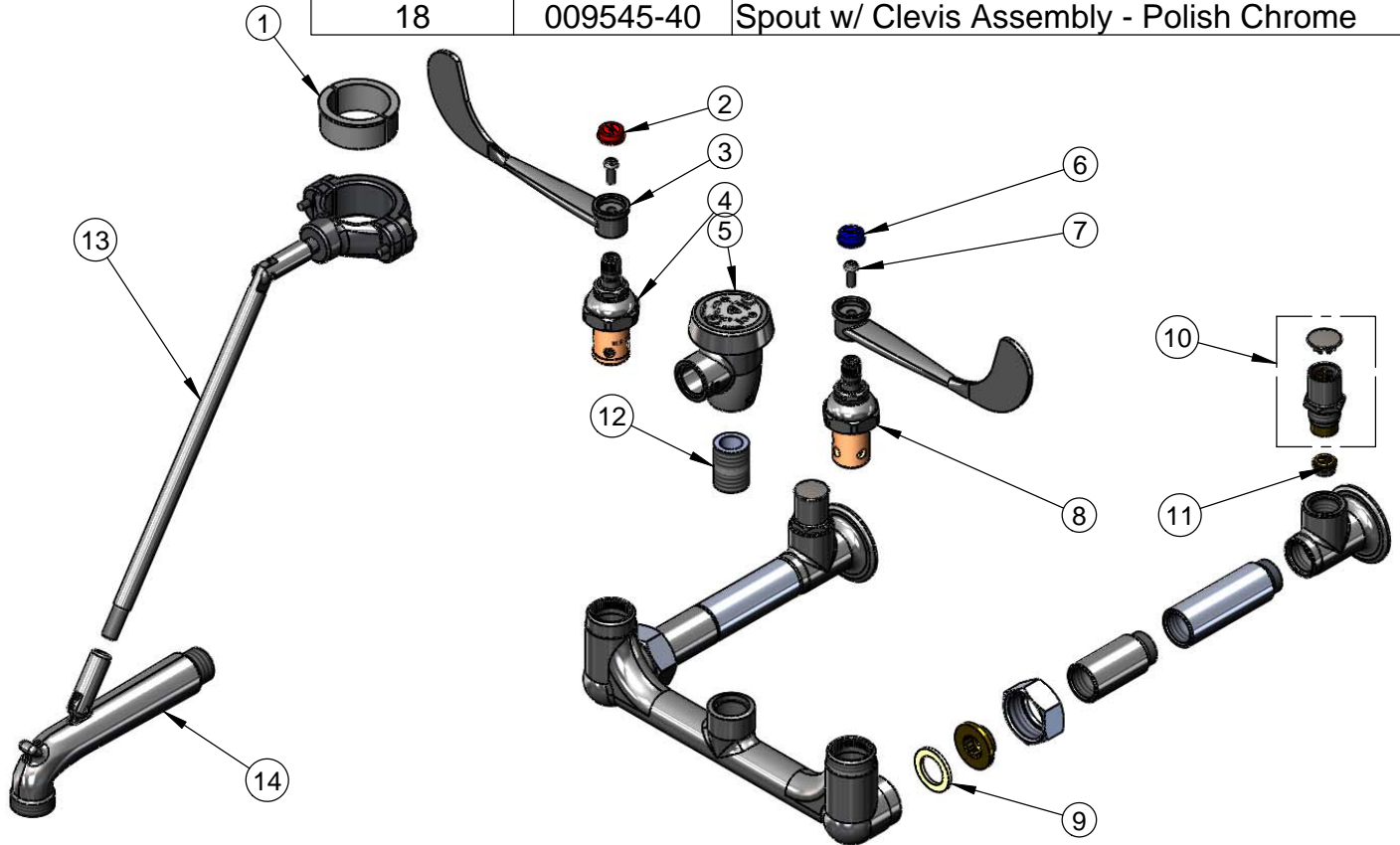
Model No.

B-0664-05

Item No.

Travelers Rest, SC: 800-476-4103 Simi Valley, CA: 800-423-0150 Fax: 864-834-3518 www.tsbrass.com

ITEM NO.	SALES NO.	DESCRIPTION
1	016863-20	Clamp Split Bushing (Set of 2 halves)
2	001194-45	Red HW Index
3	B-WH6	6" Wrist Action Handle
4	012443-40	Hot Eterna Spindle Assembly w/ Spring Check
5	B-0969	Vacuum Breaker, 1/2"
6	001686-45	Blue CW Index
7	000925-45	Lab Handle Screw
8	012442-40	Cold Eterna Spindle Assembly w/ Spring Check
9	001019-45	Coupling Nut Washer
10	002892-40	Stop Spindle Assembly w/ Cap
11	000763-20	Seat
12	002534-25	Close Nipple, 1/2" x 1 5/32" Lg Rough Chrome
13	016449-40	Split Ring Pipe Clamp Upper Assembly
14	009545-40	Spout Assembly, Polish Chrome w/ Clevis
18	009545-40	Spout w/ Clevis Assembly - Polish Chrome



Product Specifications:

Service Sink Faucet, Polished Chrome Finish w/ Split-Ring Clamp Upper Assembly for use on Ø 1-1/2" O.D. Flush Tubes, 6" Wrist Handles, Vacuum Breaker, 1/2" NPT Female Inlets, Integral Stop & Garden Hose Outlet

Drawn DHL	Checked KJG	Approved JHB
Scale: NTS		Date: 08/10/10