



T&S BRASS AND BRONZE WORKS, INC.

2 Saddleback Cove / P.O. Box 1088
Travelers Rest, SC 29690

Model No.

B-0655-01

Item No.

Travelers Rest, SC: 800-476-4103 • Simi Valley, CA: 800-423-0150 • Fax: 864-834-3518 • www.tsbrass.com



ADA Compliant

This Space for Architect/Engineer Approval

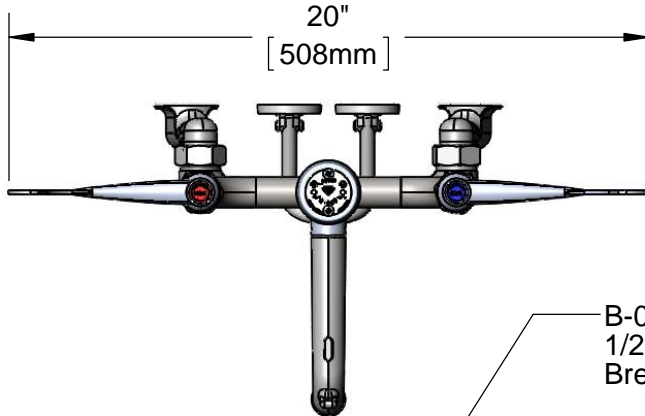
Job Name _____ Date _____

Model Specified _____ Quantity _____

Customer/Wholesaler _____

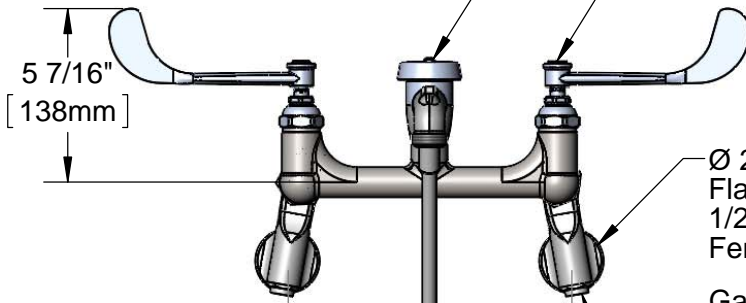
Contractor _____

Architect/Engineer _____



B-0969
1/2" NPT Vacuum
Breaker

Eterna Cartridges w/
Spring Checks & 6"
Wrist Action Handles
w/ Color Coded Indexes

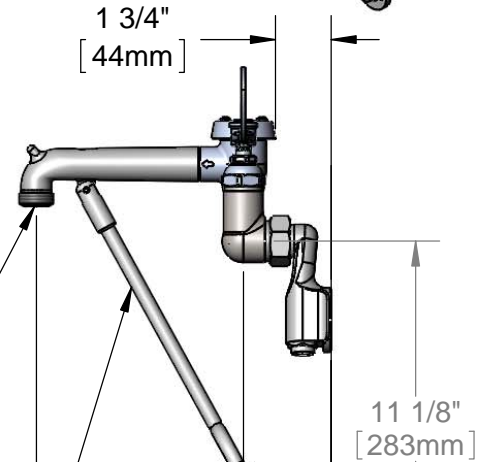


Ø 2" [51mm]
Flanges w/
1/2" NPT
Female Inlets

Garden Hose
Male Outlet

Lower Wall Support
Rod w/ Wall Bracket
& Mounting Screws

Built-In
Service Stops



1 3/4"
[44mm]

11 1/8"
[283mm]

2 7/16"
[62mm]

Inlets Adjustable
from 3 1/4" [83mm]
to 12 3/4" [324mm]
Below or Above
Centerline

2 3/4"
[70mm]

9 3/16"
[234mm]

Mounting Surface

Product Specifications:

Adjustable Wall Mount Service Sink Faucet, Eterna Cartridges w/ Spring Checks, 6" Wrist Action Handles, Lower Support Rod, 1/2" NPT Adjustable Inlets w/ Supply Stops, Male Garden Hose Outlet, Polished Chrome Finish & 1/2" NPT Vacuum Breaker

Product Compliance:

ASME A112.18.1 / CSA B125.1
NSF 61 - Section 9
NSF 372 (Low Lead Content)
ANSI A117.1 (ADA)
ASSE 1001 (VB)



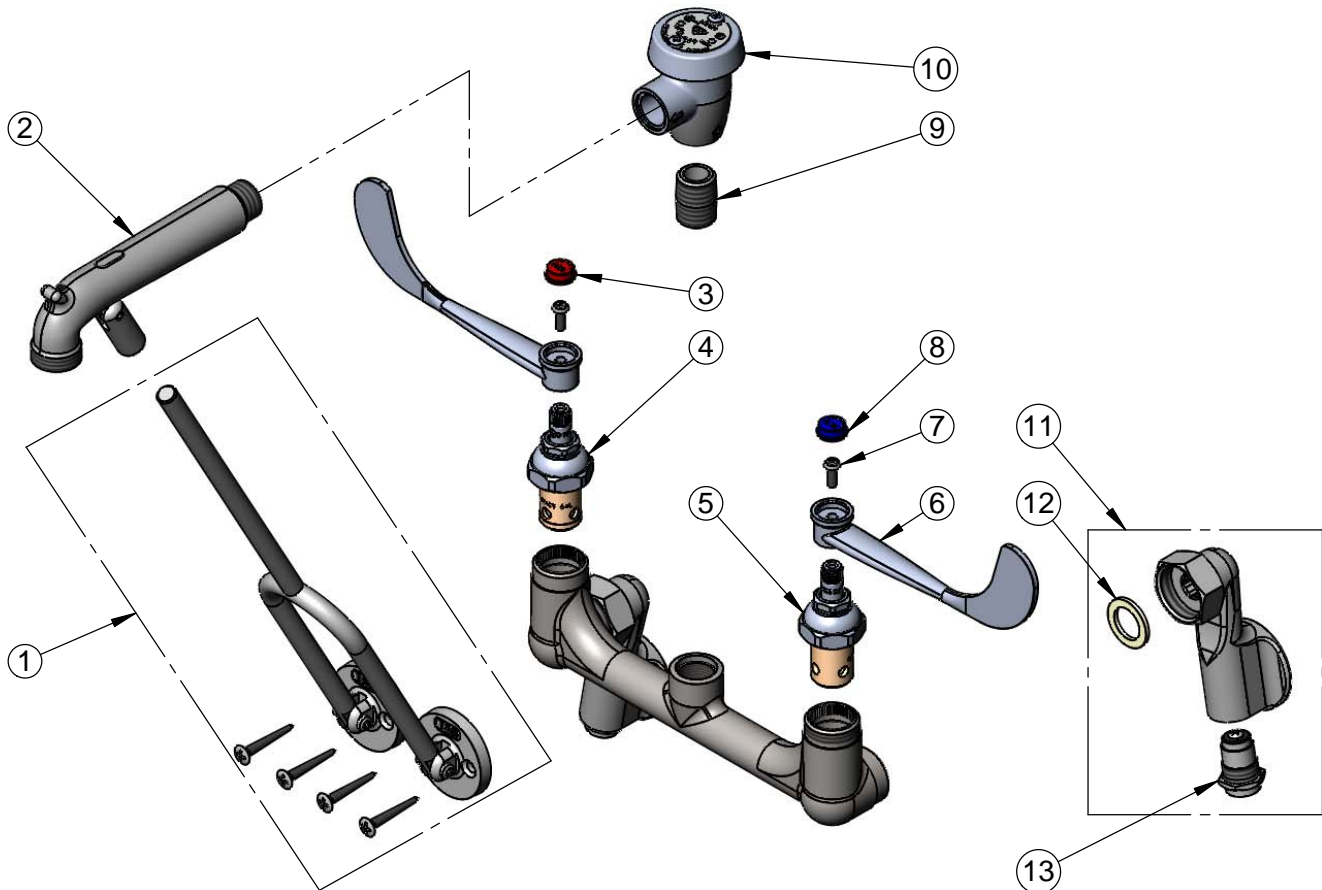
T&S BRASS AND BRONZE WORKS, INC.
 2 Saddleback Cove / P.O. Box 1088
 Travelers Rest, SC 29690

Model No.
B-0655-01

Item No.

Travelers Rest, SC: 800-476-4103 • Simi Valley, CA: 800-423-0150 • Fax: 864-834-3518 • www.tsbrass.com

ITEM NO.	SALES NO.	DESCRIPTION
1	009616-40	Lower Support Rod w/ Mounting Screws
2	016450-40	Spout, Polished Chrome w/ Bottom Support Clevis
3	001194-45	Red Index - HW
4	012443-40	Eterna Cartridge, RTC w/ Spring Check
5	012442-40	Eterna Cartridge, LTC w/ Spring Check
6	B-WH6	6" Wrist Action Handle
7	000925-45	Lab Handle Screw </td
8	001686-45	Blue Index - CW
9	002534-25	Close Nipple, 1/2" NPT
10	B-0969	1/2" NPT Vacuum Breaker
11	00XX	1/2" NPT Adjustable Inlet Flange w/ Screw Driver Stop
12	001019-45	Coupling Nut Washer
13	163A	Built-in Service Stops



Product Specifications:

Adjustable Wall Mount Service Sink Faucet, Eterna Cartridges w/ Spring Checks, 6" Wrist Action Handles, Lower Support Rod, 1/2" NPT Adjustable Inlets w/ Supply Stops, Male Garden Hose Outlet, Polished Chrome Finish & 1/2" NPT Vacuum Breaker

Product Compliance:

ASME A112.18.1 / CSA B125.1
 NSF 61 - Section 9
 NSF 372 (Low Lead Content)
 ANSI A117.1 (ADA)
 ASSE 1001 (VB)



T&S BRASS AND BRONZE WORKS, INC.

2 Saddleback Cove / P.O. Box 1088
Travelers Rest, SC 29690

Model No.

B-0655-02

Item No.

Travelers Rest, SC: 800-476-4103 • Simi Valley, CA: 800-423-0150 • Fax: 864-834-3518 • www.tsbrass.com



ADA Compliant

This Space for Architect/Engineer Approval

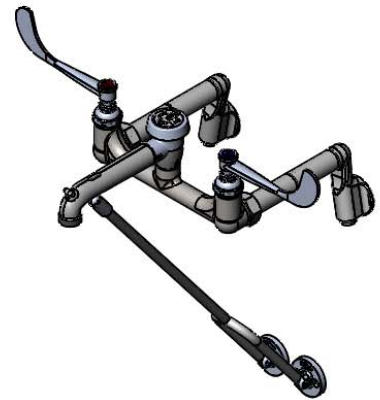
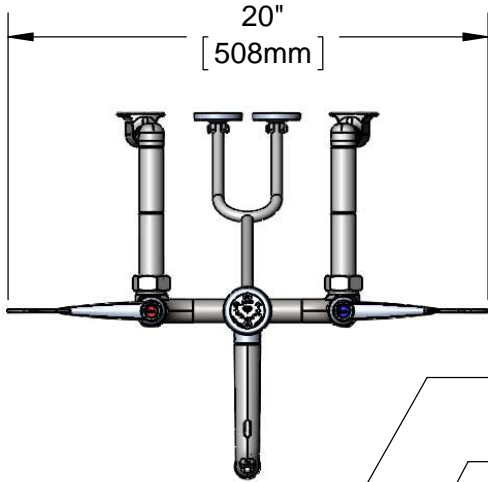
Job Name _____ Date _____

Model Specified _____ Quantity _____

Customer/Wholesaler _____

Contractor _____

Architect/Engineer _____



B-0969
1/2" NPT Vacuum Breaker

Eterna Cartridges w/
Spring Checks &
6" Wrist Action Handles
w/ Color Coded Indexes

Garden Hose
Male Outlet

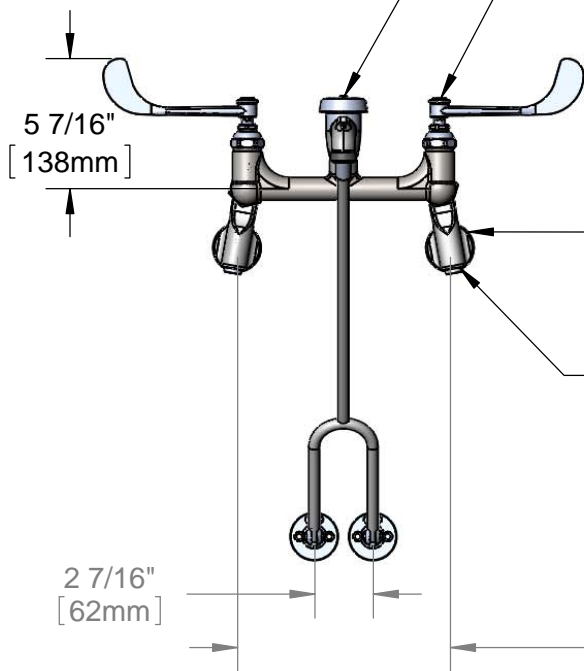
Extension
Bushings

Ø 2" [51mm]
Flanges w/
1/2" NPT
Female Inlets

Built-In Service
Stops

Lower Wall Support
Rod w/ Wall Bracket
& Mounting Screws

Inlets Adjustable
from 3 1/4" [83mm]
to 12 3/4" [324mm]
Below or Above
Centerline



1 1/8"
[28mm]

14 1/2"
[368mm]

8 1/4"
[209mm]

14 11/16"
[374mm]

Mounting Surface

Product Specifications:

Adjustable Wall Mount Service Sink Faucet, Eterna Cartridges w/ Spring Checks, 6" Wrist Action Handles, Lower Support Rod, Garden Hose Male Outlet, Polished Chrome Finish, 1/2" NPT Vacuum Breaker & 1/2" NPT Extended Adjustable Inlets w/ Built-In Service Stops

Product Compliance:

ASME A112.18.1 / CSA B125.1
NSF 61 - Section 9
NSF 372 (Low Lead Content)
ANSI A117.1 (ADA)
ASSE 1001 (VB)



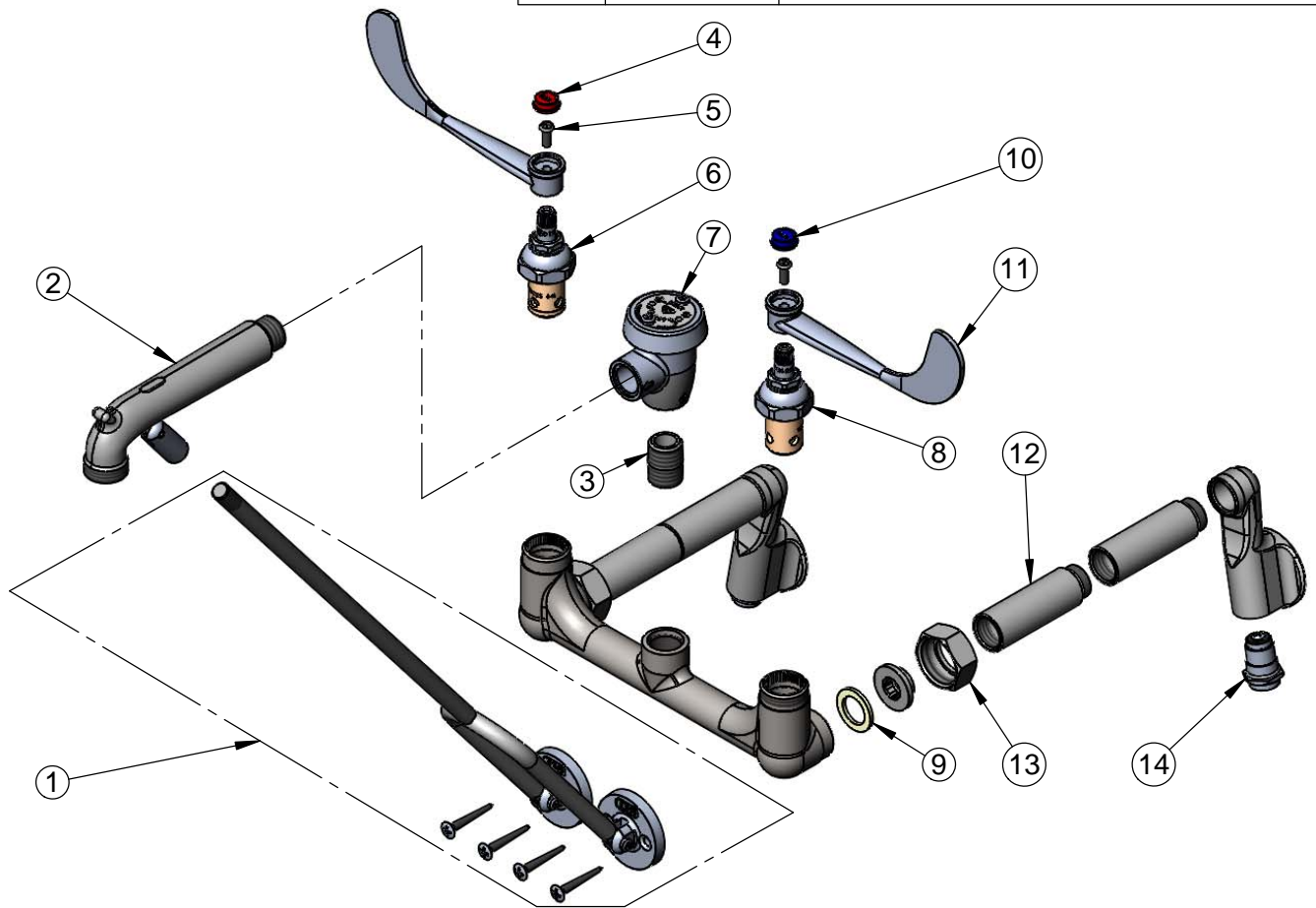
T&S BRASS AND BRONZE WORKS, INC.
 2 Saddleback Cove / P.O. Box 1088
 Travelers Rest, SC 29690

Model No.
B-0655-02

Item No.

Travelers Rest, SC: 800-476-4103 • Simi Valley, CA: 800-423-0150 • Fax: 864-834-3518 • www.tsbrass.com

ITEM NO.	SALES NO.	DESCRIPTION
1	015476-40	Lower Support Rod w/ Mounting Screws
2	016450-40	Spout, Polished Chrome w/ Bottom Support
3	002534-25	Close Nipple, 1/2" NPT
4	001194-45	Red Index - HW
5	000925-45	Lab Handle Screw
6	012443-40	Eterna Cartridge, RTC w/ Spring Check
7	B-0969	1/2" NPT Vacuum Breaker
8	012442-40	Eterna Cartridge, LTC w/ Spring Check
9	001019-45	Coupling Nut Washer
10	001686-45	Blue Index - CW
11	B-WH6	6" Wrist Action Handle
12	000610-25	Extension, 2 3/4" Long
13	000721-25	Flange Coupling Nut
14	163A	Built-in Service Stop



Product Specifications:

Adjustable Wall Mount Service Sink Faucet, Eterna Cartridges w/ Spring Checks, 6" Wrist Action Handles, Lower Support Rod, Garden Hose Male Outlet, Polished Chrome Finish, 1/2" NPT Vacuum Breaker & 1/2" NPT Extended Adjustable Inlets w/ Built-In Service Stops

Product Compliance:

ASME A112.18.1 / CSA B125.1
 NSF 61 - Section 9
 NSF 372 (Low Lead Content)
 ANSI A117.1 (ADA)
 ASSE 1001 (VB)



T&S BRASS AND BRONZE WORKS, INC.

2 Saddleback Cove / P.O. Box 1088
Travelers Rest, SC 29690

Model No.

B-0652

Item No.

Travelers Rest, SC: 800-476-4103 • Simi Valley, CA: 800-423-0150 • Fax: 864-834-3518 • www.tsbrass.com

This Space for Architect/Engineer Approval

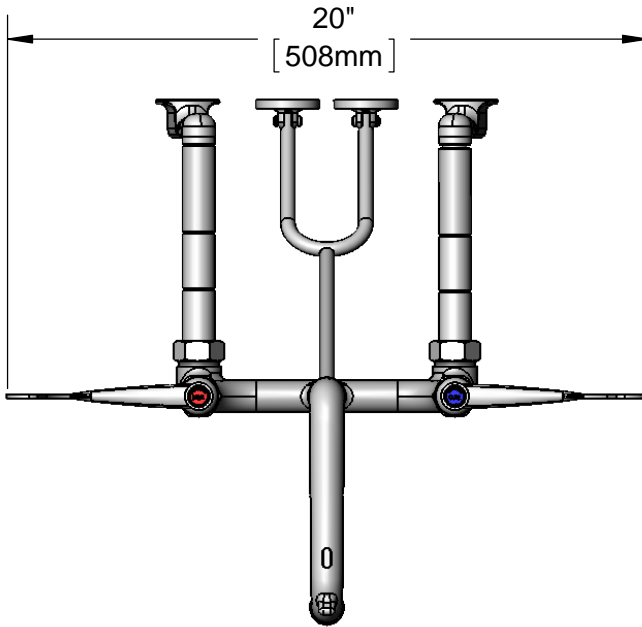
Job Name _____ Date _____

Model Specified _____ Quantity _____

Customer/Wholesaler _____

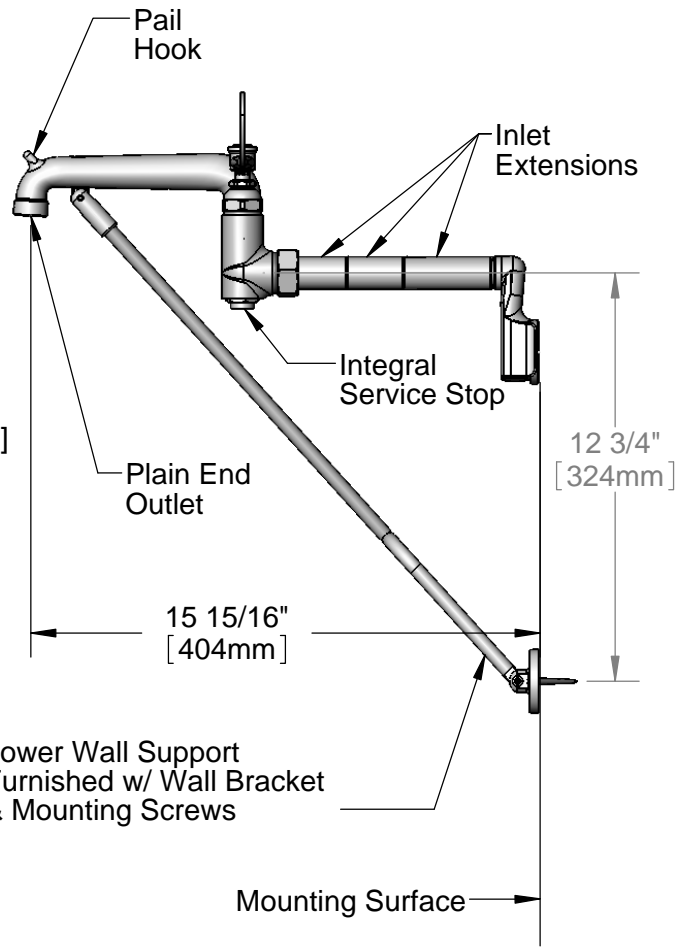
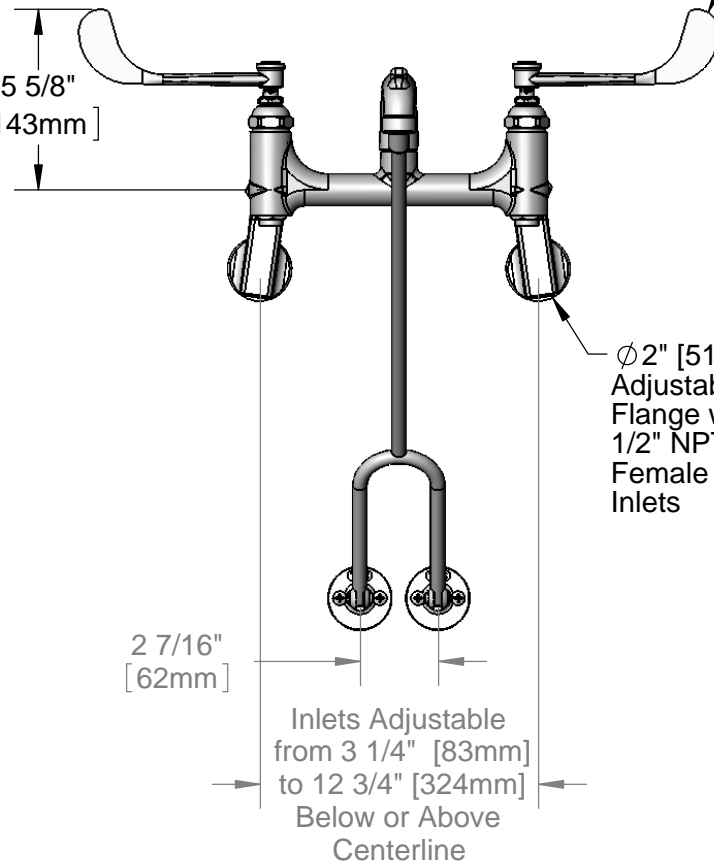
Contractor _____

Architect/Engineer _____



ADA Compliant

Eterna Cartridges w/
Spring Checks &
6" Wrist Action Handle
w/ Color Coded Indexes



Product Specifications:

8" Wall Mount Service Sink Faucet, Polished Chrome Finish, Eterna Cartridges w/ Spring Checks, 6" Wrist Action Handles, Spout w/ Plain End Outlet, Built-In Service Stops, Lower Support Rod & 1/2" NPT Extended Inlets

Product Compliance:

ASME A112.18.1 / CSA B125.1
NSF 61 - Section 9
NSF 372 (Low Lead Content)
ANSI A117.1 (ADA)



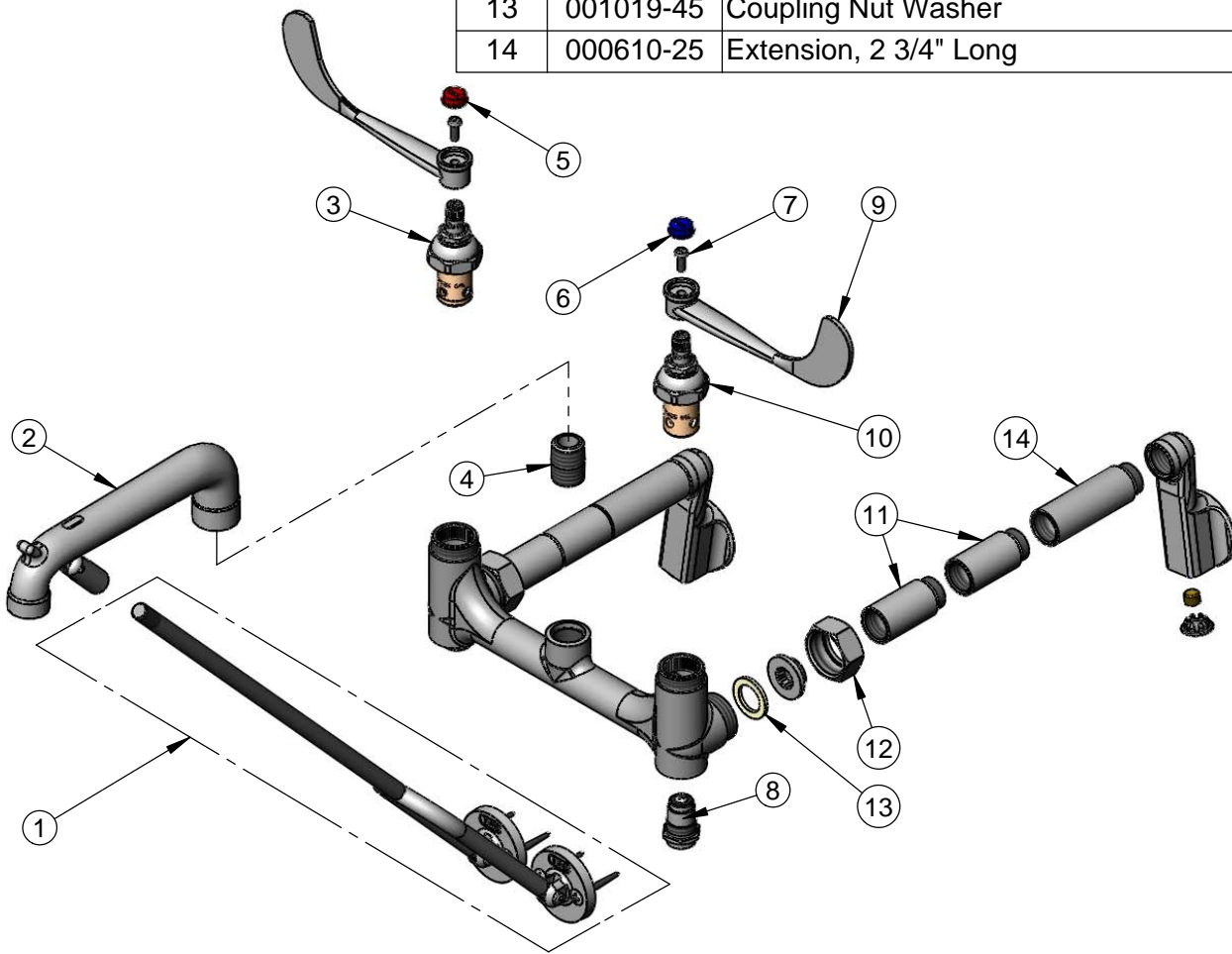
T&S BRASS AND BRONZE WORKS, INC.
 2 Saddleback Cove / P.O. Box 1088
 Travelers Rest, SC 29690

Model No.
B-0652

Item No.

Travelers Rest, SC: 800-476-4103 • Simi Valley, CA: 800-423-0150 • Fax: 864-834-3518 • www.tsbrass.com

ITEM NO.	SALES NO.	DESCRIPTION
1	015476-40	Lower Support Rod w/ Mounting Screws
2	016844-40	Plain End Spout w/ Lower Clevis - Polished Chrome
3	012443-40	Eterna Cartridge, RTC w/ Spring Check
4	002534-25	Close Nipple, 1/2" NPT
5	001194-45	Red Index - HW
6	001686-45	Blue Index - CW
7	000925-45	Lab Handle Screw
8	163A	Built-in Screwdriver Stops
9	B-WH6	6" Wrist Action Handle
10	012442-40	Eterna Cartridge, LTC w/ Spring Check
11	000611-25	Extension, 1 3/4" Long
12	000721-25	Flange Coupling Nut
13	001019-45	Coupling Nut Washer
14	000610-25	Extension, 2 3/4" Long



Product Specifications:
 8" Wall Mount Service Sink Faucet, Polished Chrome Finish, Eterna Cartridges w/ Spring Checks, 6" Wrist Action Handles, Spout w/ Plain End Outlet, Built-In Service Stops, Lower Support Rod & 1/2" NPT Extended Inlets

Product Compliance:
 ASME A112.18.1 / CSA B125.1
 NSF 61 - Section 9
 NSF 372 (Low Lead Content)
 ANSI A117.1 (ADA)