



Limited One Year Warranty

T&S warrants to the original purchaser (other than for purposes of resale) that such product is free from defects in material and workmanship for a period of one (1) year from the date of purchase. During this one-year warranty period, if the product is found to be defective, T&S shall, at its options, repair and/or replace it. To obtain warranty service, products must be returned to...

T&S Brass and Bronze Works, Inc.
Attn: Warranty Repair Department
2 Saddleback Cove
Travelers Rest, SC 29690

Shipping, freight, insurance, and other transportation charges of the product to T&S and the return of repaired or replaced product to the purchaser are the responsibility of the purchaser. Repair and/or replacement shall be made within a reasonable time after receipt by T&S of the returned product. This warranty does not cover items which have received secondary finishing or have been altered or modified after purchase, or for defects caused by physical abuse to or misuse of the product, or shipment of the products.

Any express warranty not provided herein, and any remedy for Breach of Contract which might arise, is hereby excluded and disclaimed. Any implied warranties of merchantability or fitness for a particular purpose are limited to one year in duration. Under no circumstances shall T&S be liable for loss of use or any special consequential costs, expenses or damages.

Some states do not allow limitations on how long an implied warranty lasts or the exclusion or limitation of incidental or consequential damages, so the above limitations or exclusions may not apply to you. Specific rights under this warranty and other rights vary from state to state.

P/N: 098-003161-45 Rev.1
Date: 980304
Drawn: CW
Checked: JLT 4-14-98
Approved: MW 4-14-98

Installation and Maintenance Instructions



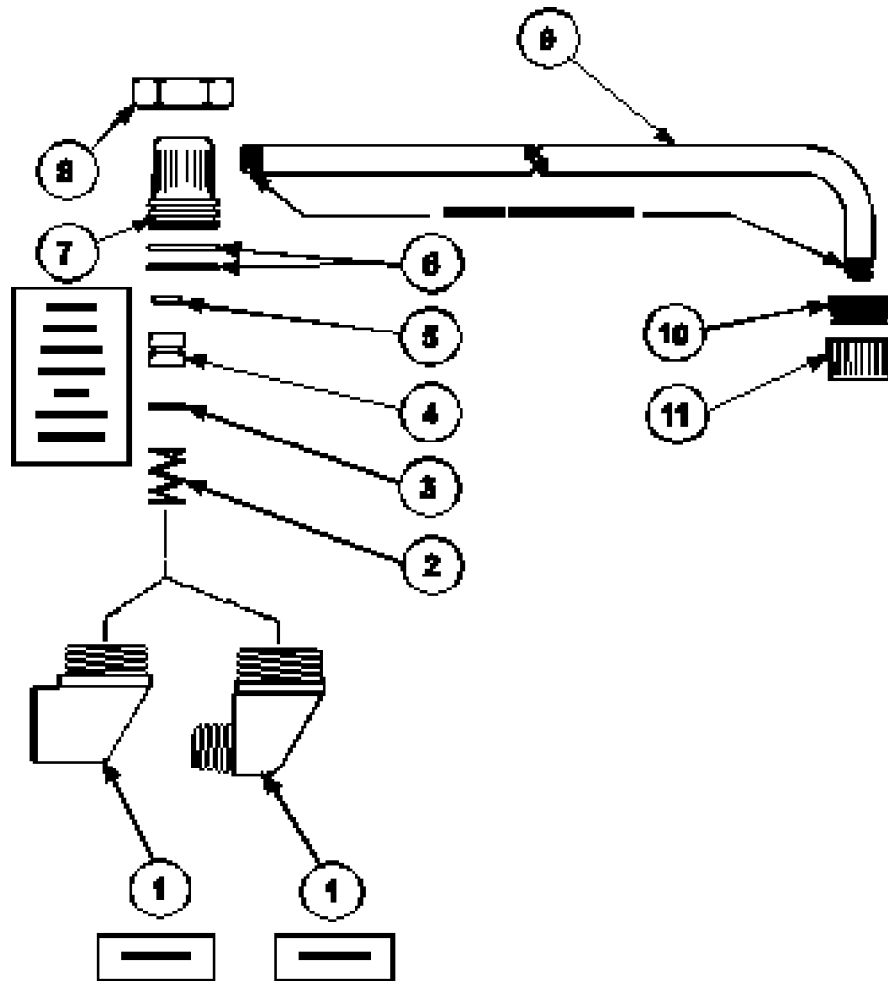
Range Faucet "Wok Wand" (B-0575 shown)

**Deutsch: Installations- und
Wartungsanleitungen**

**Español: la Instalación y las
Instrucciones de
Mantenimiento**

**Français: les Instructions
d'Installation et
d'Entretien**

Exploded View



* Some items are listed for instructional purposes and may not be sold as separate parts.

Part Number Guide

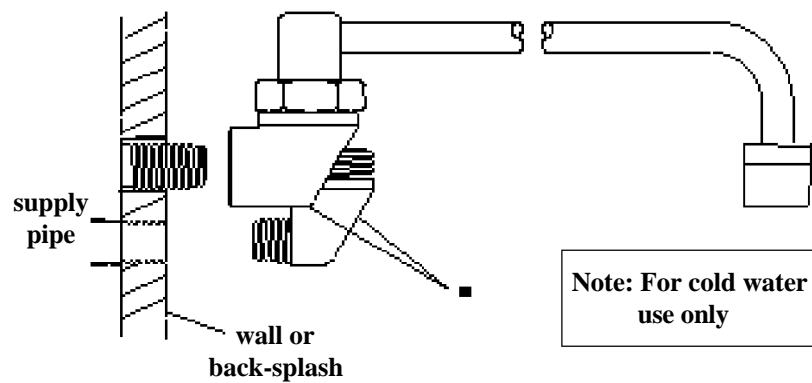
Range Faucet Assemblies

1	Asm, Faucet Body (B-0575 & B-0576)	*
2	Spring, 'O'-Ring Brg.	001625-45
3	'O'-Ring, (.070 C/S x .364 I.D.)	009267-45
4	Dynamic Bearing	001621-20
5	'O'-Ring, (.103 C/S x .206 I.D.)	009268-45
6	'O'-Ring, Center Body	001069-45
7	Swivel Piece	*
8	Nut, Swivel	*
9	Nozzle	*
10	Adapter, 1/8 Fe	001624-25
11	Aerator	B-0199-01

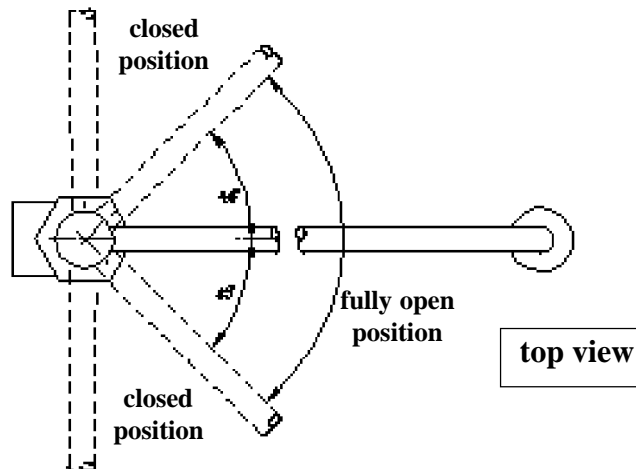
General Instructions

Installation:

1. Shut off water supply and drain lines. Existing supply lines should be roughed into wall or sink back-splash. Use inlets (male for B-0575, female for B-0576) supplied by others.
2. Install no.1 to supply line, using teflon tape. Flat side of no.1 should screw in toward wall or sink.



3. Prop
On-Off

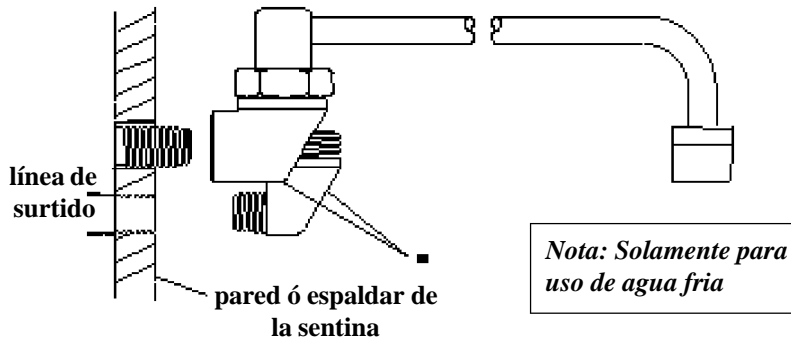


Instrucciones Generales

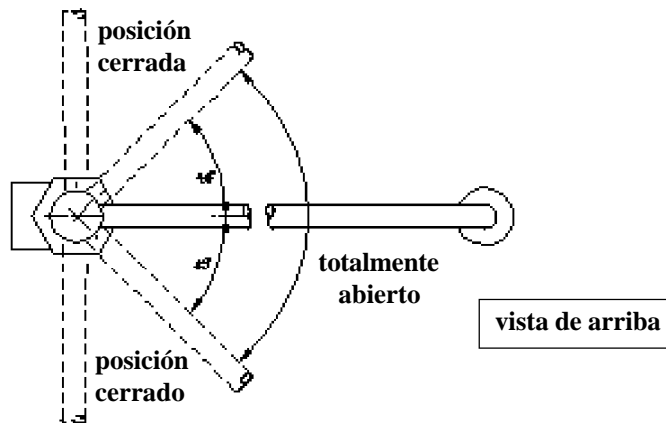
Instalación:

1. Cierre la fuente principal de agua y desagüe las tuberías. Las líneas existentes de surtido, deben de ser aproximadas en la pared ó en el espaldar de la sentina. Use entradas (*masculinas para B-0575, femeninas para B-0576*) surtidas por otros.

2. Instale la parte No.1 a la línea del surtido, usando cinta para rosca de tubo. El reborde de la parte No.1 debe ser atornillado hacia el tronco. Una vez que la parte No.1 este en su lugar, ajuste el reborde contra la pared ó la sentina.



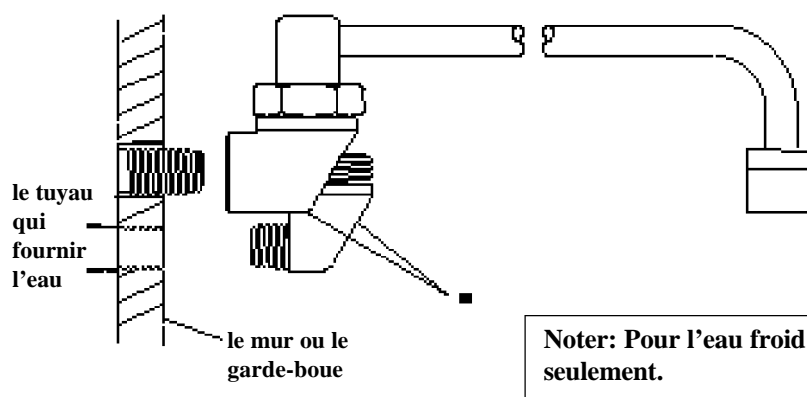
3. Una unidad que este instalada apropiadamente funcionará como esta demostrado: Control de abierto y cerrado es activado cuando la boquilla se mueve a la derecha ó a la izquierda.



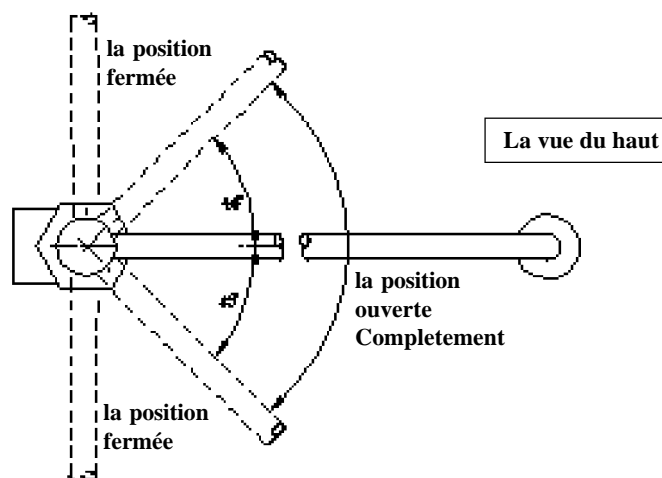
Instructions Générales

L'Installation:

1. Fermer la réserve de l'eau et égoutter la tuyauterie. Les tuyaux qui fournir l'eau doivent être installés au début dans le mur ou le garde-boue de l'évier. Utiliser les arrivées (*Masculin pour B-0575, féminin pour B-0576*) fournies par les autres.
2. Installer N°.1 au tuyau qui fournit l'eau, utiliser le ruban en Téflon. Le côté plat de N°.1 doit visser vers le mur ou l'évier.



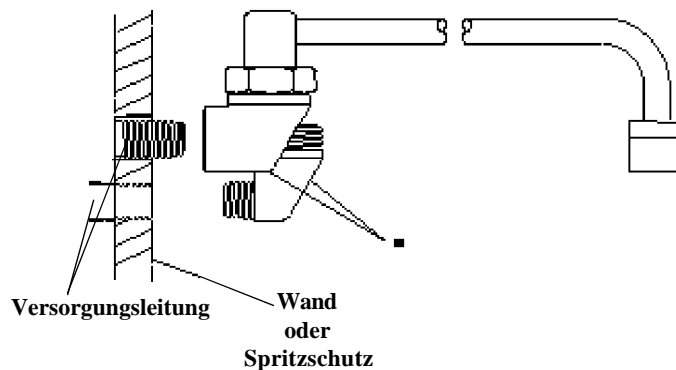
3. Un élément que vous installez correctement va fonctionner comme indiqué au-dessous: Le contrôle fermer-ouvert commence quand l'ajutage pivote au droit ou à gauche.



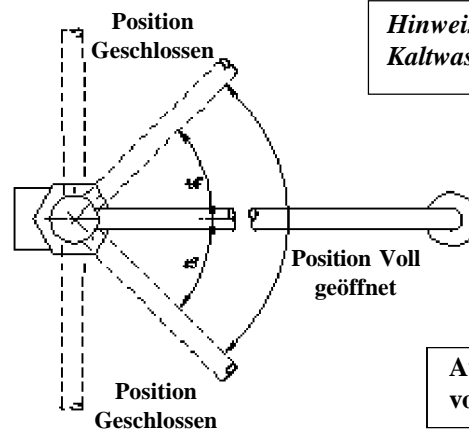
Allgemeine Anleitungen

Installation:

1. Wasserzufuhr sperren und Leitungen. Vorhandene Versorgungsleitungen sollten in die Wand oder den Spritzschutz des Beckens geschruppt werden. Einlaßventile (*männlich für B-0575, weiblich für B-0576*) von Fremdanbietern verwenden.
2. Teil Nr. 1 an Versorgungsleitung installieren, Teflonband verwenden Flansch von Teil Nr. 1 in Körperrichtung einschrauben. Nach dem Einschrauben von Teil Nr. 1 Flansch an Wand oder Waschbecken festschrauben.



3. Die ordnungsgemäß installierte Einheit funktioniert wie unten dargestellt: Ein/Aus-Kontrolle wird aktiviert, wenn die Düse nach links oder rechts schwenkt.



RELATED T&S BRASS PRODUCT LINE



**B-0592
Pot and Kettle
Filling Faucet**

T&S BRASS AND BRONZE WORKS, INC.

A firm commitment to application-engineered plumbing products



2 Saddleback Cove, P.O. Box 1088,
Travelers Rest, SC 29690

Phone: (864) 834-4102
Fax: (864) 834-3518

E-mail: tsbrass@tsbrass.com

T & S Brass-Europe
'De Veenhoeve'
Oude Nieuwveenseweg 84
2441 CW Nieuwveen
The Netherlands