



T&S BRASS AND BRONZE WORKS, INC.

2 SADDLEBACK COVE / P.O. BOX 1088 / TRAVELERS REST, SC 29690

PHONE 800-476-4103

FAX 864-834-3518

Model No.

B-0534

Item No.:

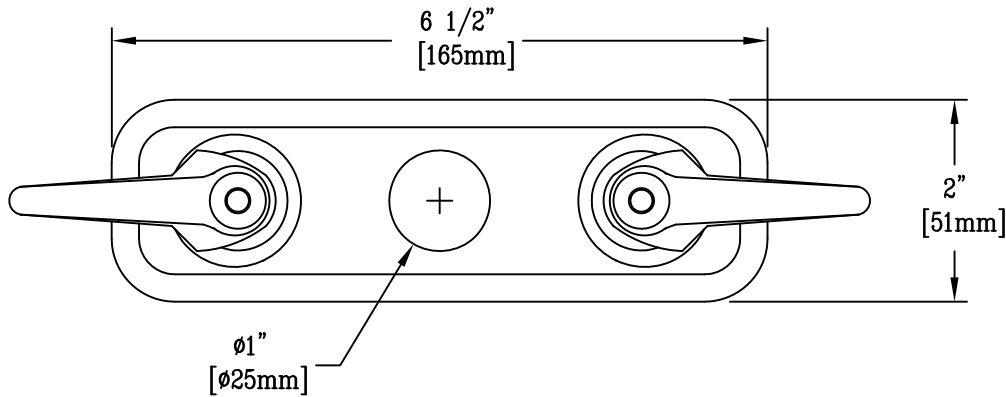
Job Name:

Architect/Engineer Approval:

Notes:

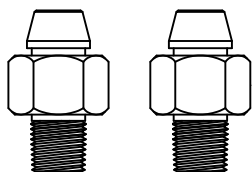
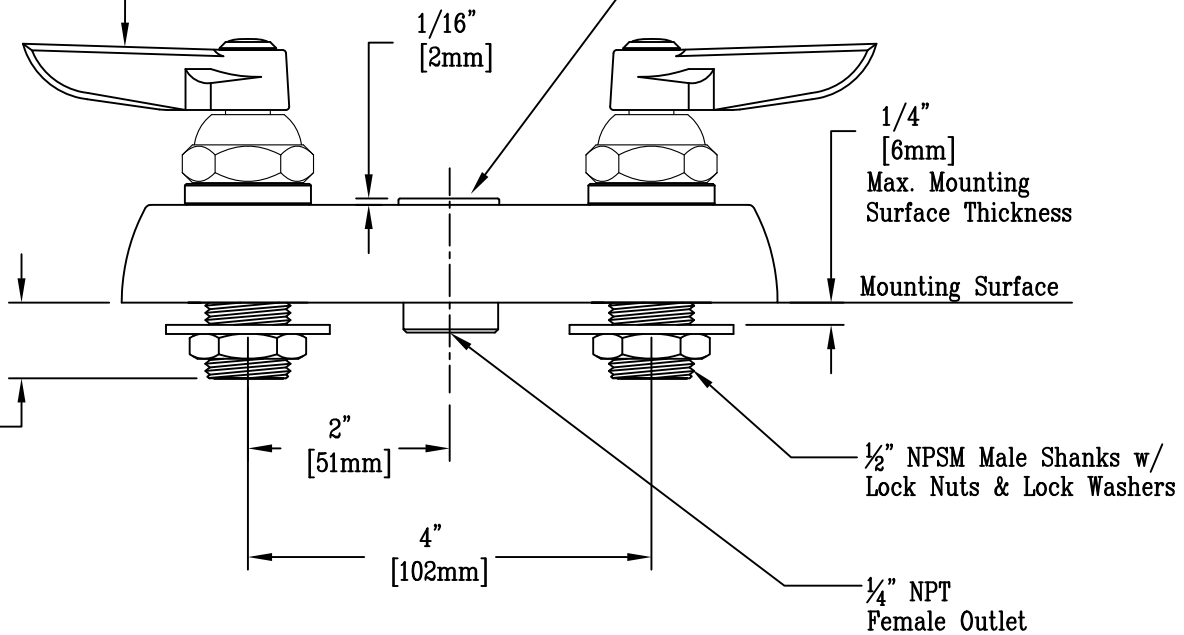


ADA Compliant



Lever Handles
w/ Color Coded
Indexes

Blank (Unthreaded)
Protrusion thru
Escutcheon



150A Tailpiece and Nut
Furnished for 1/4" NPT
Connection

Note: Rough-In Requirement
(3) 1" [25mm] Mounting Holes

Product Description:

4" c/c Workboard Faucet w/ Lever Handles,
1/4" NPT Female Outlet & 1/2" NPSM Male Shanks

Drawn:

KJG

Checked

JRM

Scale:

1 : 2

Approved

JHB

Date:

01/13/12