



T&S BRASS AND BRONZE WORKS, INC.

2 SADDLEBACK COVE / P.O. BOX 1088 / TRAVELERS REST, SC 29690

PHONE 800-476-4103

FAX 864-834-3518



REG.#A2601  
ISO #9002

Model No.

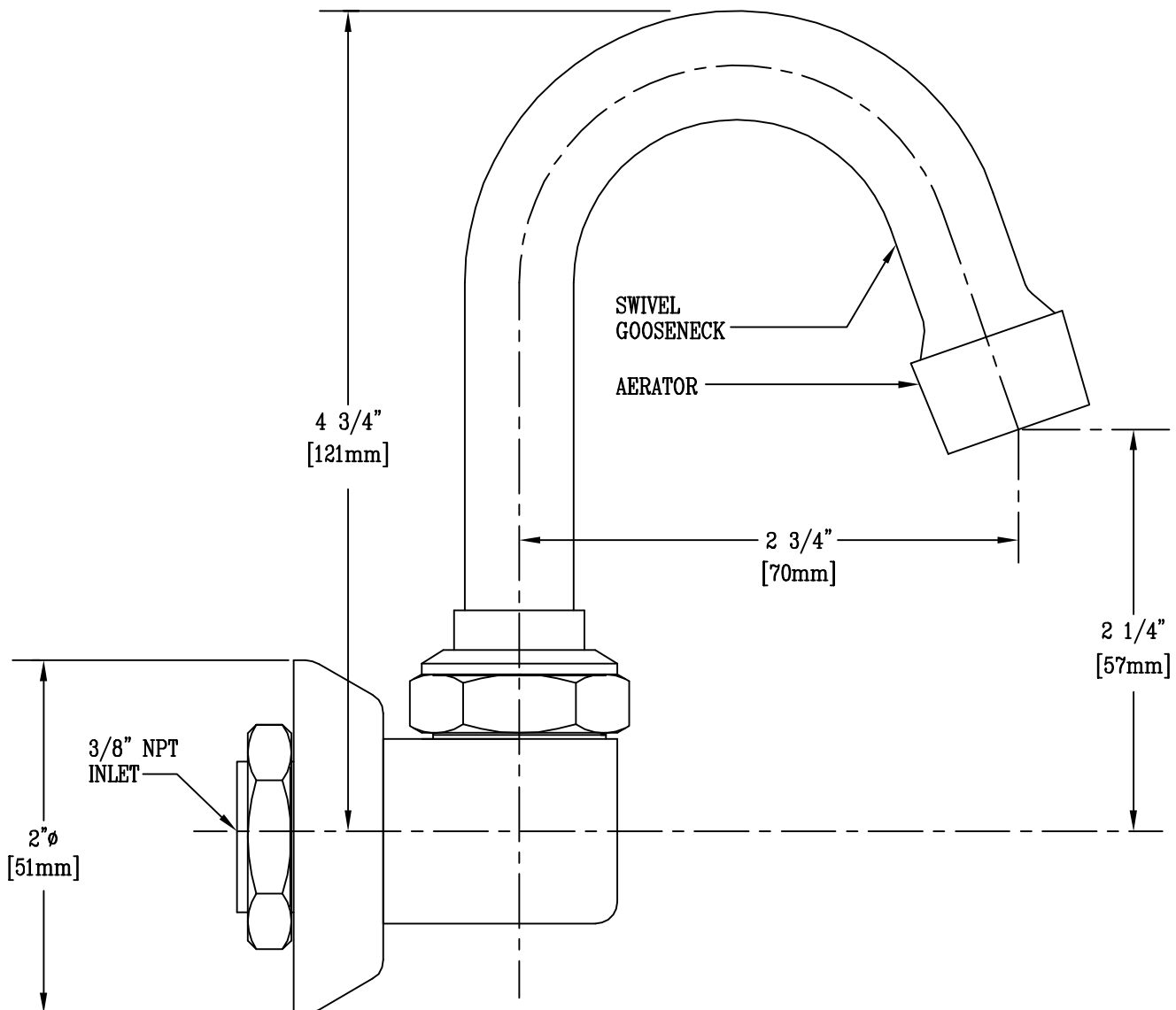
B-0529

Item No.:

Job Name:

Architect/Engineer Approval:

Notes:



Product Description:

WALL MOUNTED SWIVEL GOOSENECK  
WITH AERATOR

Drawn:

WJS

Checked:

ARD

Scale:

6" = 1'

Approved

CA

Date:

6/26/95