



T&S BRASS AND BRONZE WORKS, INC.

2 Saddleback Cove / P.O. Box 1088
Travelers Rest, SC 29690



REG. #A2601
ISO #9001

Model No.

B-0520

Item No.

Travelers Rest, SC: 800-476-4103 Simi Valley, CA: 800-423-0150 Fax: 864-834-3518 www.tsbrass.com

This Space for Architect/Engineer Approval

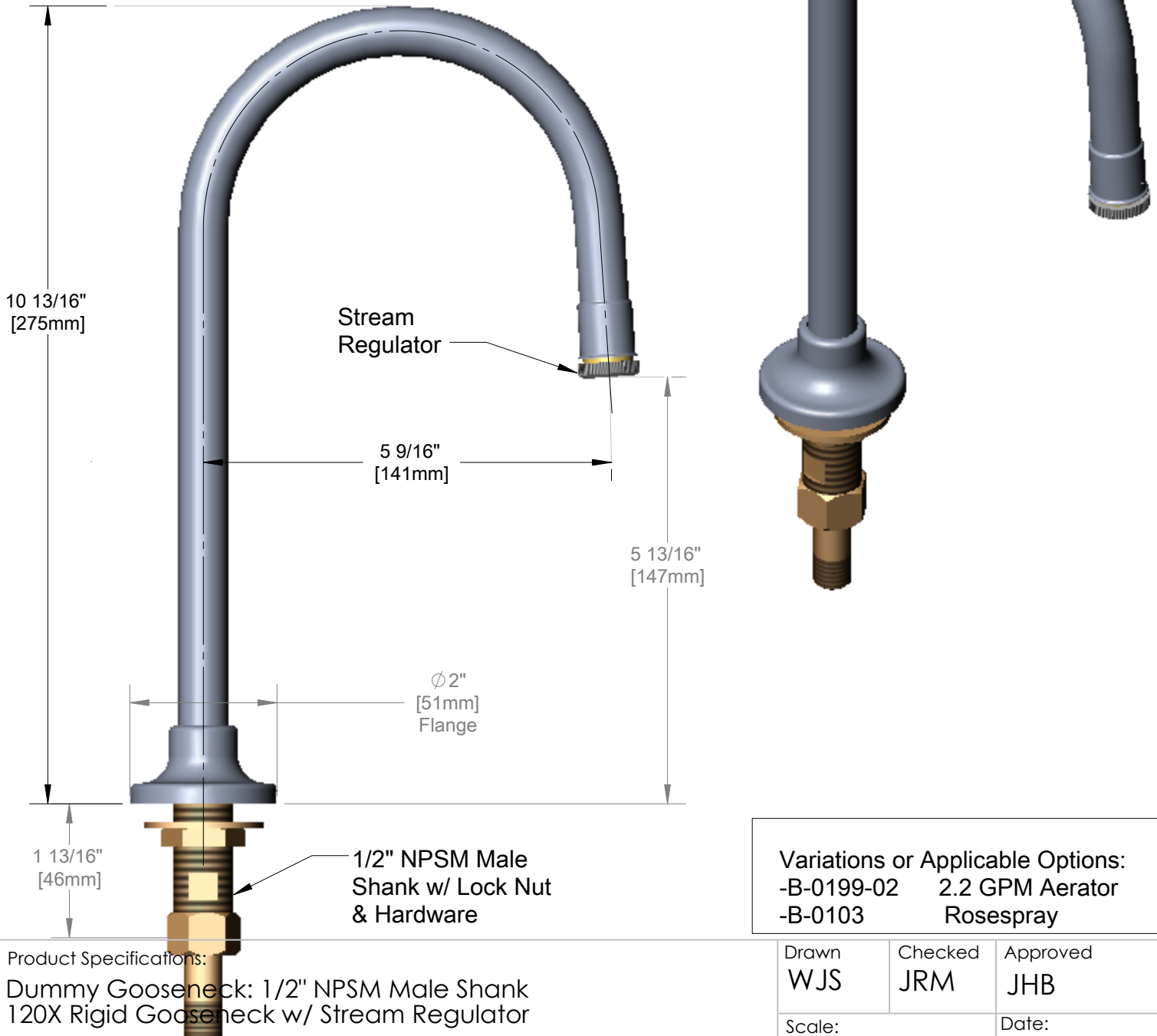
Job Name _____ Date _____

Model Specified _____ Quantity _____

Customer/Wholesaler _____

Contractor _____

Architect/Engineer _____



Variations or Applicable Options:
 -B-0199-02 2.2 GPM Aerator
 -B-0103 Rosespray

Product Specifications:
 Dummy Gooseneck: 1/2" NPSM Male Shank
 120X Rigid Gooseneck w/ Stream Regulator

Drawn WJS	Checked JRM	Approved JHB
Scale: 1:2		Date: 12/04/06



T&S BRASS AND BRONZE WORKS, INC.

2 Saddleback Cove / P.O. Box 1088
Travelers Rest, SC 29690

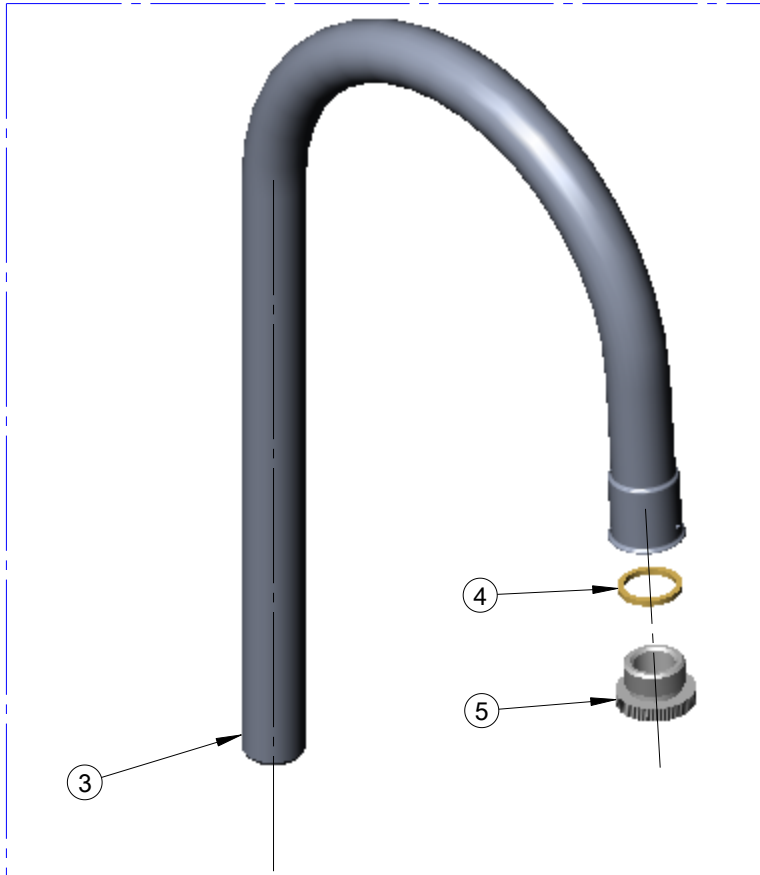


REG. #A2601
ISO #9001

Model No.
B-0520

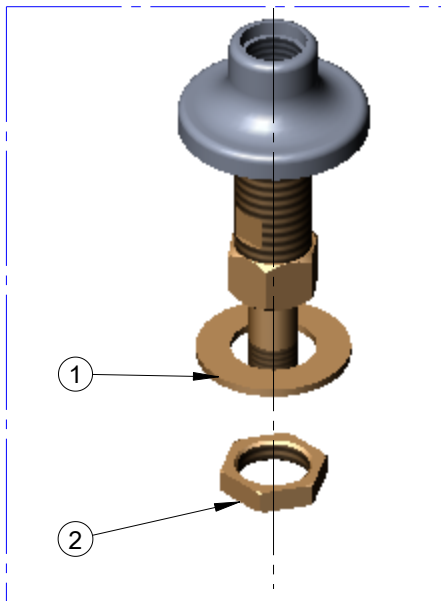
Item No.

Travelers Rest, SC: 800-476-4103 Simi Valley, CA: 800-423-0150 Fax: 864-834-3518 www.tsbrass.com



ITEM	PART NO.	DESCRIPTION
1	007361-45	Brass Lock Washer
2	002954-45	Shank Lock Nut
3	000398-40	Rigid Gooseneck
4	009636-45	Washer
5	B-LT	Stream Regulator
7	000958-20	Coupling Nut
8	001592-20	1/4" NPT Tailpiece

For Complete Rigid Gooseneck:
Specify 120X



For Complete Base:
Specify B-0430

Product Specifications:

Dummy Gooseneck: 1/2" NPSM Male Shank
120X Rigid Gooseneck w/ Stream Regulator

Drawn WJS	Checked JRM	Approved JHB
Scale: 1:2		Date: 12/04/06



T&S BRASS AND BRONZE WORKS, INC.
 2 SADDLEBACK COVE / P.O. BOX 1088 / TRAVELERS REST, SC 29690
 PHONE 800-476-4103 - FAX 864- 834-3518



Model No.

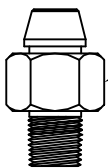
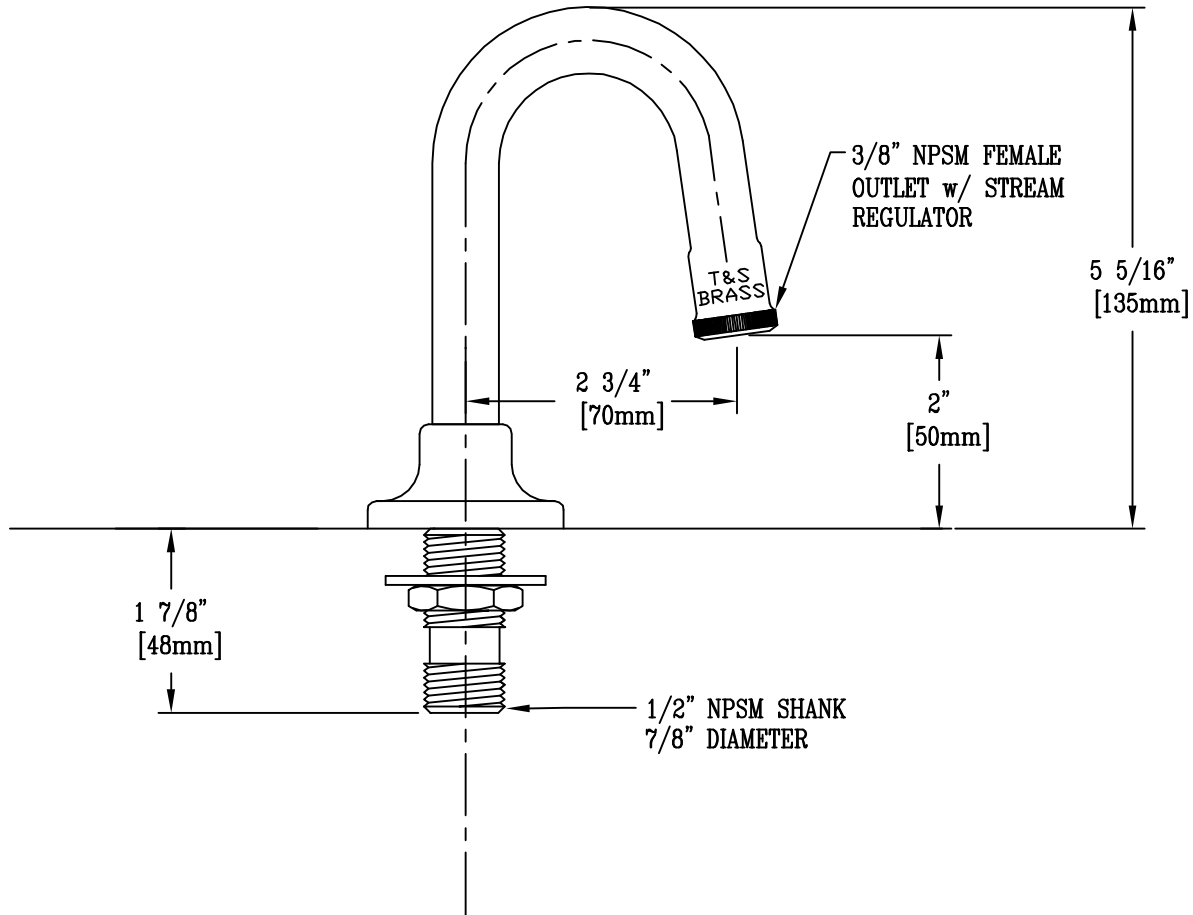
B-0520-01

**RELIABILITY
 BUILT IN**

Job Name:

Architect/Engineer Approval:

Notes:



150A TAILPIECE
 AND NUT FURNISHED
 FOR OPTIONAL
 1/4" NPT CONNECTION

Product Description:

DECK MOUNT DUMMY RIGID GOOSENECK
 WITH STREAM REGULATOR

Drawn:

PRJ

Checked

WJS

Scale:

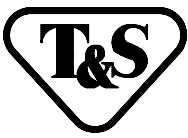
1 : 2

Approved

MVW

Date:

05/23/02



T&S BRASS AND BRONZE WORKS, INC.
 2 SADDLEBACK COVE / P.O. BOX 1088 / TRAVELERS REST, SC 29690
 PHONE 800-476-4103 - FAX 864- 834-3518

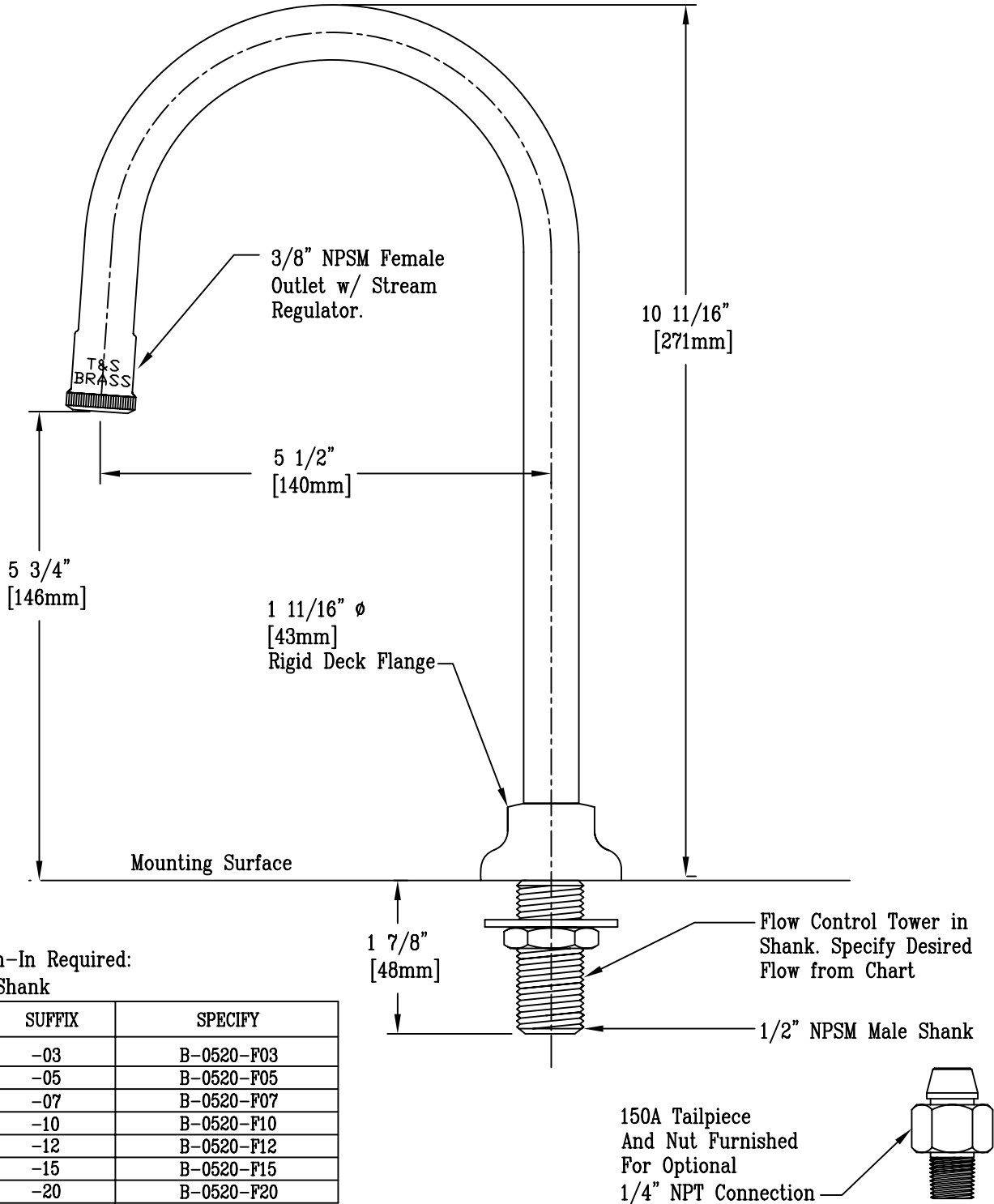


Model No.
B-0520-F SERIES
RELIABILITY BUILT IN

Job Name:

Architect/Engineer Approval:

Notes:



FLOW (GPM \pm 15%)	SUFFIX	SPECIFY
0.25	-03	B-0520-F03
0.40	-05	B-0520-F05
0.70	-07	B-0520-F07
0.90	-10	B-0520-F10
1.20	-12	B-0520-F12
1.40	-15	B-0520-F15
2.00	-20	B-0520-F20

Product Description:

Deck Mount Rigid Dummy Gooseneck,
 B-LT Stream Regulator & Flow Control Options

Drawn:

BHR

Checked

JRM

Scale:

1:2

Approved

JHB

Date:

8/17/07