



# T&S BRASS AND BRONZE WORKS, INC.

2 SADDLEBACK COVE / P.O. BOX 1088 / TRAVELERS REST, SC 29690

PHONE 800-476-4103

FAX 864-834-3518



REG.#A2601  
ISO #9002

Model No.

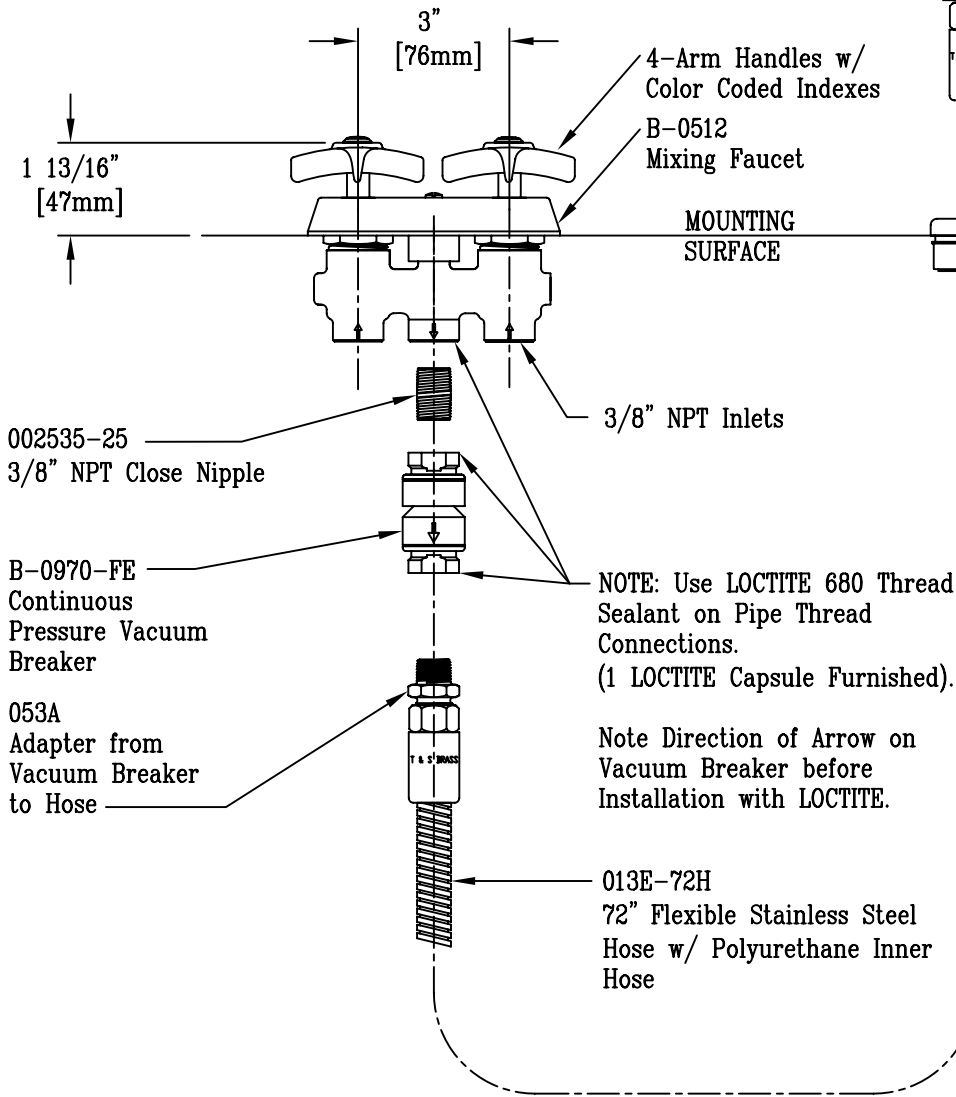
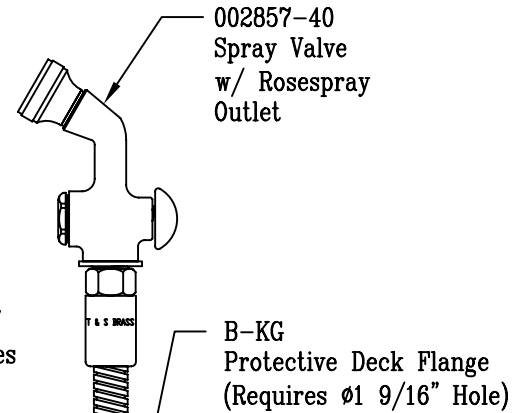
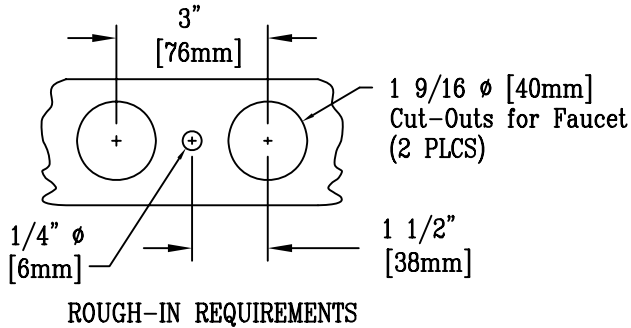
B-0512-0101

Item No.:

Job Name:

Architect/Engineer Approval:

Notes:



**RECOMMENDATION:**  
 (2) B-CV1-2 Check Valves for use on Cold & Hot Inlets for Cross Flow Prevention. (Sold Separately)

Product Description:

Concealed Mixing Faucet w/ 4-Arm Handles, Continuous Pressure Vacuum Breaker, 72" SS Flex Hose, Protective Deck Flange and B-0101 Style Spray Valve

Drawn:

DHL

Checked

DMH

Scale:

1:4

Approved

JHB

Date:

10/16/08