

**T&S BRASS AND BRONZE WORKS, INC.**  
 2 Saddleback Cove / P.O. Box 1088  
 Travelers Rest, SC 29690

Model No.  
**B-0340-LN**

Item No.

Travelers Rest, SC: 800-476-4103 • Simi Valley, CA: 800-423-0150 • Fax: 864-834-3518 • www.tsbrass.com



**ADA Compliant**

This Space for Architect/Engineer Approval

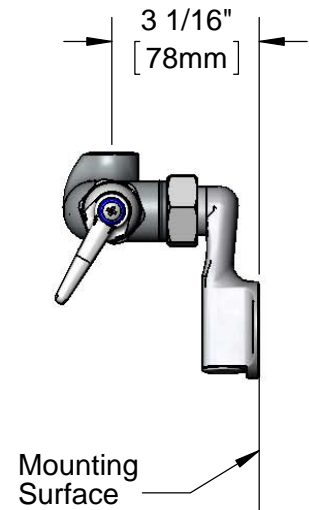
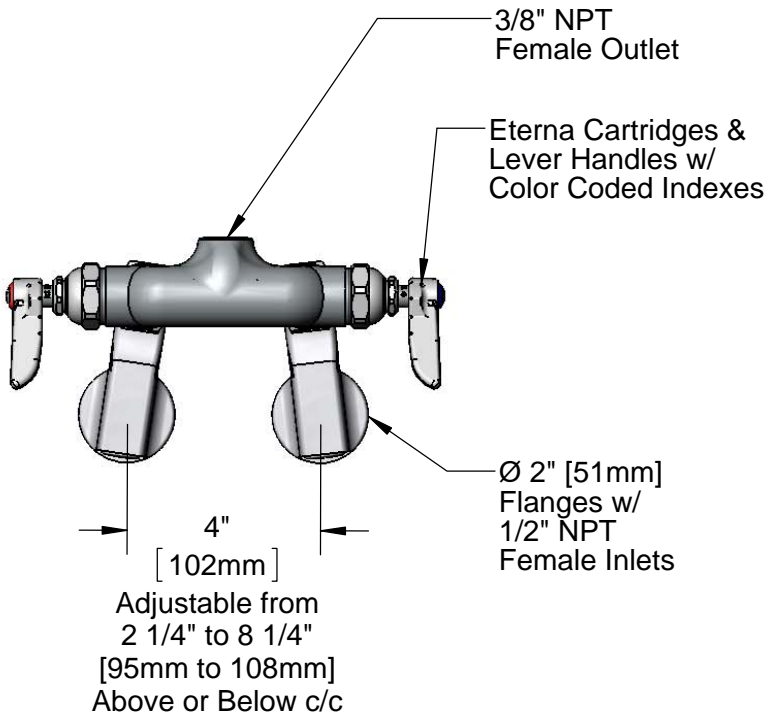
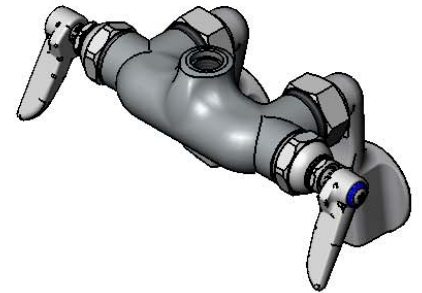
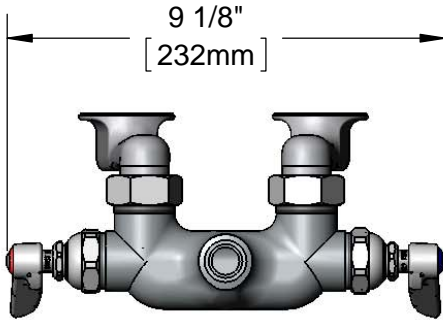
Job Name \_\_\_\_\_ Date \_\_\_\_\_

Model Specified \_\_\_\_\_ Quantity \_\_\_\_\_

Customer/Wholesaler \_\_\_\_\_

Contractor \_\_\_\_\_

Architect/Engineer \_\_\_\_\_



Product Specifications:  
 Wall Mount Mixing Faucet, Eterna Cartridges, Lever Handles,  
 1/2" NPT Adjustable Wall Flanges & Less Gooseneck

Product Compliance:  
 ASME A112.18.1 / CSA B125.1  
 NSF 61 - Section 9  
 NSF 372 (Low Lead Content)  
 ANSI A117.1 (ADA)



# T&S BRASS AND BRONZE WORKS, INC.

2 Saddleback Cove / P.O. Box 1088  
Travelers Rest, SC 29690

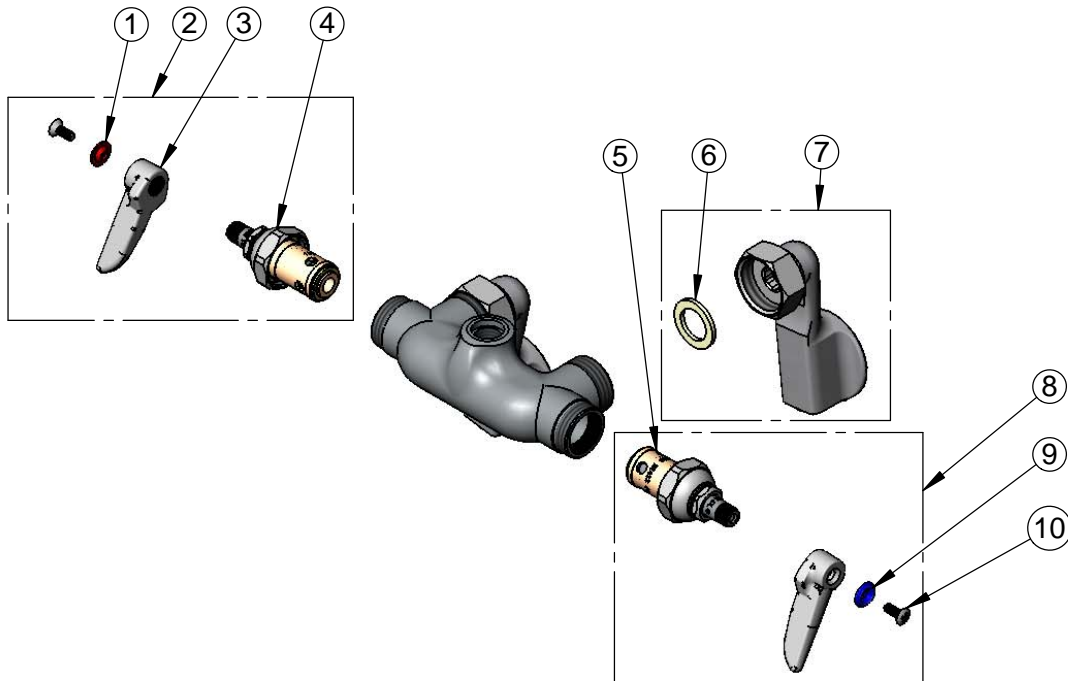
Model No.

**B-0340-LN**

Item No.

Travelers Rest, SC: 800-476-4103 • Simi Valley, CA: 800-423-0150 • Fax: 864-834-3518 • www.tsbrass.com

ITEM NO.	SALES NO.	DESCRIPTION
1	001661-45	Red Index-HW
2	002714-40	Eterna Cartridge, RTC w/ Handle, Index & Screw
3	001638-45	Lever Handle
4	005960-40	Eterna Cartridge, RTC
5	005959-40	Eterna Cartridge, LTC
6	001019-45	Coupling Nut Washer
7	00GG	Flange Assembly, 1/2" NPT, Adjustable
8	002713-40	Eterna Cartridge, LTC w/ Handle, Index & Screw
9	001660-45	Blue Index-CW
10	000922-45	Lever Handle Screw



**Product Specifications:**

Wall Mount Mixing Faucet, Eterna Cartridges, Lever Handles,  
1/2" NPT Adjustable Wall Flanges & Less Gooseneck

**Product Compliance:**

ASME A112.18.1 / CSA B125.1  
NSF 61 - Section 9  
NSF 372 (Low Lead Content)  
ANSI A117.1 (ADA)



**T&S BRASS AND BRONZE WORKS, INC.**  
 2 SADDLEBACK COVE / P.O. BOX 1088 / TRAVELERS REST, SC 29690  
 PHONE 800-476-4103 FAX 803-834-3518



Model No.

B-0342-LN

Item No.:

REG.#A2601  
ISO #9002

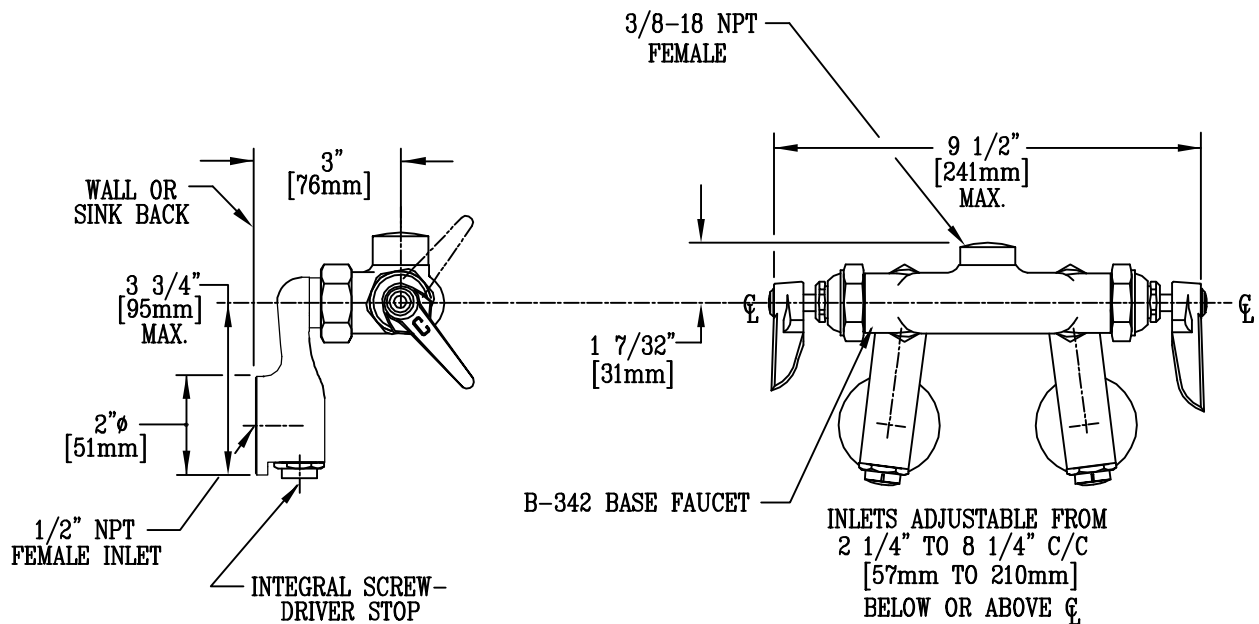
Job Name:

Architect/Engineer Approval:

Notes:



ADA COMPLIANT



NSF STANDARD 61, SECTION 9 CERTIFIED.

Product Description:

COMBINATION SINK FAUCET LESS GOOSENECK,  
 WITH ADJUSTABLE INLET ARMS & INTEGRAL STOPS

Drawn:

LEL

Approved

MVW

Checked

JKD

Scale:

1 : 4

Date:

9/11/02