



T&S BRASS AND BRONZE WORKS, INC.

2 SADDLEBACK COVE / P.O. BOX 1088 / TRAVELERS REST, SC 29690

PHONE 800-476-4103

FAX 864-834-3518



REG.#A2601  
ISO #9002

Model No.

B-0315-LN

Item No.:

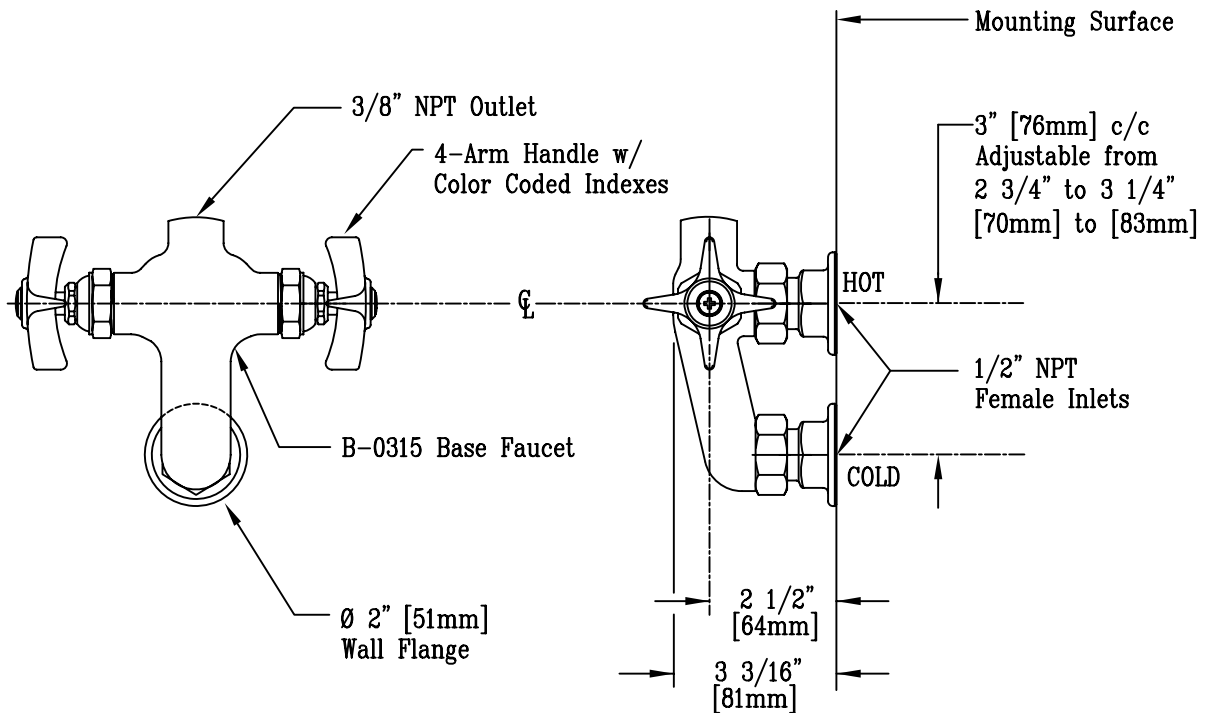
Job Name:

Architect/Engineer Approval:

Notes:



ADA COMPLIANT



Product Description:  
Vertical Mixing Faucet w/ 4-Arm Handles,  
1/2" NPT Inlets, Less Nozzle

Drawn:

DHL

Checked

JRM

Scale:

1:4

Approved

JHB

Date:

02/07/08



T&S BRASS AND BRONZE WORKS, INC.

2 SADDLEBACK COVE / P.O. BOX 1088 / TRAVELERS REST, SC 29690

PHONE 800-476-4103

FAX 864-834-3518



REG.#A2601  
ISO #9002

Model No.

B-0316-LN

Item No.:

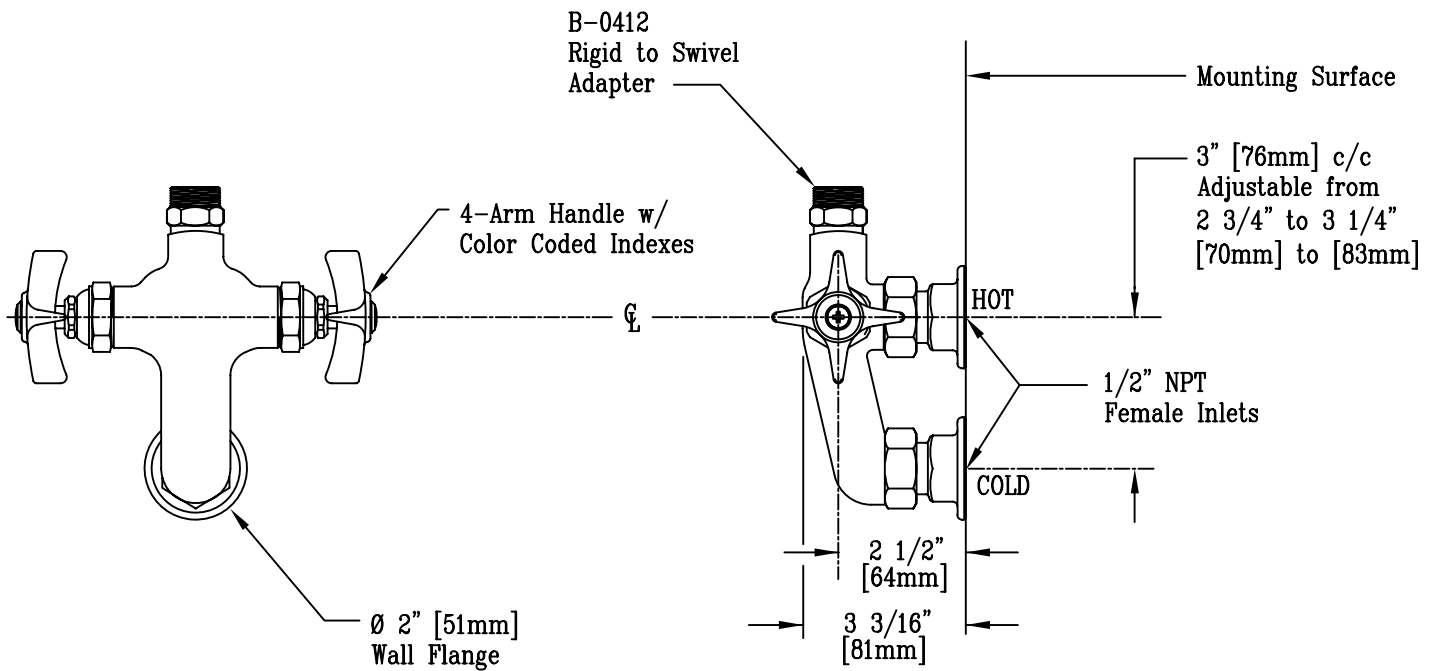
Job Name:

Architect/Engineer Approval:

Notes:



ADA COMPLIANT



Product Description:  
Wall Mount Mixing Faucet Less Nozzle  
w/ Rigid to Swivel Adapter

Drawn:

DHL

Checked

JRM

Scale:

1 : 4

Approved

JHB

Date:

02/07/08