



T&S BRASS AND BRONZE WORKS, INC.

2 Saddleback Cove / P.O. Box 1088
Travelers Rest, SC 29690

Model No.

BF-0299-18DJ

Item No.

Travelers Rest, SC: 800-476-4103 • Simi Valley, CA: 800-423-0150 • Fax: 864-834-3518 • www.tsbrass.com

This Space for Architect/Engineer Approval

Job Name _____ Date _____

Model Specified _____ Quantity _____

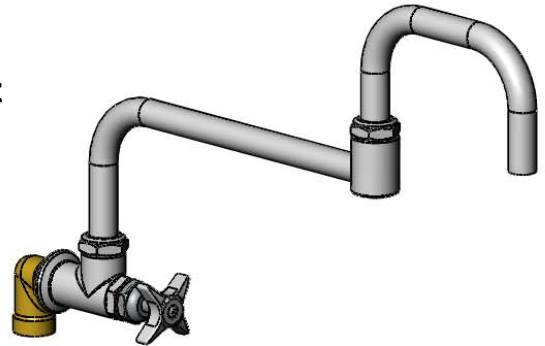
Customer/Wholesaler _____

Contractor _____

Architect/Engineer _____



ADA Compliant



1/8"
[4mm]
Maximum
Thickness

Mounting
Surface

Fits Within
2" [51mm]
Space

18 1/2"
[470mm]

12"
[305mm]

18 1/2" Big-Flo Double
Joint Nozzle w/ Plain End

Ø 2" [51mm]
Flange w/
3/4" NPT
Female Inlet

1 13/16"
[46mm]

00LL
3/4" NPT
Street Elbow

2"
[51mm]

1 1/16"
[27mm]

6 11/16"
[170mm]

7 5/8"
[193mm]

12 1/16"
[306mm]

4-Arm Handle

Rough-In Requirement:
Ø 1 1/4" [32mm] Hole

Product Specifications:
Single Wall Mount Big-Flo Faucet w/ 18 1/2" Double Joint Nozzle,
4-Arm Handle & 3/4" Street Elbow

Drawn

DMH

Checked

JRM

Approved

JHB

Scale:

1:6

Date:

10/18/12



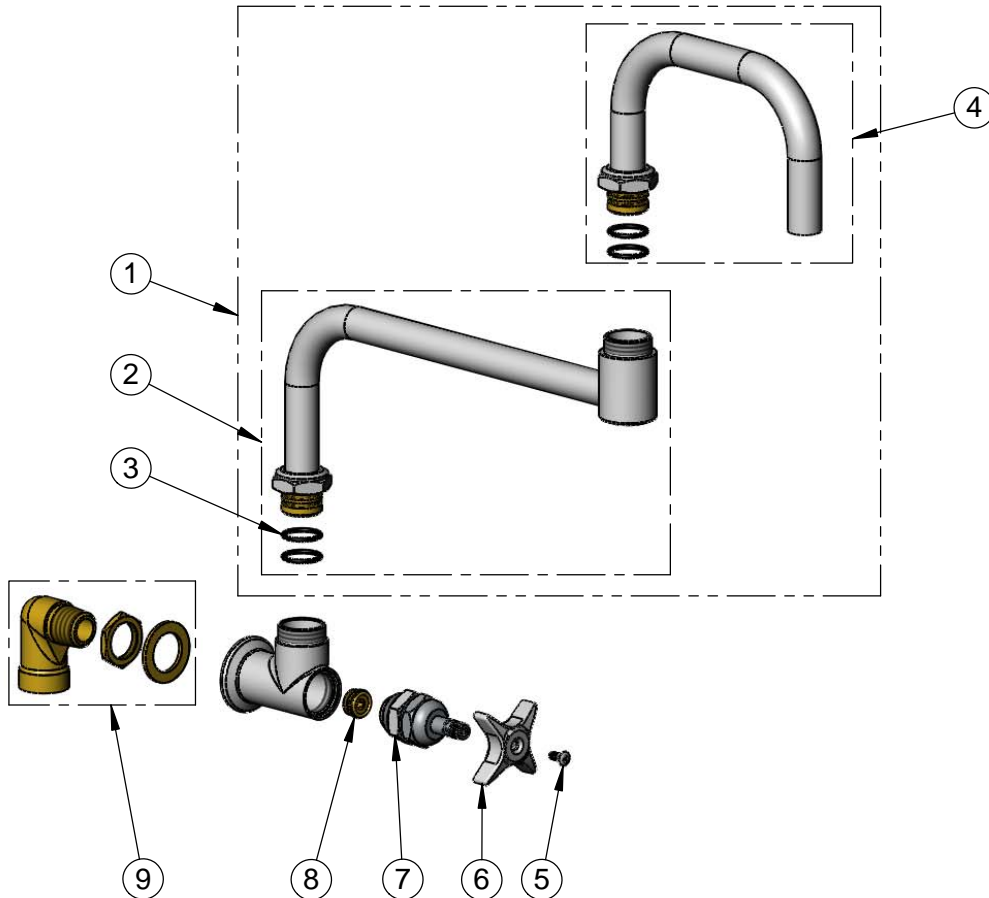
T&S BRASS AND BRONZE WORKS, INC.
 2 Saddleback Cove / P.O. Box 1088
 Travelers Rest, SC 29690

Model No.
BF-0299-18DJ

Item No.

Travelers Rest, SC: 800-476-4103 • Simi Valley, CA: 800-423-0150 • Fax: 864-834-3518 • www.tsbrass.com

| ITEM NO. | SALES NO. | DESCRIPTION |
|----------|-----------|-------------------------------------|
| 1 | BF-0178-A | 18 1/2" Big-Flo Double Joint Nozzle |
| 2 | 118X | 12" Back Section |
| 3 | 001068-45 | O-ring |
| 4 | BF-0153-X | 6 1/2" Front Section |
| 5 | 000922-45 | Lever Handle Screw |
| 6 | 002521-45 | 4-Arm Handle |
| 7 | 006482-40 | Big-Flo Cartridge, RTC |
| 8 | 000764-20 | Seat, Big-Flo |
| 9 | 00LL | 3/4" Street Elbow Inlet |



Product Specifications:
 Single Wall Mount Big-Flo Faucet w/ 18 1/2" Double Joint Nozzle,
 4-Arm Handle & 3/4" Street Elbow

| | | |
|----------------------|-----------------------|--------------------------|
| Drawn DMH | Checked JRM | Approved JHB |
| Scale: NTS | | Date: 10/18/12 |



T&S BRASS AND BRONZE WORKS, INC.
 2 Saddleback Cove / P.O. Box 1088
 Travelers Rest, SC 29690

Model No.
BF-0299-24DJ

Item No.

Travelers Rest, SC: 800-476-4103 • Simi Valley, CA: 800-423-0150 • Fax: 864-834-3518 • www.tsbrass.com

This Space for Architect/Engineer Approval

Job Name _____ Date _____

Model Specified _____ Quantity _____

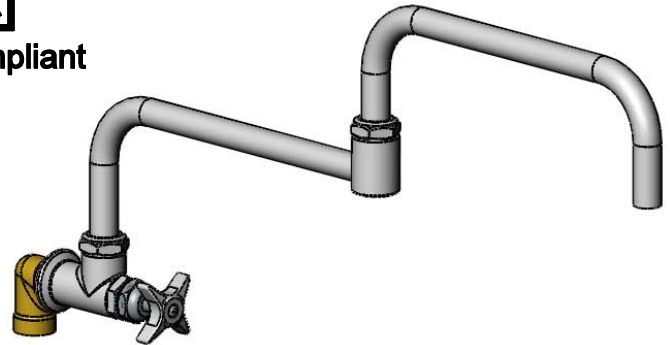
Customer/Wholesaler _____

Contractor _____

Architect/Engineer _____



ADA Compliant



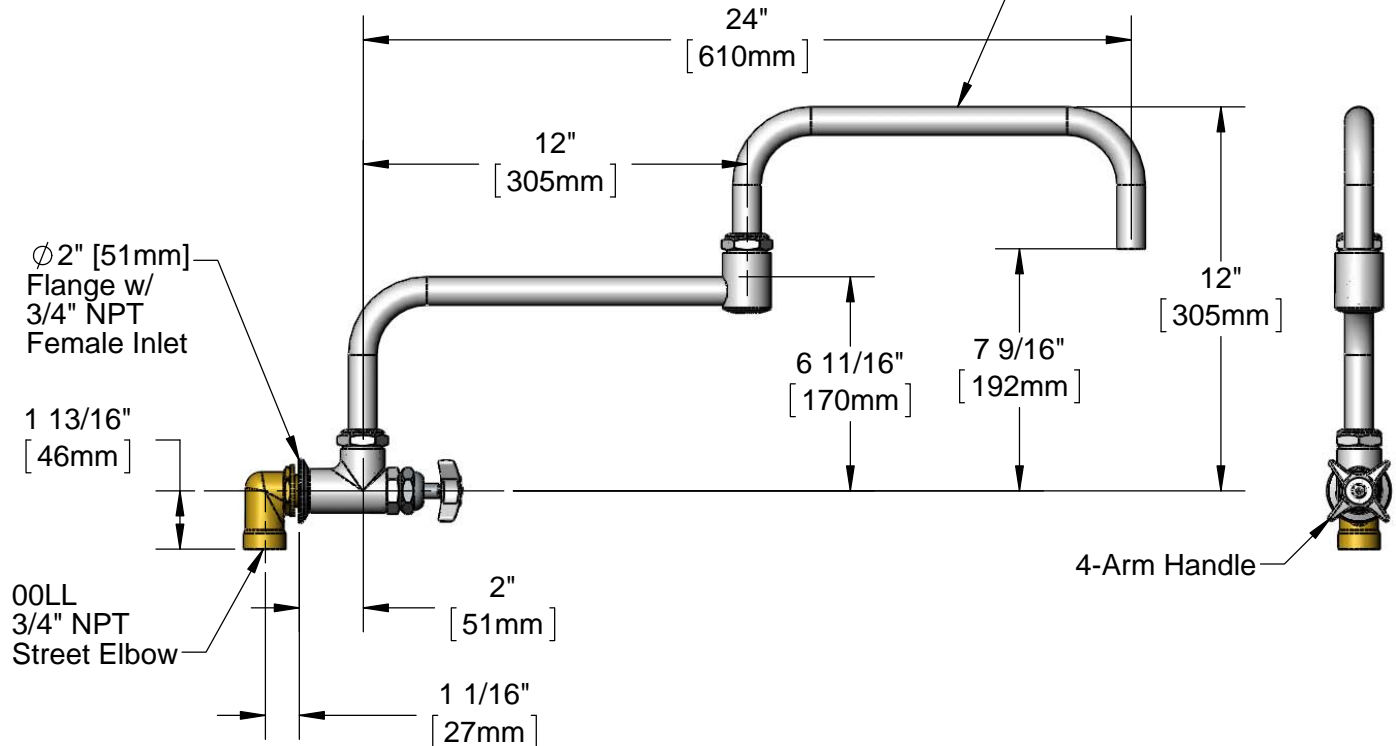
1/8" [4mm]
 Maximum Thickness

Mounting Surface

Fits Within
 2" [51mm]
 Space



24" Big-Flo Double
 Joint Nozzle w/ Plain End



Rough-In Requirement:
 Ø 1 1/4" [32mm] Hole

Product Specifications:
 Single Wall Mount Big-Flo Faucet w/ 24" Double Joint Nozzle,
 4-Arm Handle & 3/4" Street Elbow

| | | |
|----------------------|-----------------------|--------------------------|
| Drawn DMH | Checked JRM | Approved JHB |
| Scale: 1:6 | | Date: 10/18/12 |



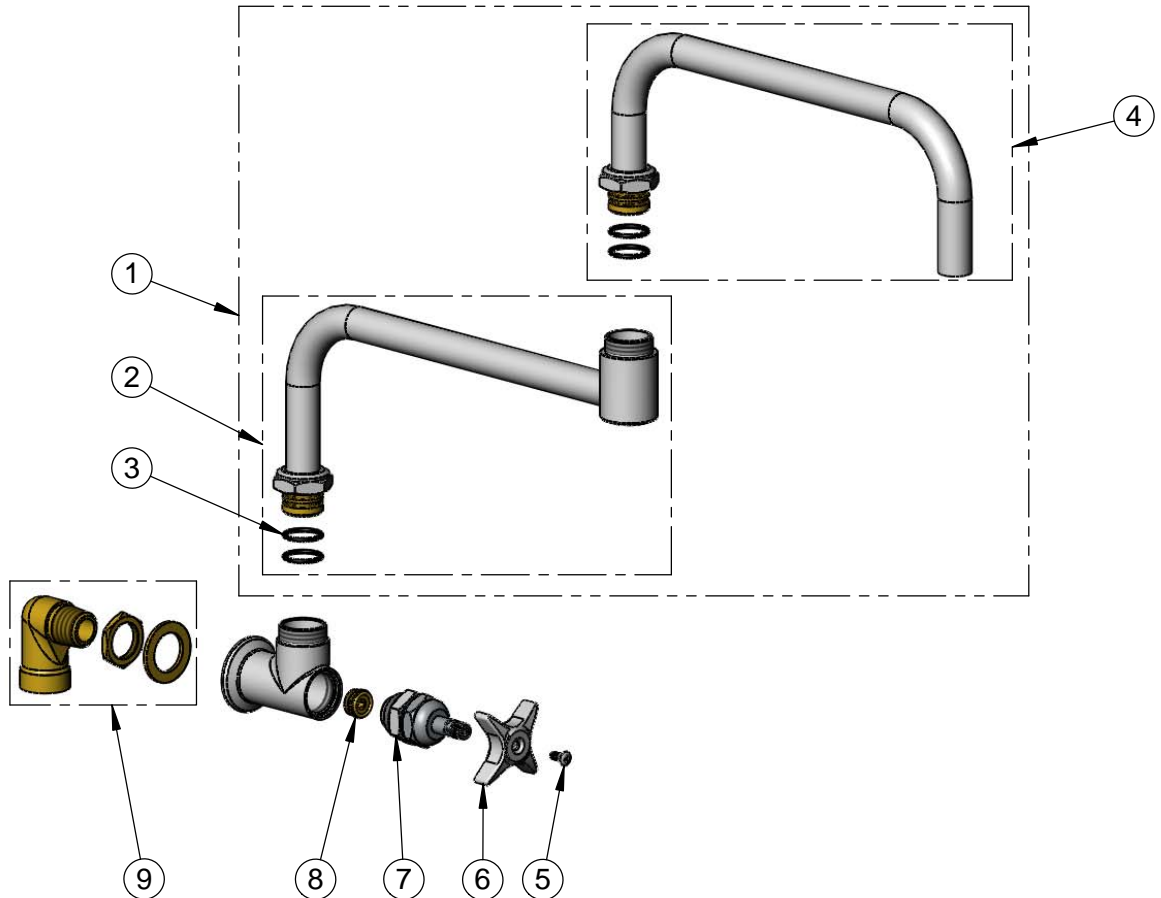
T&S BRASS AND BRONZE WORKS, INC.
 2 Saddleback Cove / P.O. Box 1088
 Travelers Rest, SC 29690

Model No.
BF-0299-24DJ

Item No.

Travelers Rest, SC: 800-476-4103 • Simi Valley, CA: 800-423-0150 • Fax: 864-834-3518 • www.tsbrass.com

| ITEM NO. | SALES NO. | DESCRIPTION |
|----------|-----------|---------------------------------|
| 1 | 116X | 24" Big-Flo Double Joint Nozzle |
| 2 | 118X | 12" Back Section |
| 3 | 001068-45 | O-ring |
| 4 | 117X | 12" Front Section |
| 5 | 000922-45 | Lever Handle Screw |
| 6 | 002521-45 | 4-Arm Handle |
| 7 | 006482-40 | Big-Flo Cartridge, RTC |
| 8 | 000764-20 | Seat, Big-Flo |
| 9 | 00LL | 3/4" Street Elbow Inlet |



Product Specifications:
 Single Wall Mount Big-Flo Faucet w/ 24" Double Joint Nozzle,
 4-Arm Handle & 3/4" Street Elbow

| | | |
|----------------------|-----------------------|--------------------------|
| Drawn DMH | Checked JRM | Approved JHB |
| Scale: NTS | | Date: 10/18/12 |