



T&S BRASS AND BRONZE WORKS, INC.

2 Saddleback Cove / P.O. Box 1088
 Travelers Rest, SC 29690



REG. #A2601
 ISO #9001

Model No.

B-0296-BKT

Item No.

Travelers Rest, SC: 800-476-4103 • Simi Valley, CA: 800-423-0150 • Fax: 864-834-3518 • www.tsbrass.com

This Space for Architect/Engineer Approval

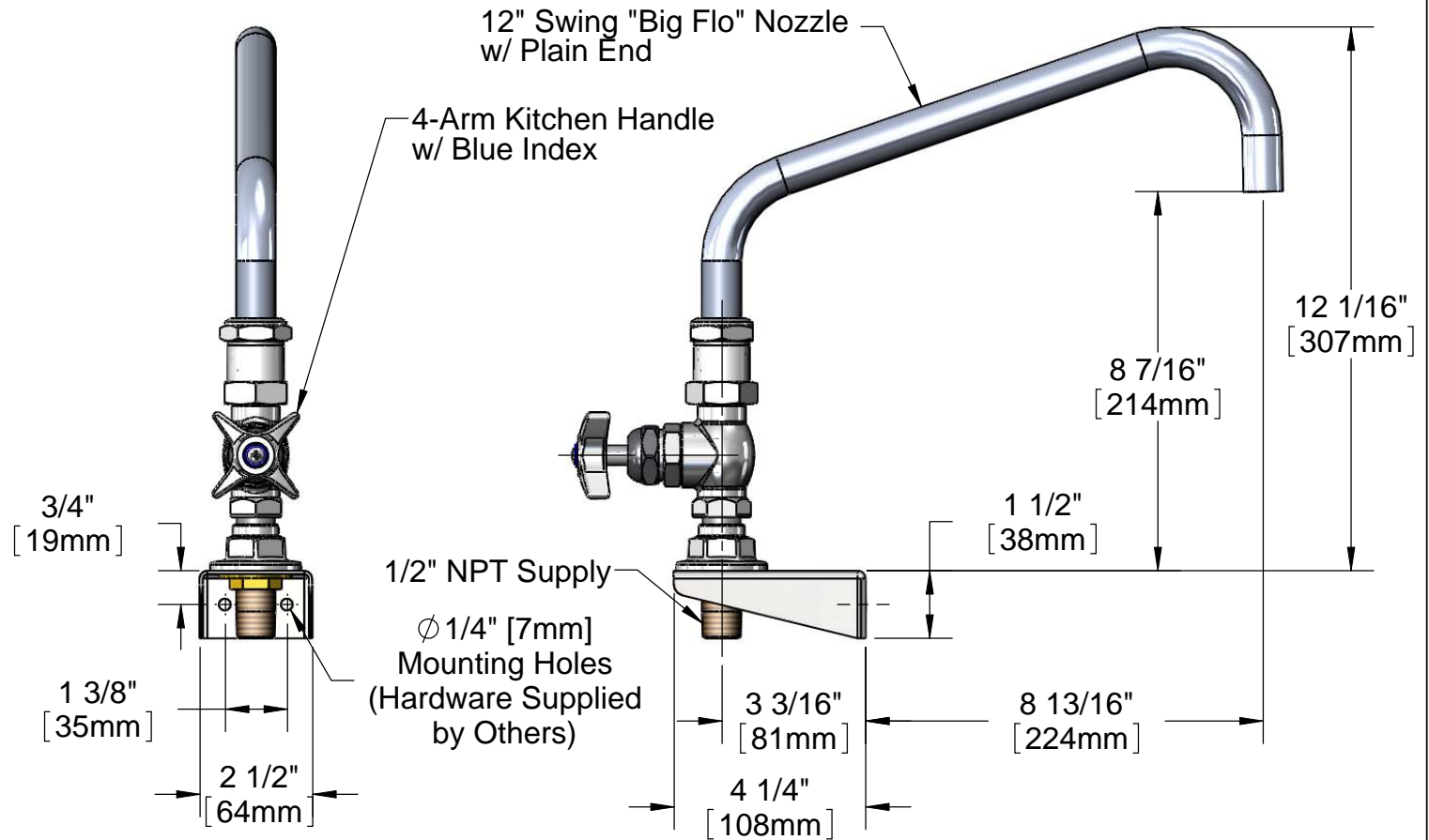
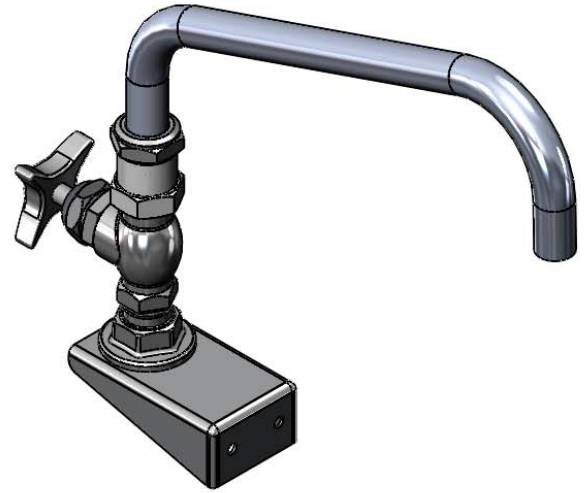
Job Name _____ Date _____

Model Specified _____ Quantity _____

Customer/Wholesaler _____

Contractor _____

Architect/Engineer _____



Product Specifications:
 "Big- Flo" Kettle Filler Faucet w/ 4-Arm Handle, 12" Plain End Nozzle Assembly & Stainless Steel Mounting Bracket

Drawn DMH	Checked JRM	Approved JHB
Scale: 1:4		Date: 02/04/11



T&S BRASS AND BRONZE WORKS, INC.

2 Saddleback Cove / P.O. Box 1088
Travelers Rest, SC 29690



REG. #A2601
ISO #9001

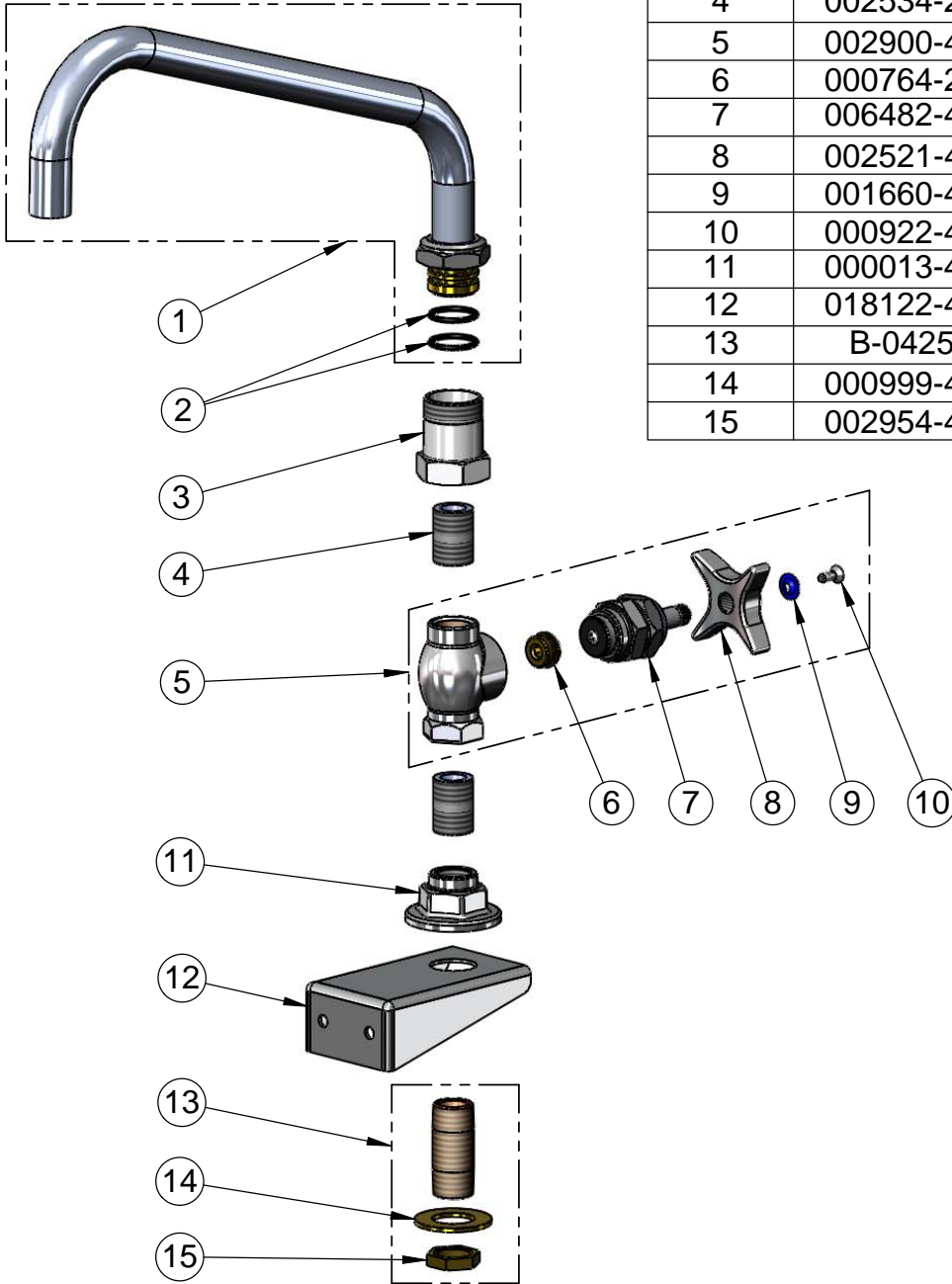
Model No.

B-0296-BKT

Item No.

Travelers Rest, SC: 800-476-4103 • Simi Valley, CA: 800-423-0150 • Fax: 864-834-3518 • www.tsbrass.com

ITEM NO.	SALES NO.	DESCRIPTION
1	114X	12" Big Flo Swing Nozzle Asm
2	001068-45	O-ring, Size -118
3	000594-25	Swivel Body x 1/2-14 NPT
4	002534-25	Close Nipple, 1/2"
5	002900-40	Valve Asm w/ 4-Arm Handle
6	000764-20	Seat, B-290 RM
7	006482-40	Spindle Asm, B-0290 (RH)
8	002521-45	4-Arm Handle
9	001660-45	Blue Index-CW
10	000922-45	Lever Handle Screw
11	000013-40	Flange, 1/2" NPT Wall Mount
12	018122-45	Mounting Bracket, B-0296-BKT
13	B-0425	Supply Nipple Asm, 1/2" NPT
14	000999-45	Brass Lock Washer
15	002954-45	Shank Lock Nut



Product Specifications:
"Big- Flo" Kettle Filler Faucet w/ 4-Arm Handle, 12" Plain End
Nozzle Assembly & Stainless Steel Mounting Bracket

Drawn DMH	Checked JRM	Approved JHB
Scale: NTS		Date: 02/04/11