



# T&S BRASS AND BRONZE WORKS, INC.

2 Saddleback Cove / P.O. Box 1088  
Travelers Rest, SC 29690

Model No.

**B-0291**

Item No.

Travelers Rest, SC: 800-476-4103 • Simi Valley, CA: 800-423-0150 • Fax: 864-834-3518 • www.tsbrass.com



**ADA Compliant**

This Space for Architect/Engineer Approval

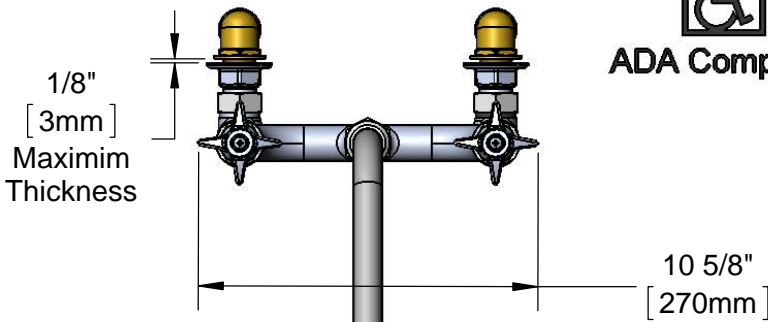
Job Name \_\_\_\_\_ Date \_\_\_\_\_

Model Specified \_\_\_\_\_ Quantity \_\_\_\_\_

Customer/Wholesaler \_\_\_\_\_

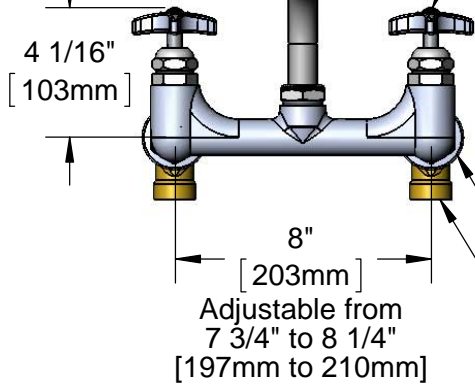
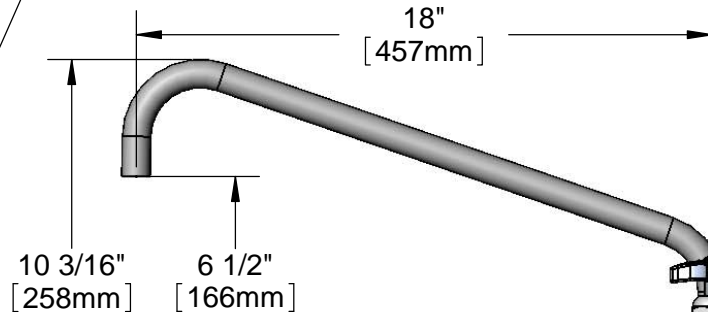
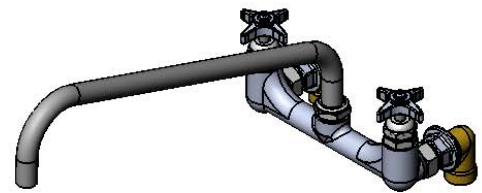
Contractor \_\_\_\_\_

Architect/Engineer \_\_\_\_\_



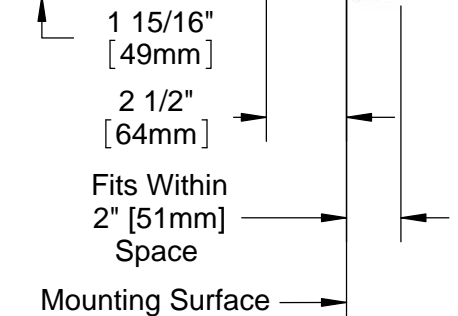
115X  
18" Big-Flo Swing  
Nozzle w/ Plain End  
Outlet

Big-Flo  
Cartridges &  
4-Arm Handles  
w/ Color Coded  
Indexes



Ø2" [51mm] Flanges

3/4" NPT Female Inlets



Rough-In Requirement:  
(2) Ø1 1/4" [32mm] Mounting Holes

Product Specifications:  
8" Wall Mount Big-Flo Mixing Faucet, Big-Flo Cartridges, 4-Arm  
Handles, 18" Big-Flo Swing Nozzle & 3/4" NPT Female Inlets

Product Compliance:  
ASME A112.18.1 / CSA B125.1  
NSF 61 - Section 9  
NSF 372 (Low Lead Content)  
ANSI A117.1 (ADA)



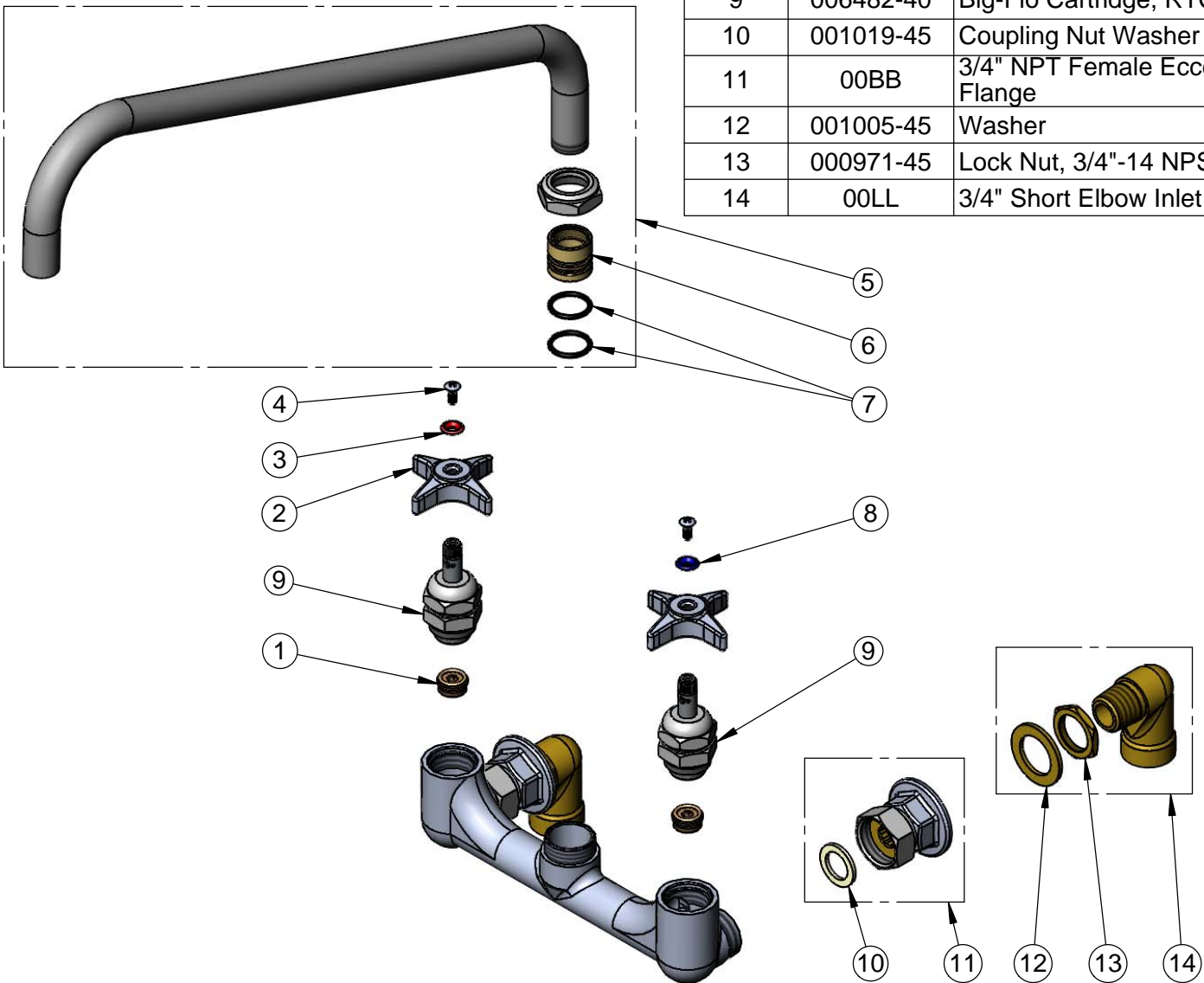
**T&S BRASS AND BRONZE WORKS, INC.**  
 2 Saddleback Cove / P.O. Box 1088  
 Travelers Rest, SC 29690

Model No.  
**B-0291**

Item No.

Travelers Rest, SC: 800-476-4103 • Simi Valley, CA: 800-423-0150 • Fax: 864-834-3518 • www.tsbrass.com

ITEM NO.	SALES NO.	DESCRIPTION
1	000764-20	Seat, Big-Flo
2	002521-45	4-Arm Handle
3	001661-45	Red Index-HW
4	000922-45	Lever Handle Screw
5	115X	18" Big-Flo Swing Nozzle
6	000847-20	Big-Flo Swivel Piece
7	001068-45	O-ring
8	001660-45	Blue Index-CW
9	006482-40	Big-Flo Cartridge, RTC
10	001019-45	Coupling Nut Washer
11	00BB	3/4" NPT Female Eccentric Flange
12	001005-45	Washer
13	000971-45	Lock Nut, 3/4"-14 NPSM
14	00LL	3/4" Short Elbow Inlet



**Product Specifications:**  
 8" Wall Mount Big-Flo Mixing Faucet, Big-Flo Cartridges, 4-Arm Handles, 18" Big-Flo Swing Nozzle & 3/4" NPT Female Inlets

**Product Compliance:**  
 ASME A112.18.1 / CSA B125.1  
 NSF 61 - Section 9  
 NSF 372 (Low Lead Content)  
 ANSI A117.1 (ADA)



# T&S BRASS AND BRONZE WORKS, INC.

2 Saddleback Cove / P.O. Box 1088  
Travelers Rest, SC 29690

Model No.

**B-0293-01**

Item No.

Travelers Rest, SC: 800-476-4103 • Simi Valley, CA: 800-423-0150 • Fax: 864-834-3518 • www.tsbrass.com



**ADA Compliant**

This Space for Architect/Engineer Approval

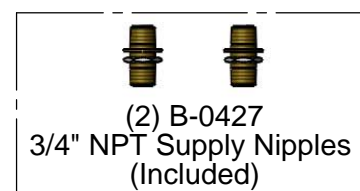
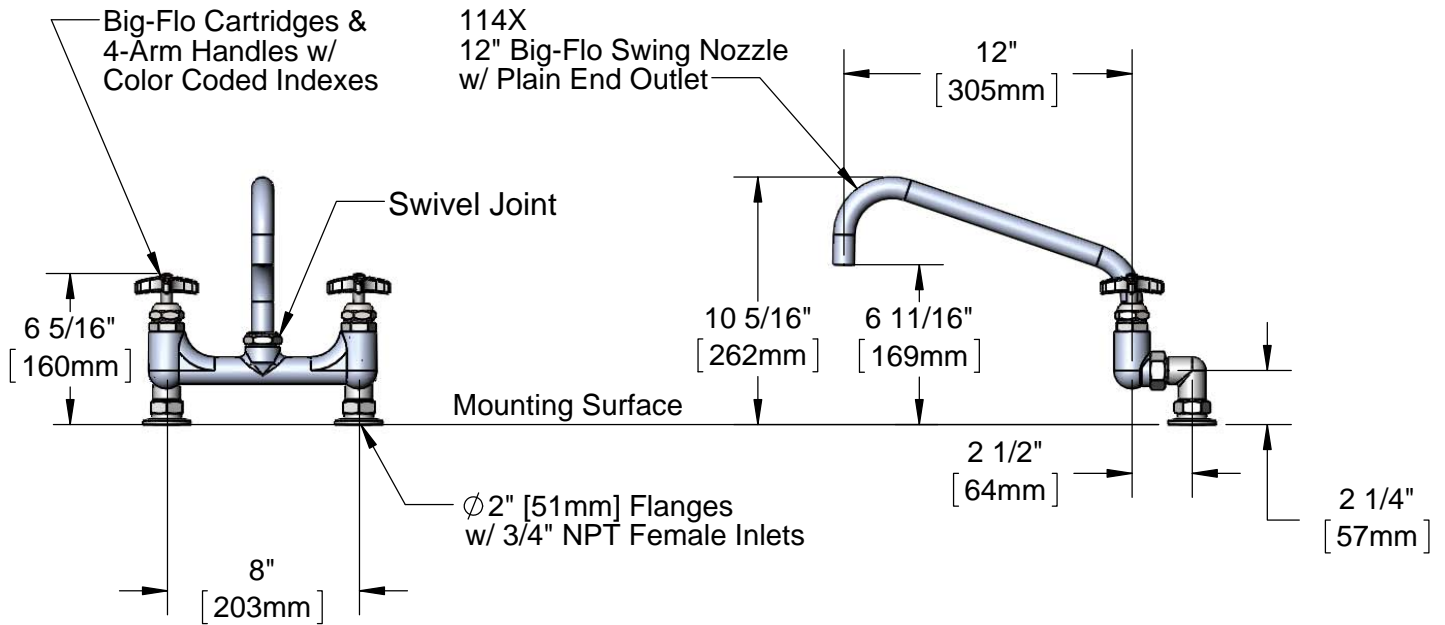
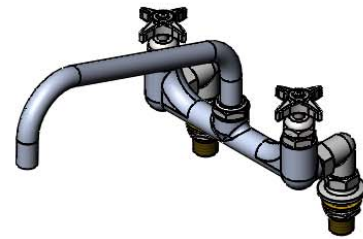
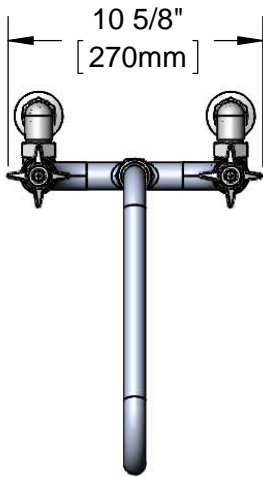
Job Name \_\_\_\_\_ Date \_\_\_\_\_

Model Specified \_\_\_\_\_ Quantity \_\_\_\_\_

Customer/Wholesaler \_\_\_\_\_

Contractor \_\_\_\_\_

Architect/Engineer \_\_\_\_\_



Rough-In Requirement:  
(2) Ø1 1/4" [32mm] Mounting Holes

Product Specifications:  
8" Deck Mount Big-Flo Mixing Faucet, Big-Flo Cartridges, 4-Arm Handles, 12" Big-Flo Swing Nozzle & 3/4" NPT Supply Nipples

Product Compliance:  
ASME A112.18.1 / CSA B125.1  
NSF 61 - Section 9  
NSF 372 (Low Lead Content)  
ANSI A117.1 (ADA)



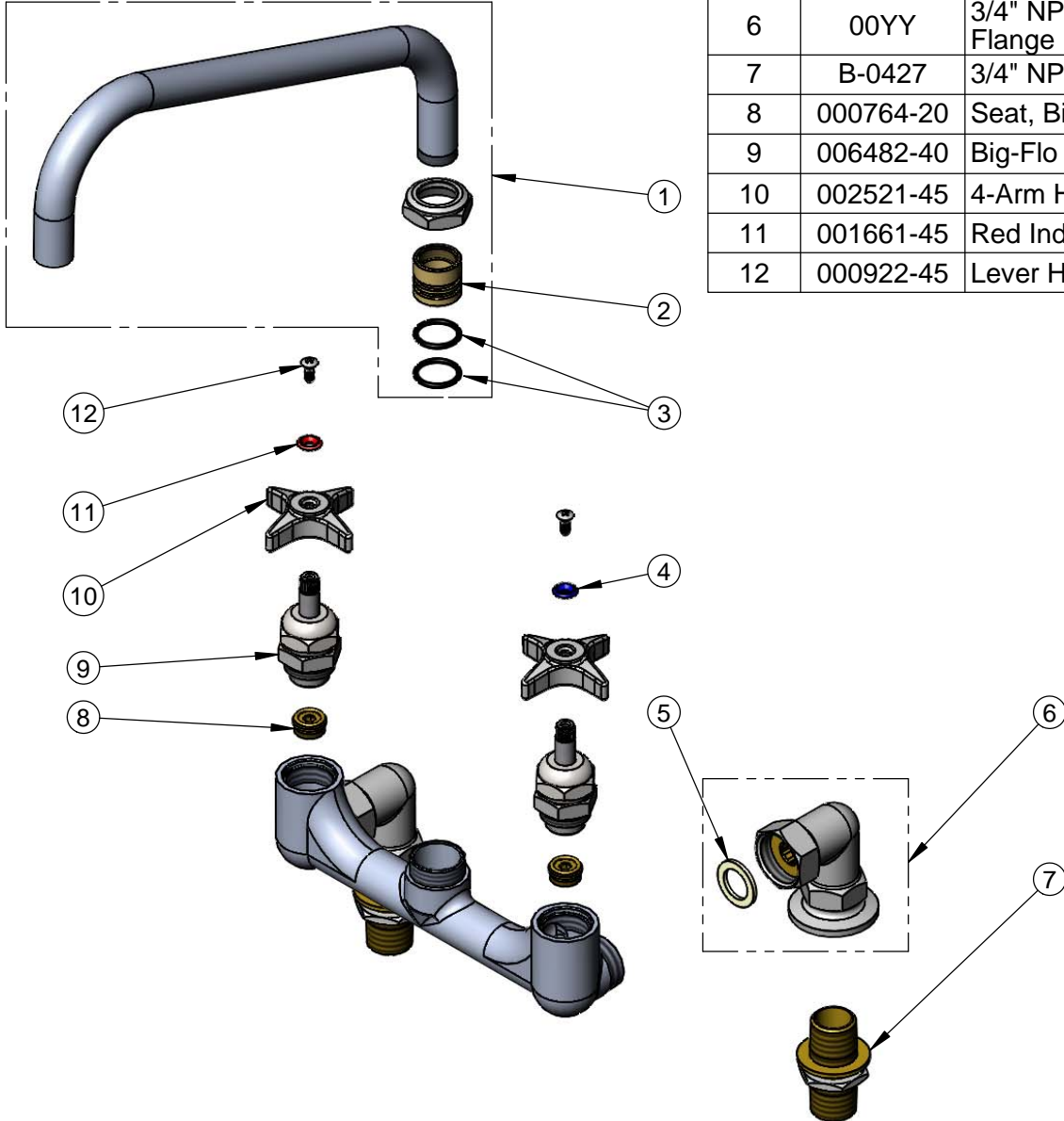
**T&S BRASS AND BRONZE WORKS, INC.**  
 2 Saddleback Cove / P.O. Box 1088  
 Travelers Rest, SC 29690

Model No.  
**B-0293-01**

Item No.

Travelers Rest, SC: 800-476-4103 • Simi Valley, CA: 800-423-0150 • Fax: 864-834-3518 • www.tsbrass.com

ITEM NO.	SALES NO.	DESCRIPTION
1	114X	12" Big-Flo Swing Nozzle
2	000847-20	Swivel Piece
3	001068-45	O-ring
4	001660-45	Blue Index-CW
5	001019-45	Coupling Nut Washer
6	00YY	3/4" NPT Female Elbow Flange
7	B-0427	3/4" NPT Supply Nipple Kit
8	000764-20	Seat, Big-Flo
9	006482-40	Big-Flo Cartridge, RTC
10	002521-45	4-Arm Handle
11	001661-45	Red Index-HW
12	000922-45	Lever Handle Screw



Product Specifications:  
 8" Deck Mount Big-Flo Mixing Faucet, Big-Flo Cartridges, 4-Arm Handles, 12" Big-Flo Swing Nozzle & 3/4" NPT Supply Nipples

Product Compliance:  
 ASME A112.18.1 / CSA B125.1  
 NSF 61 - Section 9  
 NSF 372 (Low Lead Content)  
 ANSI A117.1 (ADA)