



T&S BRASS AND BRONZE WORKS, INC.
 2 Saddleback Cove / P.O. Box 1088
 Travelers Rest, SC 29690

Model No.
B-0220-LN

Item No.

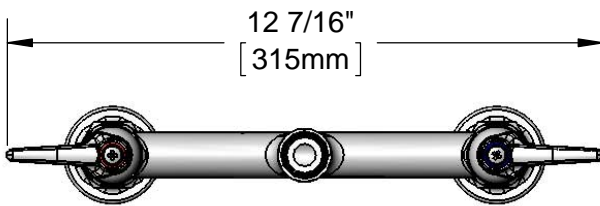
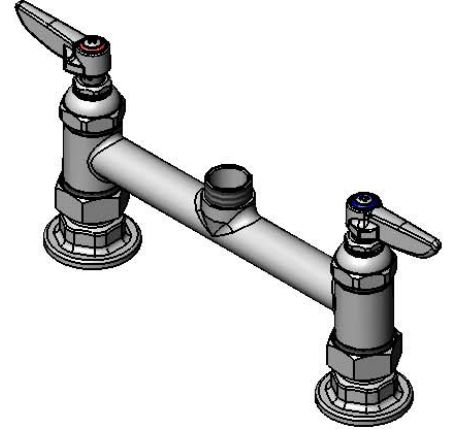
Travelers Rest, SC: 800-476-4103 • Simi Valley, CA: 800-423-0150 • Fax: 864-834-3518 • www.tsbrass.com

This Space for Architect/Engineer Approval

Job Name _____ Date _____
 Model Specified _____ Quantity _____
 Customer/Wholesaler _____
 Contractor _____
 Architect/Engineer _____

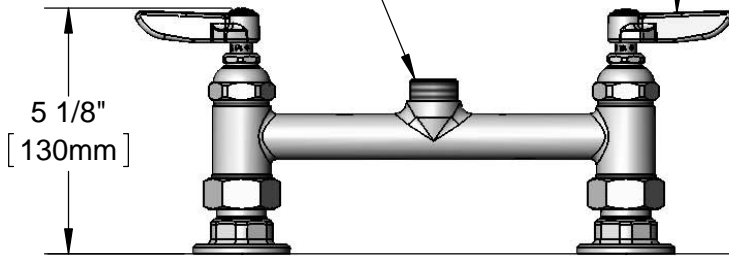


ADA Compliant



Swivel Outlet Accepts
 Standard T&S Swing Nozzles

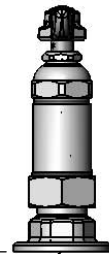
Eterna Cartridges &
 Lever Handles w/
 Color Coded Indexes



Mounting Surface

8"
[203mm]
 Adjustable From
 7 3/4" to 8 1/4"
 [197mm to 210mm]

Ø 2" [51mm]
 Flanges w/
 1/2" NPT
 Female Inlets



Product Specifications:

8" Deck Mount Mixing Faucet, Eterna Cartridges, Lever Handles & 1/2" NPT Female Inlets, Less Nozzle

Product Compliance:

ASME A112.18.1 / CSA B125.1
 NSF 61 - Section 9
 NSF 372 (Low Lead Content)
 ANSI A117.1 (ADA)



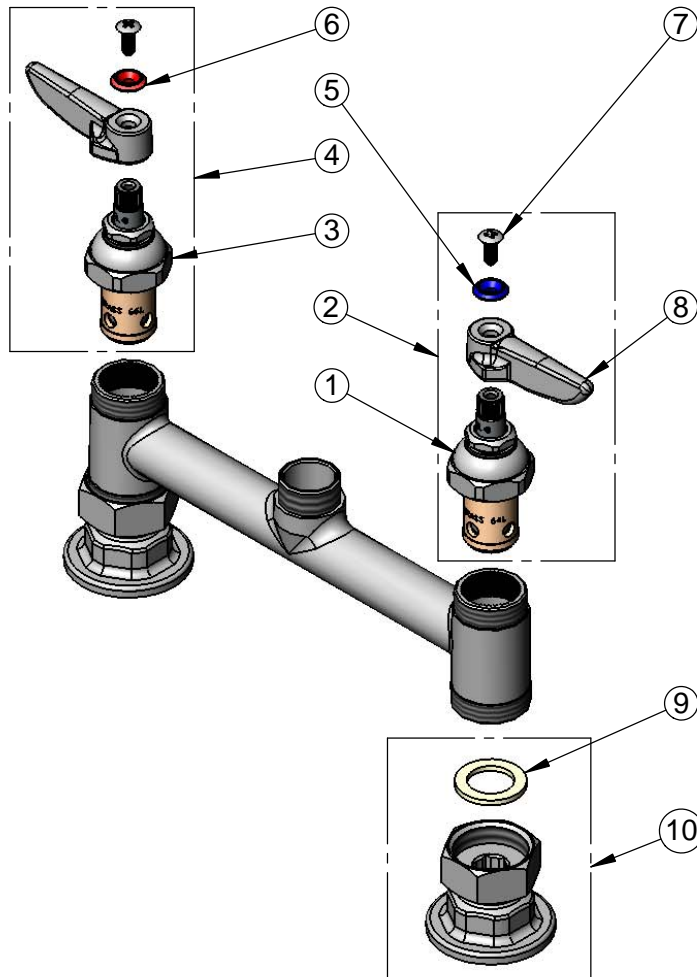
T&S BRASS AND BRONZE WORKS, INC.
 2 Saddleback Cove / P.O. Box 1088
 Travelers Rest, SC 29690

Model No.
B-0220-LN

Item No.

Travelers Rest, SC: 800-476-4103 • Simi Valley, CA: 800-423-0150 • Fax: 864-834-3518 • www.tsbrass.com

ITEM NO.	SALES NO.	DESCRIPTION
1	005959-40	Eterna Cartridge, LTC
2	002713-40	Eterna Cartridge, LTC w/ Handle, Index & Screw
3	005960-40	Eterna Cartridge, RTC
4	002714-40	Eterna Cartridge, RTC w/ Handle, Index & Screw
5	001660-45	Blue Index-CW
6	001661-45	Red Index-HW
7	000922-45	Lever Handle Screw
8	001638-45	Lever Handle
9	001019-45	Coupling Nut Washer
10	00AA	1/2" NPT Female Eccentric Flange



Product Specifications:

8" Deck Mount Mixing Faucet, Eterna Cartridges, Lever Handles & 1/2" NPT Female Inlets, Less Nozzle

Product Compliance:

ASME A112.18.1 / CSA B125.1
 NSF 61 - Section 9
 NSF 372 (Low Lead Content)
 ANSI A117.1 (ADA)



T&S BRASS AND BRONZE WORKS, INC.

2 Saddleback Cove / P.O. Box 1088
Travelers Rest, SC 29690



REG. #A2601
ISO #9001

Model No.

B-0220-EELN

Item No.

Travelers Rest, SC: 800-476-4103 Simi Valley, CA: 800-423-0150 Fax: 864-834-3518 www.tsbrass.com

This Space for Architect/Engineer Approval

Job Name _____ Date _____

Model Specified _____ Quantity _____

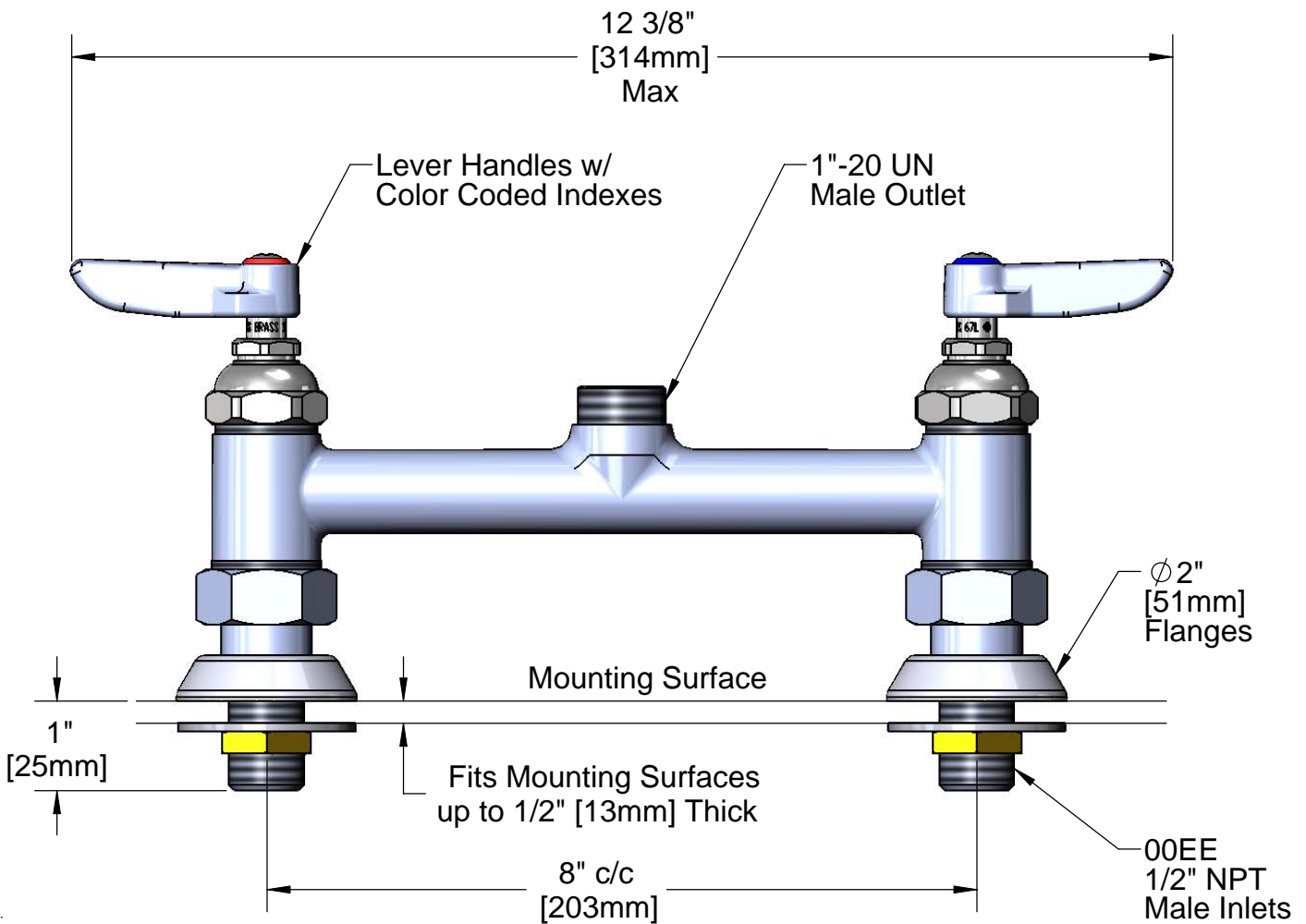
Customer/Wholesaler _____

Contractor _____

Architect/Engineer _____



ADA Compliant



Rough-In Requirement:
Ø 1" [25mm] Holes

Product Specifications:

**8" c/c Deck Mount Faucet w/ 00EE
Male Inlets & Less Nozzle**

Drawn
KJG

Checked
DHL

Approved
JHB

Scale:

1:2

Date:

08/19/09



T&S BRASS AND BRONZE WORKS, INC.

2 Saddleback Cove / P.O. Box 1088
Travelers Rest, SC 29690



REG. #A2601
ISO #9001

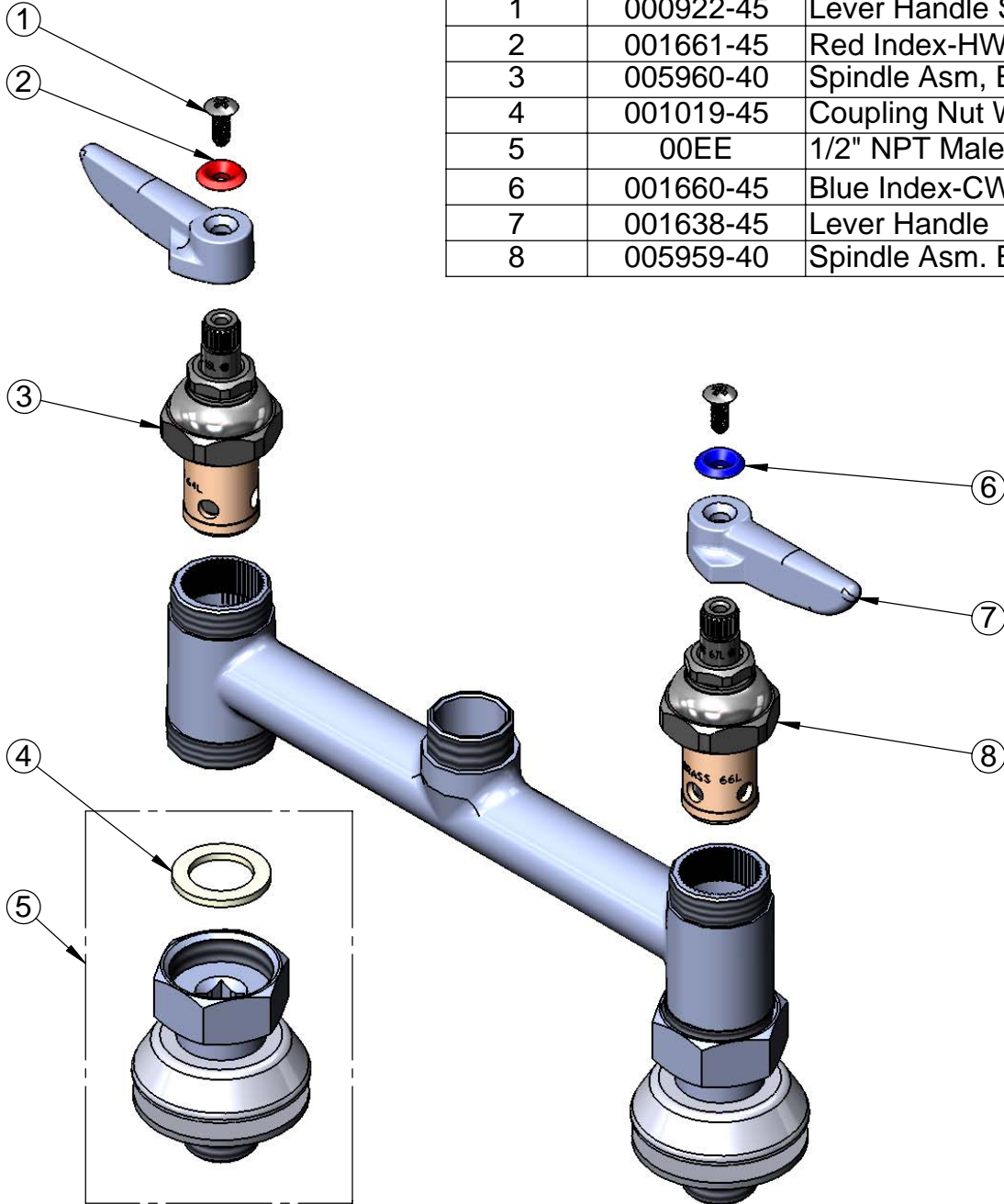
Model No.

B-0220-EELN

Item No.

Travelers Rest, SC: 800-476-4103 Simi Valley, CA: 800-423-0150 Fax: 864-834-3518 www.tsbrass.com

ITEM NO.	SALES NO.	DESCRIPTION
1	000922-45	Lever Handle Screw
2	001661-45	Red Index-HW
3	005960-40	Spindle Asm, Eterna "Hot"
4	001019-45	Coupling Nut Washer
5	00EE	1/2" NPT Male Inlet Assembly
6	001660-45	Blue Index-CW
7	001638-45	Lever Handle
8	005959-40	Spindle Asm. Eterna "Cold"



Product Specifications:

**8" c/c Deck Mount Faucet w/ 00EE
Male Inlets & Less Nozzle**

Drawn

KJG

Checked

DHL

Approved

JHB

Scale:

1:4

Date:

08/19/09



T&S BRASS AND BRONZE WORKS, INC.

2 SADDLEBACK COVE / P.O. BOX 1088 / TRAVELERS REST, SC 29690

PHONE 800-476-4103

FAX 864-834-3518



REG.#A2601
ISO #9002

Model No.

B-0220-CR-LN

Item No.:

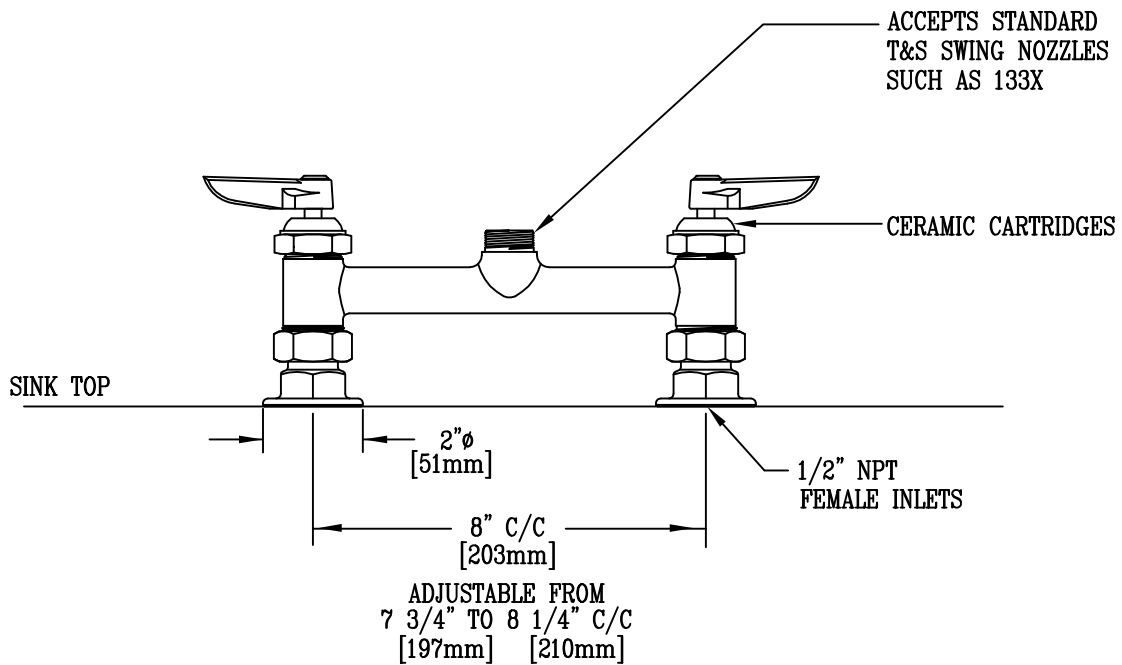
Job Name:

Architect/Engineer Approval:

Notes:



ADA COMPLIANT



Product Description:

B-0220 BASE FAUCET LESS NOZZLE
AND w/ CERAMIC CARTRIDGES

Drawn:

WJS

Checked

JRM

Scale:

1 : 4

Approved

JHB

Date:

03/10/06