



**T&S BRASS AND BRONZE WORKS, INC.**  
 2 Saddleback Cove / P.O. Box 1088  
 Travelers Rest, SC 29690

Model No.  
**B-0205-LN**

Item No.

Travelers Rest, SC: 800-476-4103 • Simi Valley, CA: 800-423-0150 • Fax: 864-834-3518 • www.tsbrass.com



**ADA Compliant**

This Space for Architect/Engineer Approval

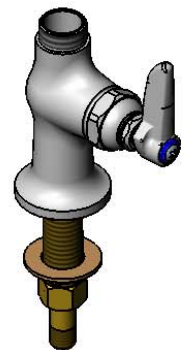
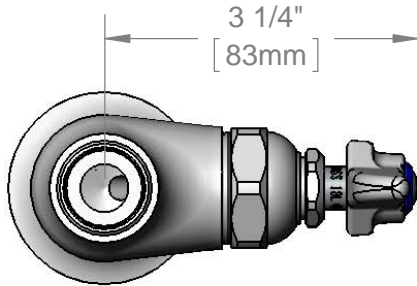
Job Name \_\_\_\_\_ Date \_\_\_\_\_

Model Specified \_\_\_\_\_ Quantity \_\_\_\_\_

Customer/Wholesaler \_\_\_\_\_

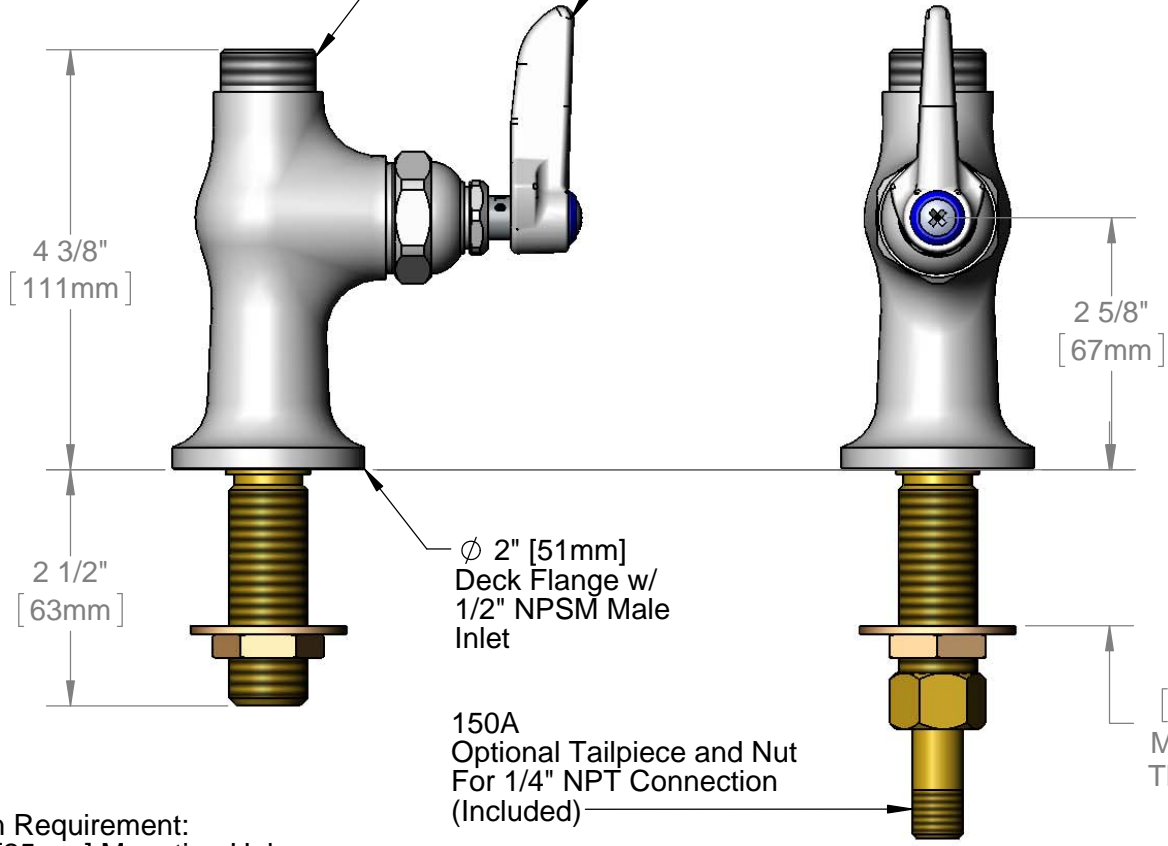
Contractor \_\_\_\_\_

Architect/Engineer \_\_\_\_\_



Swivel Outlet Accepts  
 Standard T&S Swing Nozzles

Eterna Cartridge &  
 Lever Handle w/ Blue  
 Color Coded Index



Rough-In Requirement:  
 (2) Ø 1" [25mm] Mounting Holes

Product Specifications:  
 Single Hole Single Temperature Deck Mount Faucet, Eterna Cartridge,  
 Lever Handle & 1/2" NPSM Male Inlet, Less Nozzle

Product Compliance:  
 ASME A112.18.1 / CSA B125.1  
 NSF 61 - Section 9  
 NSF 372 (Low Lead Content)  
 ANSI A117.1 (ADA)



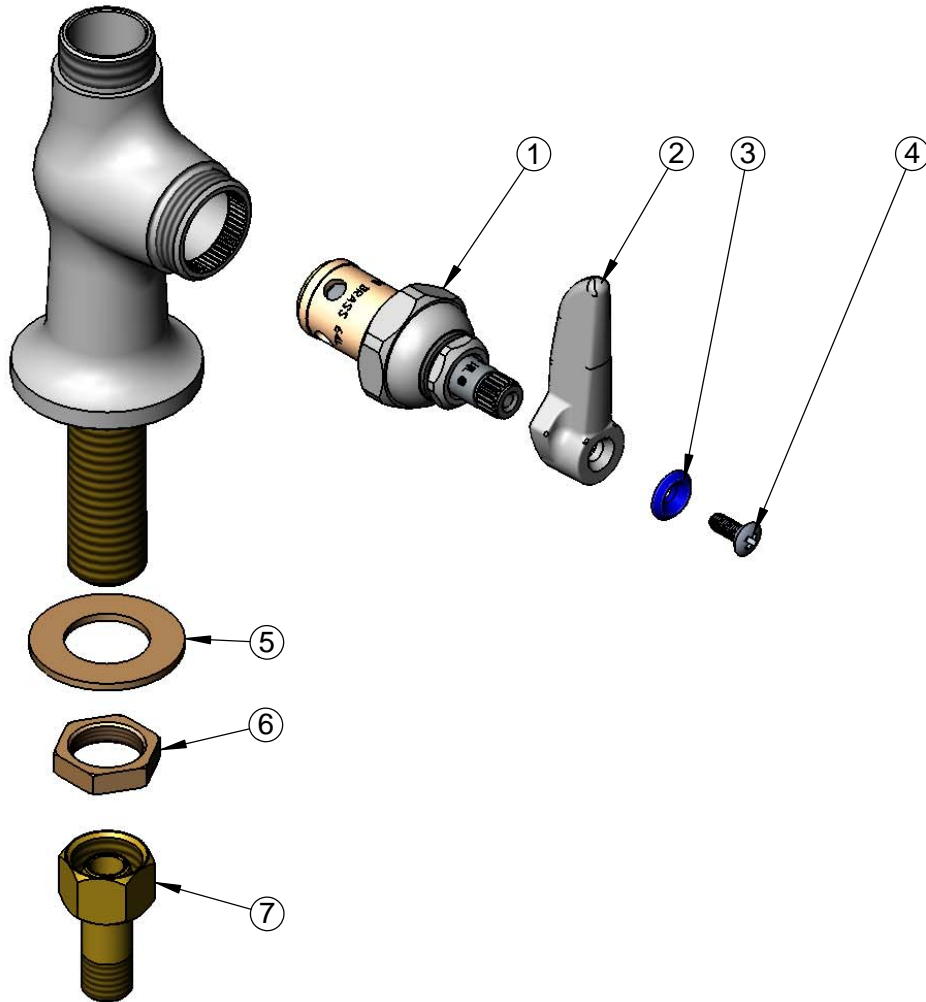
**T&S BRASS AND BRONZE WORKS, INC.**  
 2 Saddleback Cove / P.O. Box 1088  
 Travelers Rest, SC 29690

Model No.  
**B-0205-LN**

Item No.

Travelers Rest, SC: 800-476-4103 • Simi Valley, CA: 800-423-0150 • Fax: 864-834-3518 • www.tsbrass.com

ITEM NO.	SALES NO.	DESCRIPTION
1	005960-40	Eterna Cartridge, RTC
2	001638-45	Lever Handle
3	001660-45	Blue Index-CW
4	000922-45	Lever Handle Screw
5	000999-45	Brass Lock Washer
6	002954-45	Shank Lock Nut
7	150A	1/4" NPT Tailpiece & Nut



Product Specifications:

Single Hole Single Temperature Deck Mount Faucet, Eterna Cartridge, Lever Handle & 1/2" NPSM Male Inlet, Less Nozzle

Product Compliance:

ASME A112.18.1 / CSA B125.1  
 NSF 61 - Section 9  
 NSF 372 (Low Lead Content)  
 ANSI A117.1 (ADA)



**T&S BRASS AND BRONZE WORKS, INC.**  
 2 SADDLEBACK COVE / P.O. BOX 1088 / TRAVELERS REST, SC 29690  
 PHONE 800-476-4103 - FAX 864- 834-3518



Model No.

B-0205-CR-LN

**RELIABILITY  
 BUILT IN**

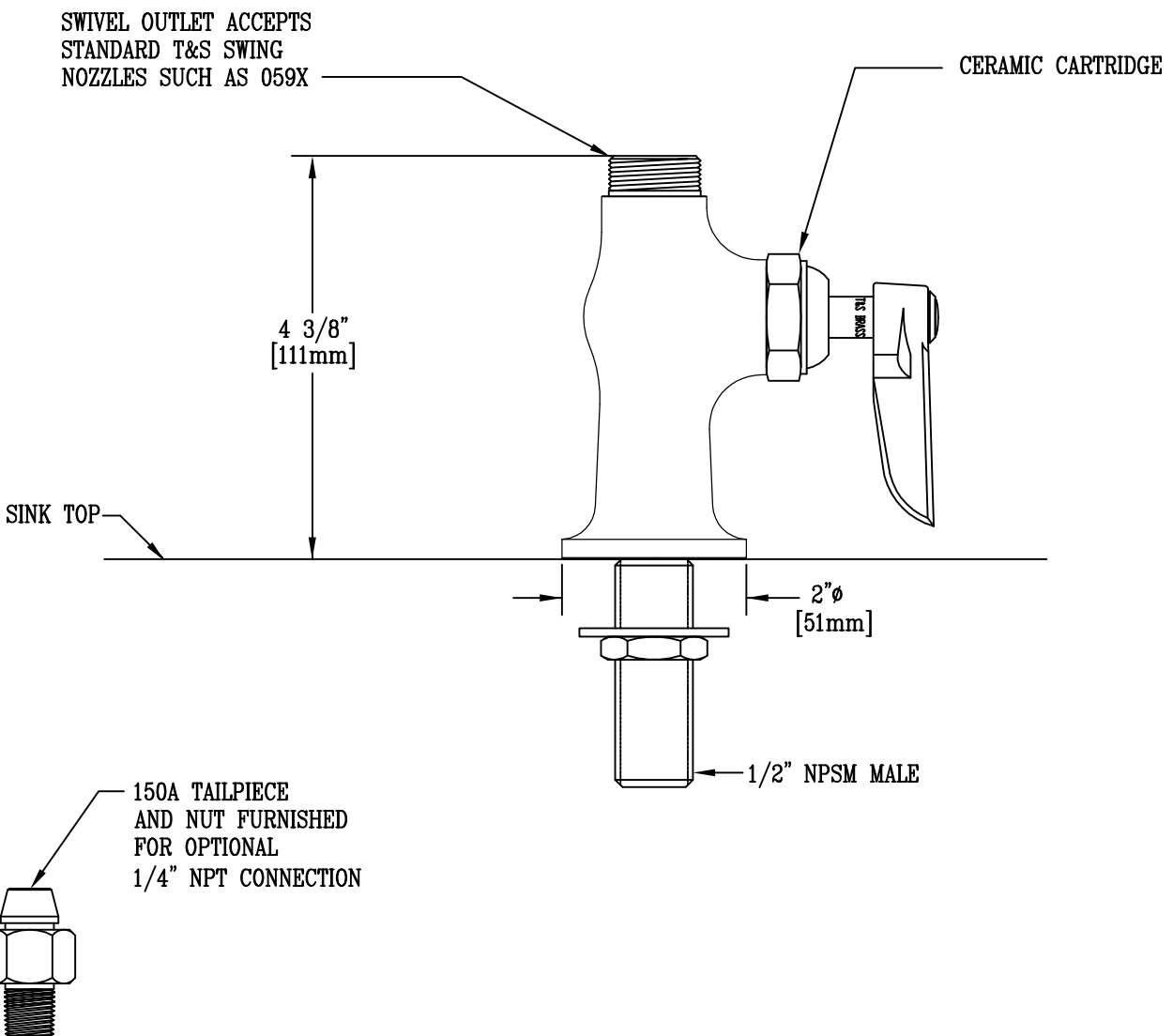
Job Name:

Architect/Engineer Approval:

Notes:



ADA COMPLIANT



Product Description:

SINGLE PANTRY SWIVEL BASE FCT., LESS NOZZLE  
 AND w/ CERAMIC CARTRIDGE

Drawn:

WJS

Checked

JRM

Scale:

1 : 2

Approved

JHB

Date:

03/10/06