



**T&S BRASS AND BRONZE WORKS, INC.**  
 2 Saddleback Cove / P.O. Box 1088  
 Travelers Rest, SC 29690

Model No.  
**B-0200-LN**

Item No.

Travelers Rest, SC: 800-476-4103 • Simi Valley, CA: 800-423-0150 • Fax: 864-834-3518 • www.tsbrass.com



**ADA Compliant**

This Space for Architect/Engineer Approval

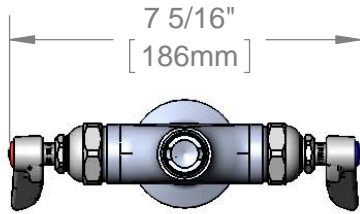
Job Name \_\_\_\_\_ Date \_\_\_\_\_

Model Specified \_\_\_\_\_ Quantity \_\_\_\_\_

Customer/Wholesaler \_\_\_\_\_

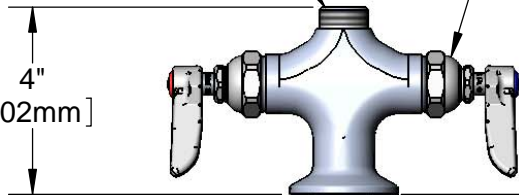
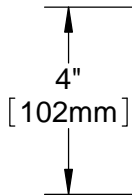
Contractor \_\_\_\_\_

Architect/Engineer \_\_\_\_\_



Swivel Outlet Accepts  
 Standard T&S Swing  
 Nozzles

Eterna Cartridges &  
 Lever Handles w/  
 Color Coded Indexes



Mounting Surface



Ø 2 1/4" [57mm] Flange w/  
 Ø 1 1/8" [29mm] Shank

18" Flexible  
 Stainless Steel  
 Supply Hoses

Compression Fittings  
 for 5/8" O.D. Copper Tubing  
 (Remove Compression Nut  
 for 1/2" NPSM Male)

Rough-In Requirement:  
 Ø 1 1/2" [38mm] Mounting Hole

Product Specifications:  
 Single Hole Deck Mount Mixing Faucet, Eterna Cartridges, Lever Handles &  
 18" Flexible Stainless Steel Supply Hoses w/ 1/2" NPT Male Inlet, Less Nozzle

Product Compliance:  
 ASME A112.18.1 / CSA B125.1  
 NSF 61 - Section 9  
 NSF 372 (Low Lead Content)  
 ANSI A117.1 (ADA)



# T&S BRASS AND BRONZE WORKS, INC.

2 Saddleback Cove / P.O. Box 1088  
Travelers Rest, SC 29690

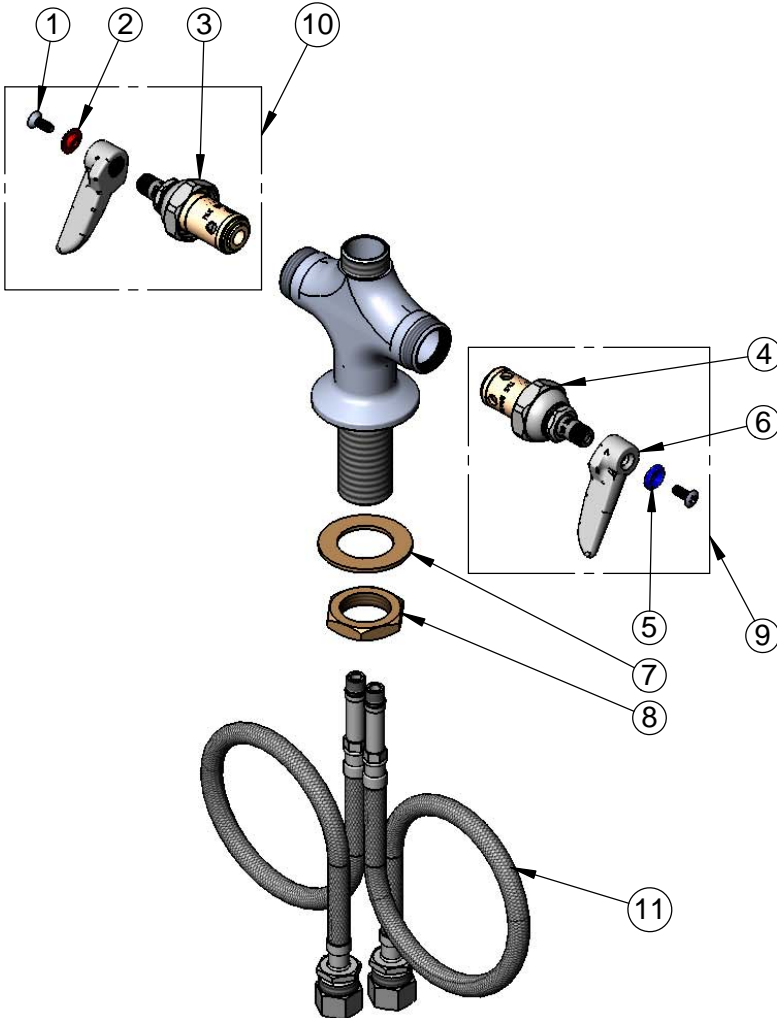
Model No.

**B-0200-LN**

Item No.

Travelers Rest, SC: 800-476-4103 • Simi Valley, CA: 800-423-0150 • Fax: 864-834-3518 • www.tsbrass.com

ITEM NO.	SALES NO.	DESCRIPTION
1	000922-45	Lever Handle Screw
2	001661-45	Red Index-HW
3	005960-40	Eterna Cartridge, RTC
4	005959-40	Eterna Cartridge, LTC
5	001660-45	Blue Index-CW
6	001638-45	Lever Handle
7	002290-45	Lock Washer
8	000965-45	Lock Nut
9	002713-40	Eterna Cartridge LTC w/ Handle, Index & Screw
10	002714-40	Eterna Cartridge RTC w/ Handle, Index & Screw
11	012534-45	18" Flexible Supply Hose (2)

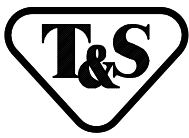


**Product Specifications:**

Single Hole Deck Mount Mixing Faucet, Eterna Cartridges, Lever Handles & 18" Flexible Stainless Steel Supply Hoses w/ 1/2" NPT Male Inlet, Less Nozzle

**Product Compliance:**

ASME A112.18.1 / CSA B125.1  
NSF 61 - Section 9  
NSF 372 (Low Lead Content)  
ANSI A117.1 (ADA)



# T&S BRASS AND BRONZE WORKS, INC.

2 SADDLEBACK COVE / P.O. BOX 1088 / TRAVELERS REST, SC 29690

PHONE 800-476-4103 - FAX 864- 834-3518

Model No.

B-0200-CR-LN

**RELIABILITY  
BUILT IN**

Job Name:

Architect/Engineer Approval:

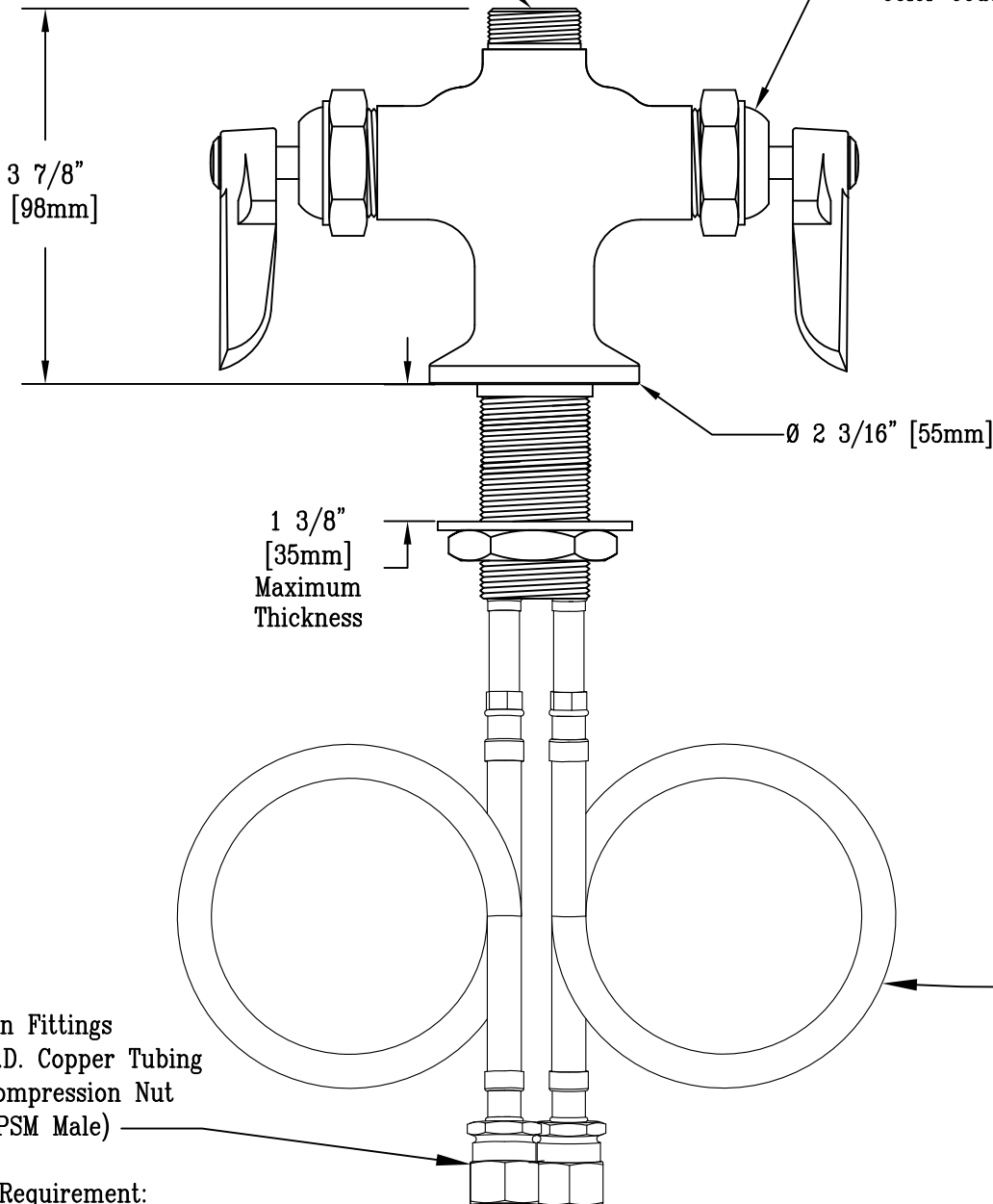
Notes:



ADA COMPLIANT

Swivel Outlet  
Accepts Standard  
T&S Swing Nozzles

Cerama Cartridges &  
Lever Handles w/  
Color Coded Indexes



Compression Fittings  
for 5/8" O.D. Copper Tubing  
(Remove Compression Nut  
for 1/2" NPSM Male)

18" Flexible  
Stainless Steel  
Supply Hoses

Rough-In Requirement:  
Ø 1 1/2" [38mm] Mounting Hole

Product Description:  
Single Hole Deck Mount Mixing Faucet, Cerama Cartridges,  
Lever Handles, 18" Flexible Stainless Steel Supply Hoses  
w/ 1/2" NPT Male Inlets

Drawn:

JRM

Checked

DHL

Scale:

1:2

Approved

JHB

Date:

01/09/15