



T&S BRASS AND BRONZE WORKS, INC.

2 Saddleback Cove / P.O. Box 1088
Travelers Rest, SC 29690



REG. #A2601
ISO #9001

Model No.

B-0199-09-N035

Item No.

Travelers Rest, SC: 800-476-4103 • Simi Valley, CA: 800-423-0150 • Fax: 864-834-3518 • www.tsbrass.com

This Space for Architect/Engineer Approval

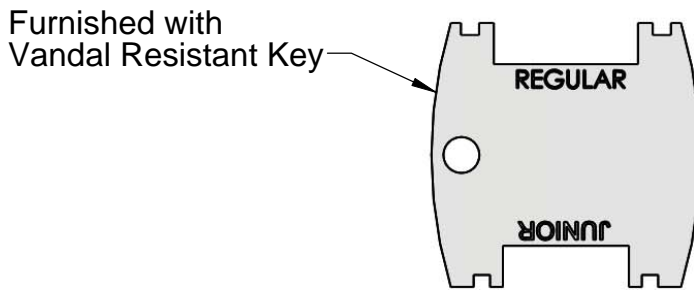
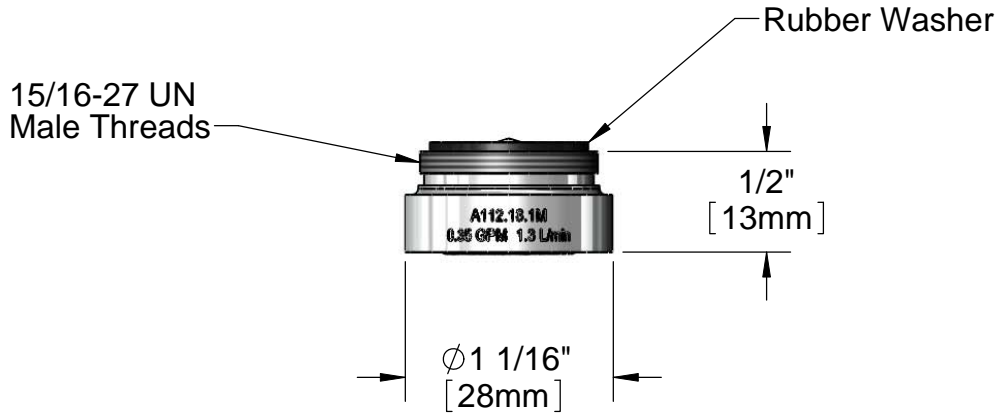
Job Name _____ Date _____

Model Specified _____ Quantity _____

Customer/Wholesaler _____

Contractor _____

Architect/Engineer _____



Product Specifications:
Vandal Resistant 0.35 GPM Non-Aerated Spray Device,
15/16-27 UN Male w/ Installation Key

Drawn

DMH

Checked

JRM

Approved

JHB

Scale:

1:1

Date:

04/18/11



T&S BRASS AND BRONZE WORKS, INC.
 2 Saddleback Cove / P.O. Box 1088
 Travelers Rest, SC 29690

Model No.
B-0199-09-N05

Item No.

Travelers Rest, SC: 800-476-4103 • Simi Valley, CA: 800-423-0150 • Fax: 864-834-3518 • www.tsbrass.com

This Space for Architect/Engineer Approval

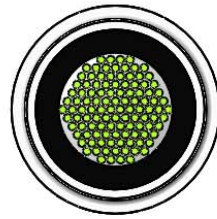
Job Name _____ Date _____

Model Specified _____ Quantity _____

Customer/Wholesaler _____

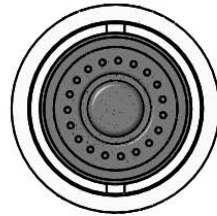
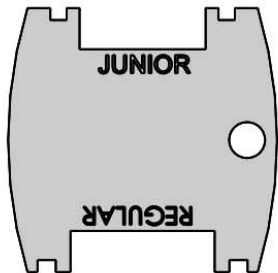
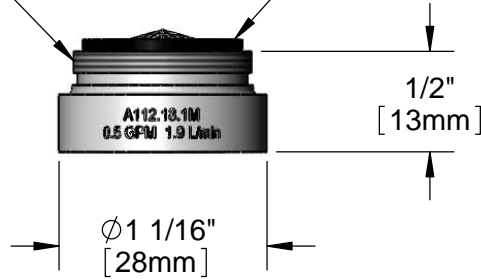
Contractor _____

Architect/Engineer _____



15/16-27 UN
 Male Threads

Rubber Washer



Furnished with
 Vandal Resistant Key

Product Specifications:
 Vandal Resistant 0.5 GPM Non-Aerated Spray Device,
 15/16-27 UN Male w/ Installation Key

Drawn DMH	Checked KJG	Approved JHB
Scale: 1:1		Date: 04/03/13