



# T&S BRASS AND BRONZE WORKS, INC.

2 Saddleback Cove / P.O. Box 1088  
Travelers Rest, SC 29690



REG. #A2601  
ISO #9001

Model No.

**B-0199-07-N035**

Item No.

Travelers Rest, SC: 800-476-4103 • Simi Valley, CA: 800-423-0150 • Fax: 864-834-3518 • www.tsbrass.com

This Space for Architect/Engineer Approval

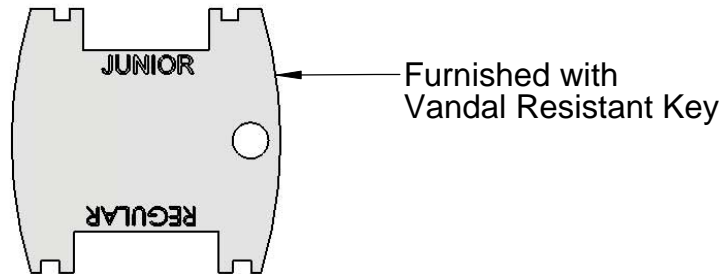
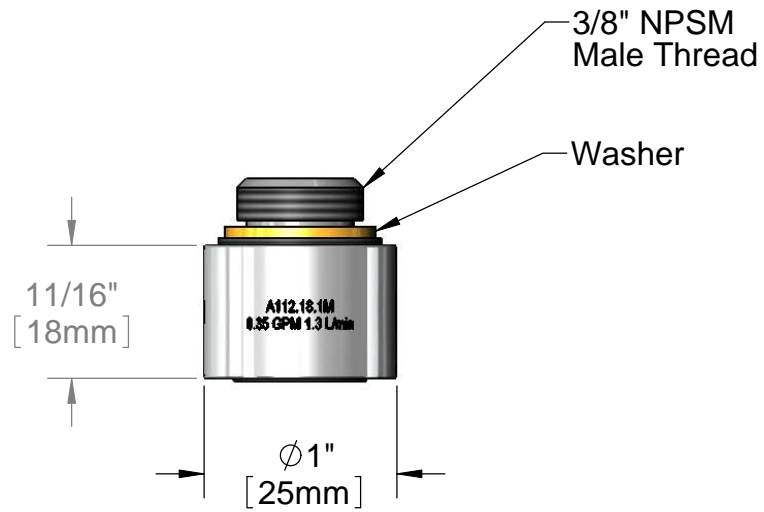
Job Name \_\_\_\_\_ Date \_\_\_\_\_

Model Specified \_\_\_\_\_ Quantity \_\_\_\_\_

Customer/Wholesaler \_\_\_\_\_

Contractor \_\_\_\_\_

Architect/Engineer \_\_\_\_\_



Product Specifications:  
Vandal Resistant 0.35 GPM Non-Aerated Spray Device  
w/ 3/8" NPSM Male Thread & Installation Key

Drawn

DMH

Checked

JRM

Approved

JHB

Scale:

1:1

Date:

04/18/11



# T&S BRASS AND BRONZE WORKS, INC.

2 Saddleback Cove / P.O. Box 1088  
Travelers Rest, SC 29690



REG. #A2601  
ISO #9001

Model No.  
**B-0199-07-N05**

Item No.

Travelers Rest, SC: 800-476-4103 Simi Valley, CA: 800-423-0150 Fax: 864-834-3518 www.tsbrass.com

This Space for Architect/Engineer Approval

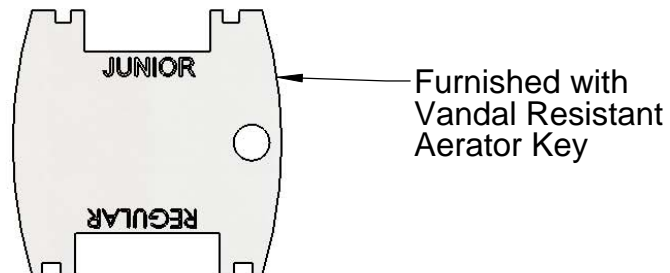
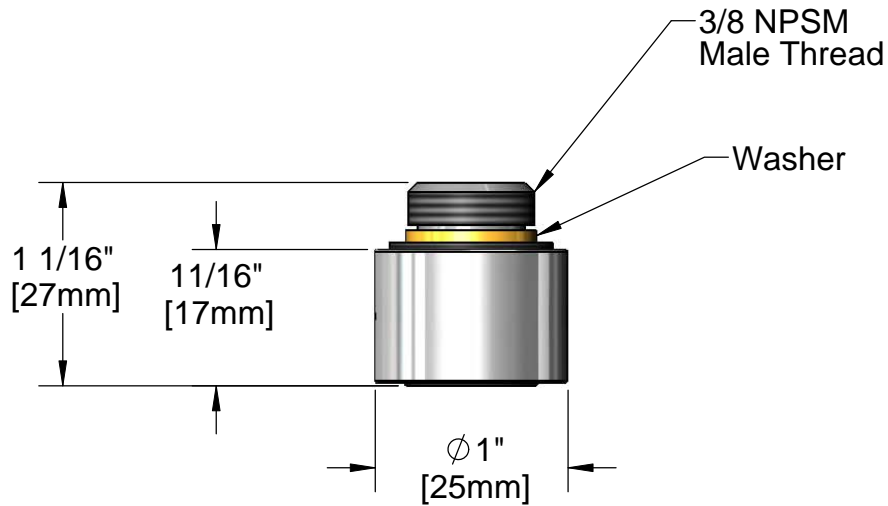
Job Name \_\_\_\_\_ Date \_\_\_\_\_

Model Specified \_\_\_\_\_ Quantity \_\_\_\_\_

Customer/Wholesaler \_\_\_\_\_

Contractor \_\_\_\_\_

Architect/Engineer \_\_\_\_\_



Product Specifications:

**Vandal Resistant 0.5 GPM Non-Aerated Spray Device  
w/ 3/8" NPSM Male Thread & Installation Key**

|                      |                       |                          |
|----------------------|-----------------------|--------------------------|
| Drawn<br><b>DMH</b>  | Checked<br><b>GEF</b> | Approved<br><b>JHB</b>   |
| Scale:<br><b>1:1</b> |                       | Date:<br><b>07/01/10</b> |