



T&S BRASS AND BRONZE WORKS, INC.
 2 Saddleback Cove / P.O. Box 1088
 Travelers Rest, SC 29690

Model No.
B-0199-03F

Item No.

Travelers Rest, SC: 800-476-4103 • Simi Valley, CA: 800-423-0150 • Fax: 864-834-3518 • www.tsbrass.com

This Space for Architect/Engineer Approval

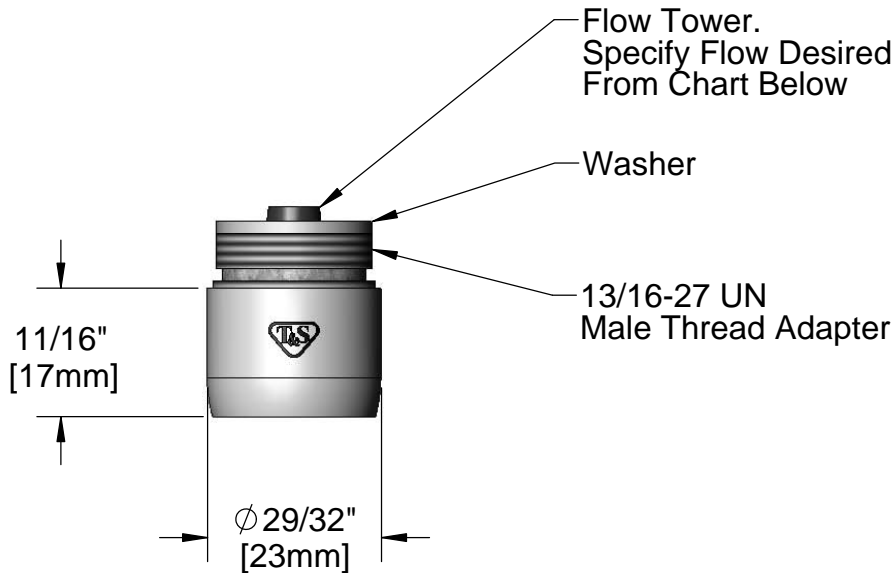
Job Name _____ Date _____

Model Specified _____ Quantity _____

Customer/Wholesaler _____

Contractor _____

Architect/Engineer _____



Select Desired Flow Control and Add Suffix to Model No.

Flow (gpm ±15%)	Suffix	Specify
0.25	-03	B-0199-03F-03
0.40	-05	B-0199-03F-05
0.70	-07	B-0199-03F-07
0.90	-10	B-0199-03F-10
1.20	-12	B-0199-03F-12
1.40	-15	B-0199-03F-15
2.00	-20	B-0199-03F-20

Product Specifications:
 Flow Control Aerator w/ 13/16-27 UN Male Thread Adapter

Product Compliance:
 ASME A112.18.1 / CSA B125.1
 NSF 61 - Section 9
 NSF 372 (Low Lead Content)