



# T&S BRASS AND BRONZE WORKS, INC.

2 SADDLEBACK COVE / P.O. BOX 1088 / TRAVELERS REST, SC 29690

PHONE 800-476-4103

FAX 864-834-3518



REG.#A2601  
ISO #9002

Model No.

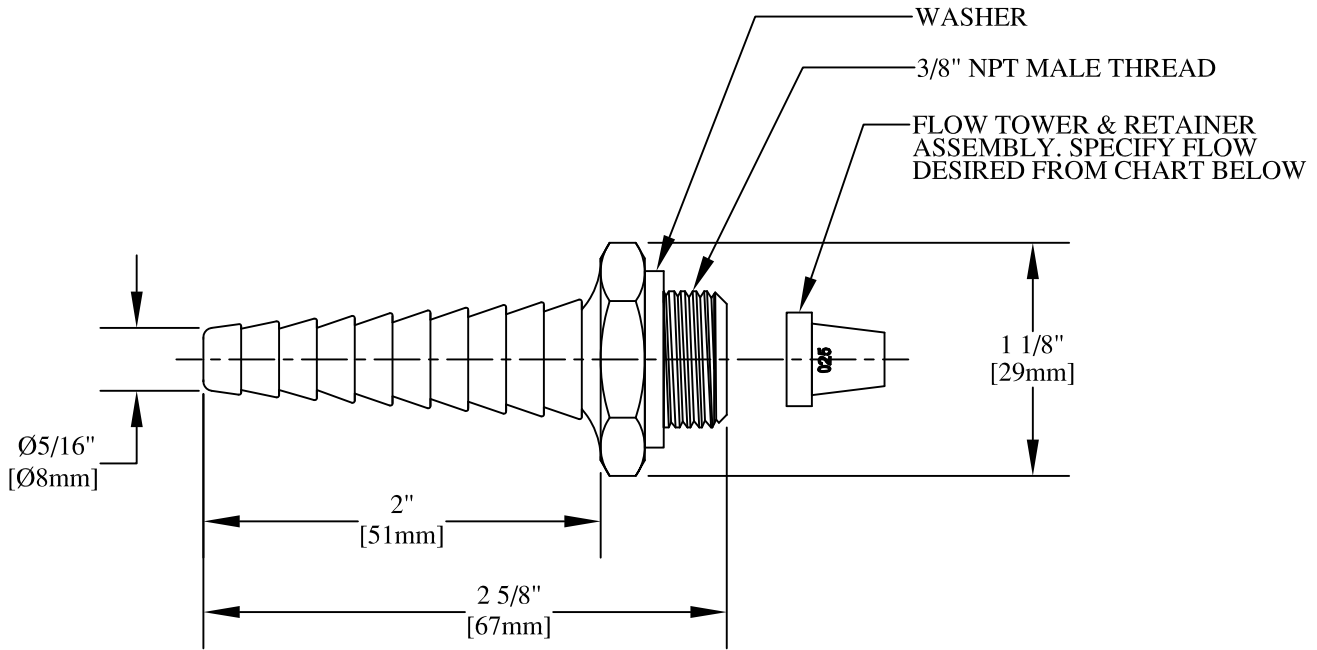
B-0198-F SERIES

Item No.:

Job Name:

Architect/Engineer Approval:

Notes:



FLOW (GPM±15%)	SUFFIX	MODEL NO.
0.25	03	B-0198-F03
0.40	05	B-0198-F05
0.70	07	B-0198-F07
0.90	10	B-0198-F10
1.20	12	B-0198-F12
1.40	15	B-0198-F15
2.00	20	B-0198-F20

NOTE: USE OF FLOW TOWERS ABOVE F05 WILL BE LESS EFFECTIVE IN REDUCING SPLASH ON SERRATED TIP ONLY.

Product Description:  
STRAIGHT SERRATED TIP w/ 3/8" NPT MALE  
THREAD, FLOW TOWER & RETAINER ASSEMBLY

Drawn:

KJG

Checked

DMH

Scale:

1 : 1

Approved

JHB

Date:

10/06/11