



T&S BRASS AND BRONZE WORKS, INC.
 2 Saddleback Cove / P.O. Box 1088
 Travelers Rest, SC 29690

Model No.
B-0177

Item No.

Travelers Rest, SC: 800-476-4103 • Simi Valley, CA: 800-423-0150 • Fax: 864-834-3518 • www.tsbrass.com



ADA Compliant

This Space for Architect/Engineer Approval

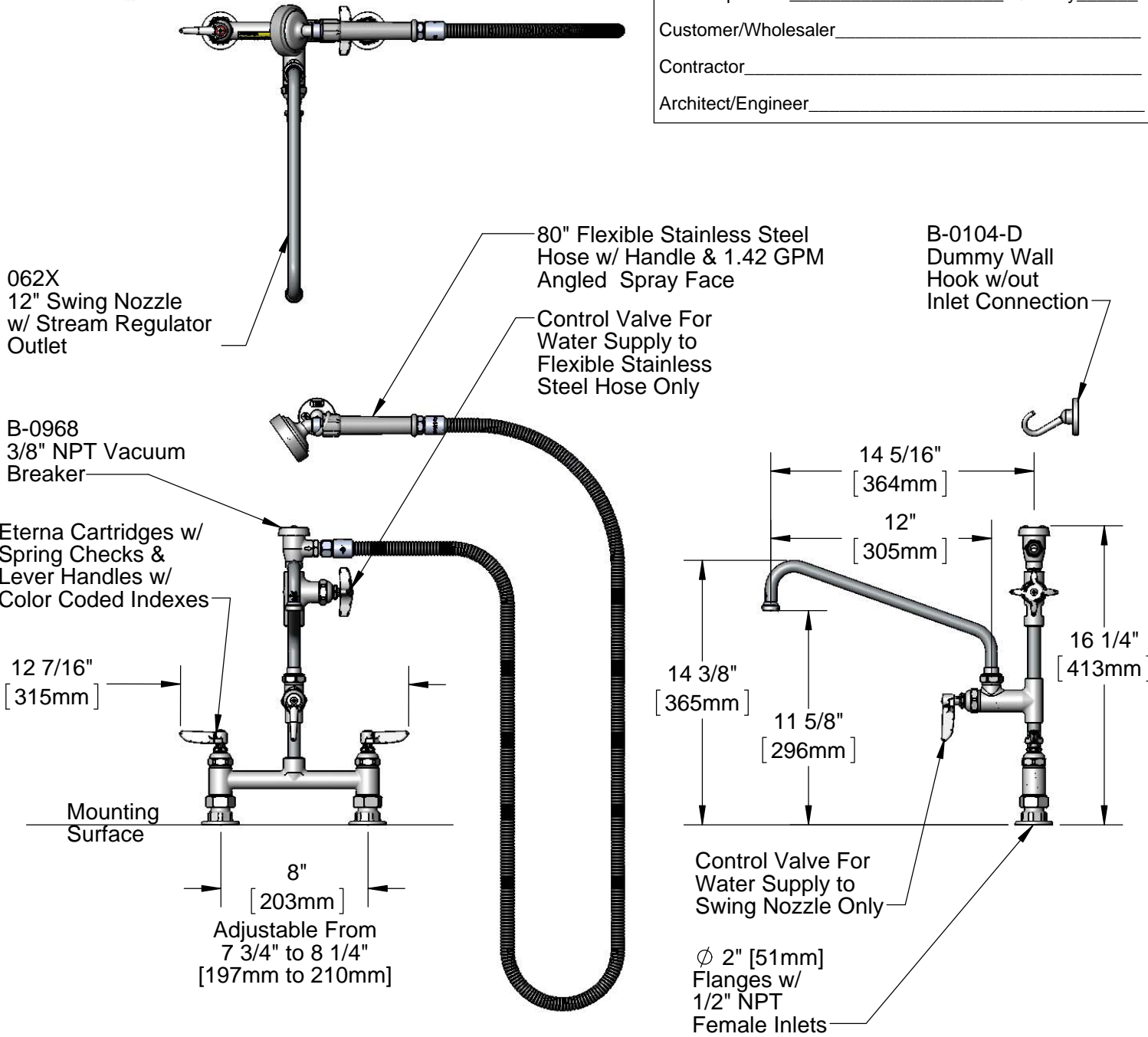
Job Name _____ Date _____

Model Specified _____ Quantity _____

Customer/Wholesaler _____

Contractor _____

Architect/Engineer _____



Product Specifications:

8" Deck Mount Mixing Faucet, Eterna Cartridges w/ Spring Checks, Add-On Faucet, 12" Swing Nozzle, Control Valve, Vacuum Breaker, 80" Flexible Stainless Steel Hose, 1.42 GPM Angled Spray Face & 1/2" NPT Female Inlets

Product Compliance:

ASME A112.18.1 / CSA B125.1
 NSF 61 - Section 9
 NSF 372 (Low Lead Content)
 ANSI A117.1 (ADA)
 ASSE 1001



T&S BRASS AND BRONZE WORKS, INC.

2 Saddleback Cove / P.O. Box 1088
Travelers Rest, SC 29690

Model No.

B-0177

Item No.

Travelers Rest, SC: 800-476-4103 • Simi Valley, CA: 800-423-0150 • Fax: 864-834-3518 • www.tsbrass.com

ITEM NO.	SALES NO.	DESCRIPTION
1	B-PT	Stream Regulator Outlet
2	001048-45	Nozzle Tip Washer
3	062X	12" Swing Nozzle
4	B-0156	Add-On Faucet w/ 12" Swing Nozzle
5	000360-40	Nipple, 3/8" NPT x 4"
6	002521-45	4-Arm Handle
7	005960-40	Eterna Cartridge, RTC
8	002535-25	3/8" Close Nipple
9	010476-45	#27 Washer
10	053A	Adapter, 3/8" NPT Male x 3/4-14 UN
11	B-0968	3/8" NPT Vacuum Breaker
12	B-0104-D	Dummy Wall Hook
13	005969-40	1.42 GPM Angled Spray Face
14	002987-40	Grip Handle
15	001014-45	Washer, B-0100 Hose Barrel
16	001019-45	Coupling Nut Washer
17	00AA	1/2" NPT Female Eccentric Flange
18	002711-40	Eterna Cartridge, LTC w/ Spring Check, Lever Handle, Index & Screw
19	012442-40	Eterna Cartridge, LTC w/ Spring Check
20	001638-45	Lever Handle
21	001660-45	Blue Index-CW
22	000922-45	Lever Handle Screw
23	000358-40	Nipple, 3/8" NPT x 3"
24	012443-40	Eterna Cartridge, RTC w/ Spring Check
25	001661-45	Red Index-HW
26	005960-40QT	1/4 Turn Eterna Cartridge, RTC
27	B-0155-LN	Add-On Faucet, Eterna Cartridge & Lever Handle, Less Nozzle
28	002712-40	Eterna Cartridge, RTC w/ Spring Check, Lever Handle, Index & Screw

Product Specifications:
8" Deck Mount Mixing Faucet, Eterna Cartridges w/ Spring Checks, Add-On Faucet, 12" Swing Nozzle, Control Valve, Vacuum Breaker, 80" Flexible Stainless Steel Hose, 1.42 GPM Angled Spray Face & 1/2" NPT Female Inlets

Product Compliance:
ASME A112.18.1 / CSA B125.1
NSF 61 - Section 9
NSF 372 (Low Lead Content)
ANSI A117.1 (ADA)
ASSE 1001



T&S BRASS AND BRONZE WORKS, INC.
 2 Saddleback Cove / P.O. Box 1088
 Travelers Rest, SC 29690

Model No.
B-0177-60X-LF22

Item No.

Travelers Rest, SC: 800-476-4103 • Simi Valley, CA: 800-423-0150 • Fax: 864-834-3518 • www.tsbrass.com



ADA Compliant

This Space for Architect/Engineer Approval

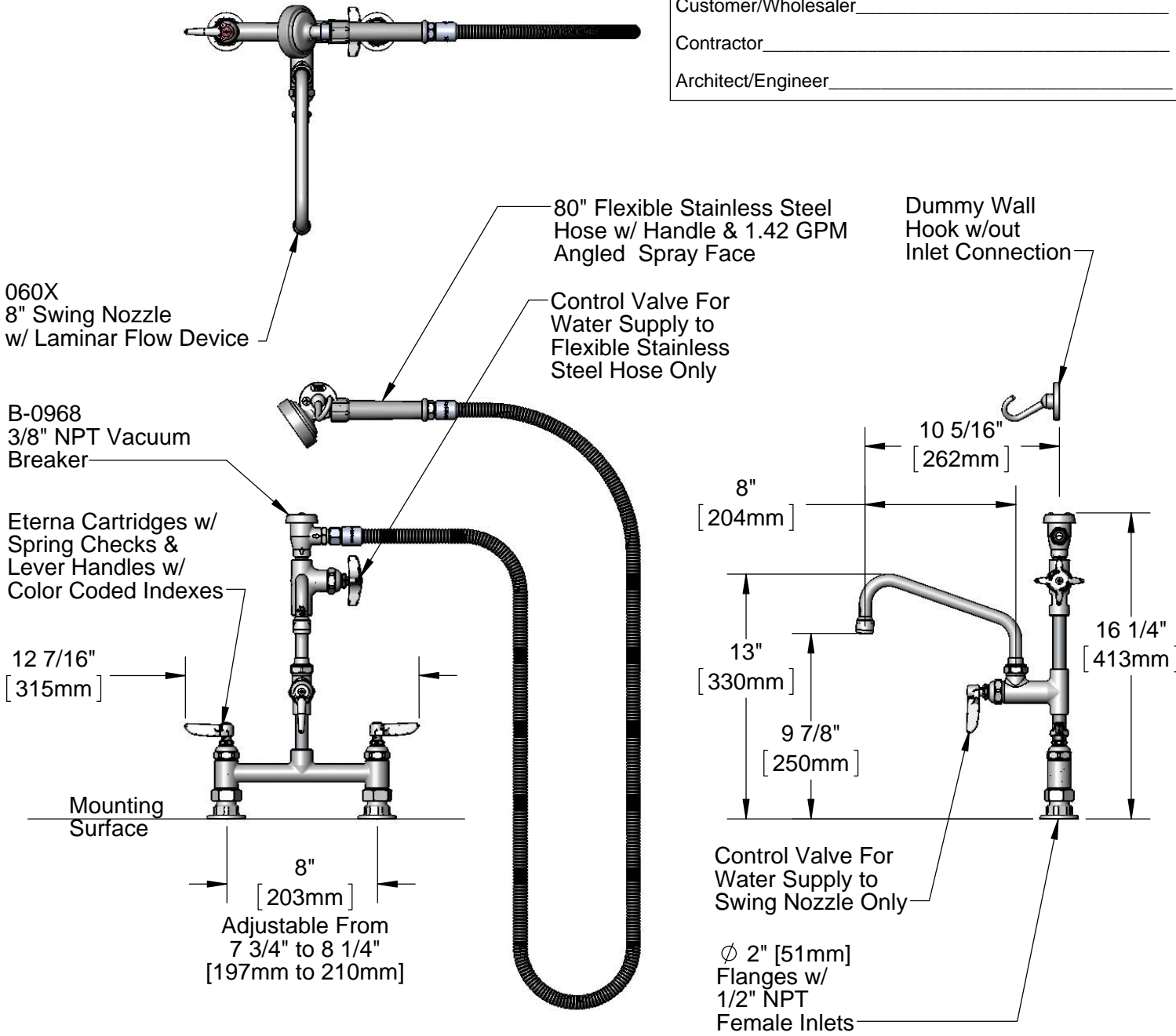
Job Name _____ Date _____

Model Specified _____ Quantity _____

Customer/Wholesaler _____

Contractor _____

Architect/Engineer _____



Product Specifications:
 8" Deck Mount Mixing Faucet, Eterna Cartridges w/ Spring Checks,
 Add-On Faucet, 8" Swing Nozzle w/ Laminar Flow Device, Control
 Valve, Vacuum Breaker, 80" Flexible Stainless Steel Hose, 1.42 GPM
 Angled Spray Face & 1/2" NPT Female Inlets

Product Compliance:
 ASME A112.18.1 / CSA B125.1
 NSF 61 - Section 9
 NSF 372 (Low Lead Content)
 ANSI A117.1 (ADA)
 ASSE 1001 (VB)



T&S BRASS AND BRONZE WORKS, INC.

2 Saddleback Cove / P.O. Box 1088
Travelers Rest, SC 29690

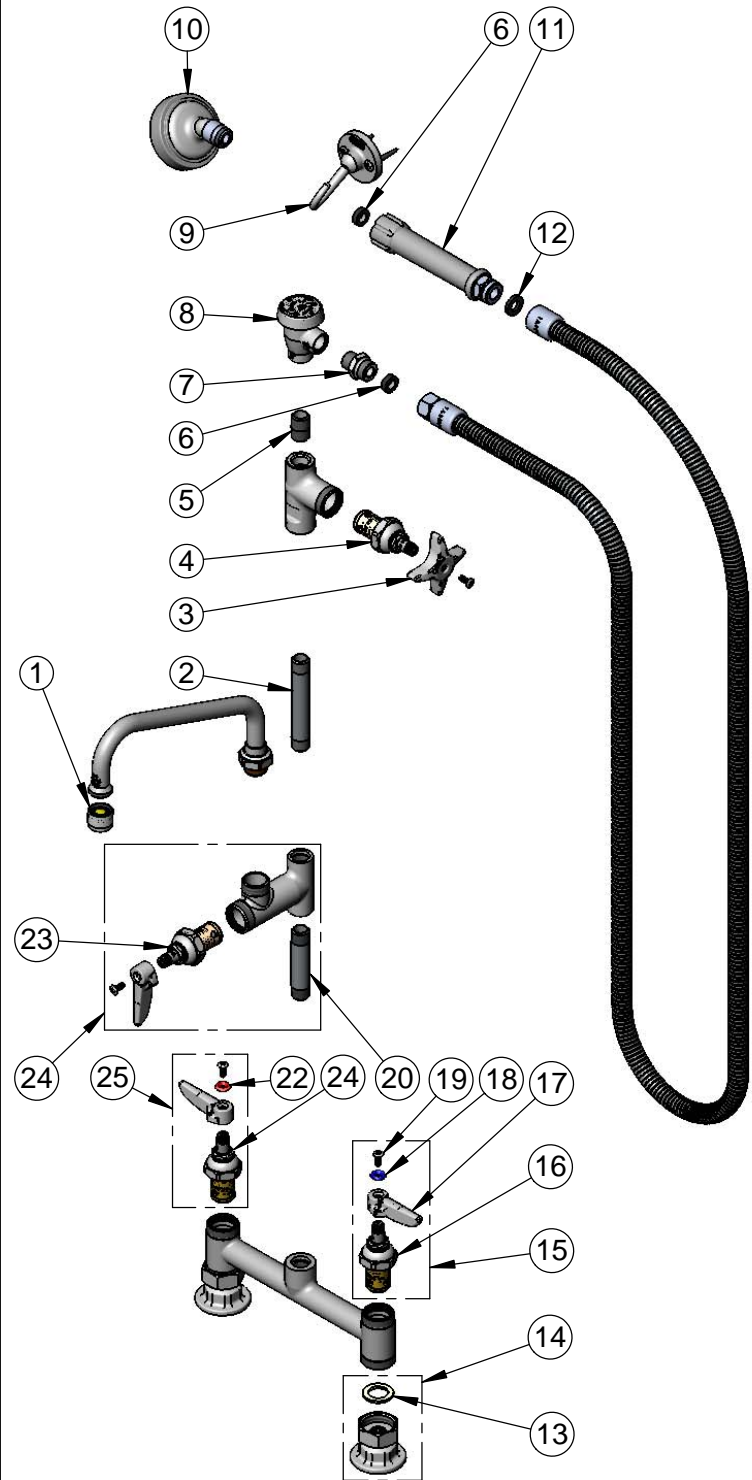
Model No.

B-0177-60X-LF22

Item No.

Travelers Rest, SC: 800-476-4103 • Simi Valley, CA: 800-423-0150 • Fax: 864-834-3518 • www.tsbrass.com

ITEM NO.	SALES NO.	DESCRIPTION
1	B-0199-21	Laminar Flow Device
2	000360-40	Nipple, 3/8" NPT x 4"
3	002521-45	4-Arm Handle
4	005960-40	Eterna Cartridge, RTC
5	002535-25	3/8" Close Nipple
6	010476-45	#27 Washer
7	053A	Adapter, 3/8" NPT Male x 3/4-14 UN
8	B-0968	3/8" NPT Vacuum Breaker
9	B-0104-D	Dummy Wall Hook
10	005969-40	1.42 GPM Angled Spray Face
11	002987-40	Grip Handle
12	001014-45	Washer, B-0100 Hose Barrel
13	001019-45	Coupling Nut Washer
14	00AA	1/2" NPT Female Eccentric Flange
15	002711-40	Eterna Cartridge, LTC w/ Spring Check, Lever Handle, Index & Screw
16	012442-40	Eterna Cartridge, LTC w/ Spring Check
17	001638-45	Lever Handle
18	001660-45	Blue Index-CW
19	000922-45	Lever Handle Screw
20	000358-40	Nipple, 3/8" NPT x 3"
21	012443-40	Eterna Cartridge, RTC w/ Spring Check
22	001661-45	Red Index-HW
23	005960-40QT	1/4 Turn Eterna Cartridge, RTC
24	B-0155-LN	Add-On Faucet, Eterna Cartridge & Lever Handle, Less Nozzle
25	002712-40	Eterna Cartridge, RTC w/ Spring Check, Lever Handle, Index & Screw



Product Specifications:
8" Deck Mount Mixing Faucet, Eterna Cartridges w/ Spring Checks, Add-On Faucet, 8" Swing Nozzle w/ Laminar Flow Device, Control Valve, Vacuum Breaker, 80" Flexible Stainless Steel Hose, 1.42 GPM Angled Spray Face & 1/2" NPT Female Inlets

Product Compliance:
ASME A112.18.1 / CSA B125.1
NSF 61 - Section 9
NSF 372 (Low Lead Content)
ANSI A117.1 (ADA)
ASSE 1001 (VB)