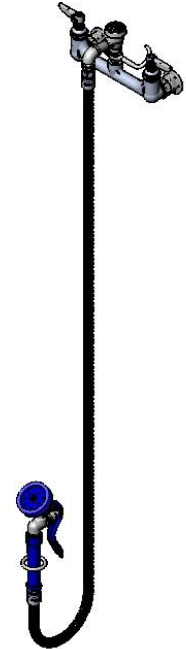
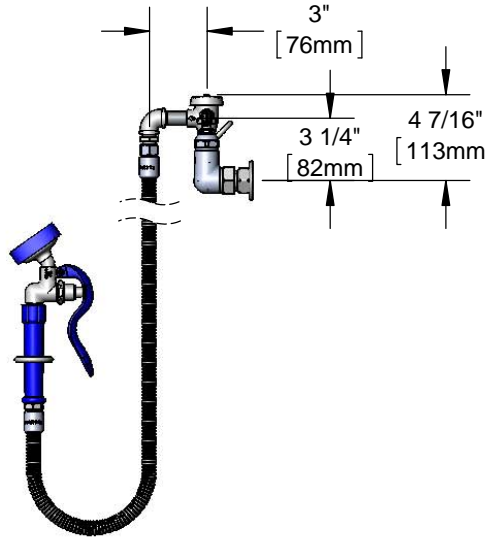
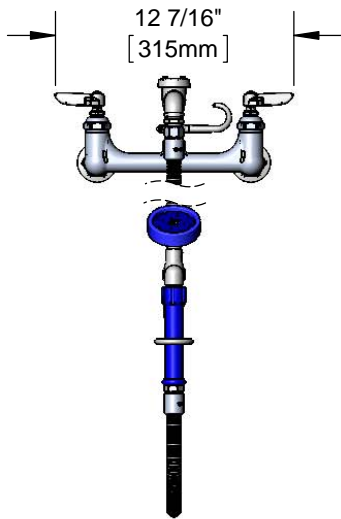




Architect/Engineering Specifications:

8" Wall mount mixing faucet with polished chrome plated brass body, 3/8" NPT vacuum breaker, 68" flexible stainless steel hose with heat resistant handle, high flow angled spray valve, compression cartridges with spring checks, lever handles, 1/2" NPT female inlets, spray valve holder. Certified to ASME A112.18.1/CSA B125.1, NSF 372 and ASSE 1001.

Job Name _____
 Model Specified _____ Quantity _____
 Variations Specified _____
 Date _____



Features & Benefits:

- 8" Wall mount mixing faucet with polished chrome plated brass body
- 3/8" NPT Vacuum breaker
- 68" flexible stainless steel hose w/ heat resistant blue handle and hold down ring
- High flow blue angled spray valve
- Eterna compression cartridges with spring checks to prevent cross flow of water
- Lever handles with color coded indexes
- 1/2" NPT female eccentric inlets with Ø2" flanges
- Adjustable centers from 7 3/4" to 8 1/4"
- Material: Polished chrome plated brass body, inlets, spray valve body, stainless steel hose and chrome plated metal handles

Product Compliance:

- ASME A112.18.1 / CSA B125.1
- NSF 61 - Section 9
- NSF 372 (Low Lead Content)
- EPA Act 2005 Non-Compliant (PRSV)
- ASSE 1001



Warranty: One Year (Limited)

Performance Data:

- Pressure: 20 - 125 psi
- Temperature: 40°F - 140°F
- Flow Rate: 3.93 GPM @ 60 psi



Optional Handles

- 4" Wrist Action
- Lever (Standard)
- 4-Arm

Optional Cartridges With Checks

- Quarter Turn Cerama w/ Check Valve
- Quarter Turn Eterna w/ Spring Check (Standard)

Optional Pre-Rinse Spray Valves

- B-0107 (1.42 GPM)
- B-0107-C (0.65 GPM)
- B-0107-J (1.07 GPM)

