



Architect/Engineering Specifications:

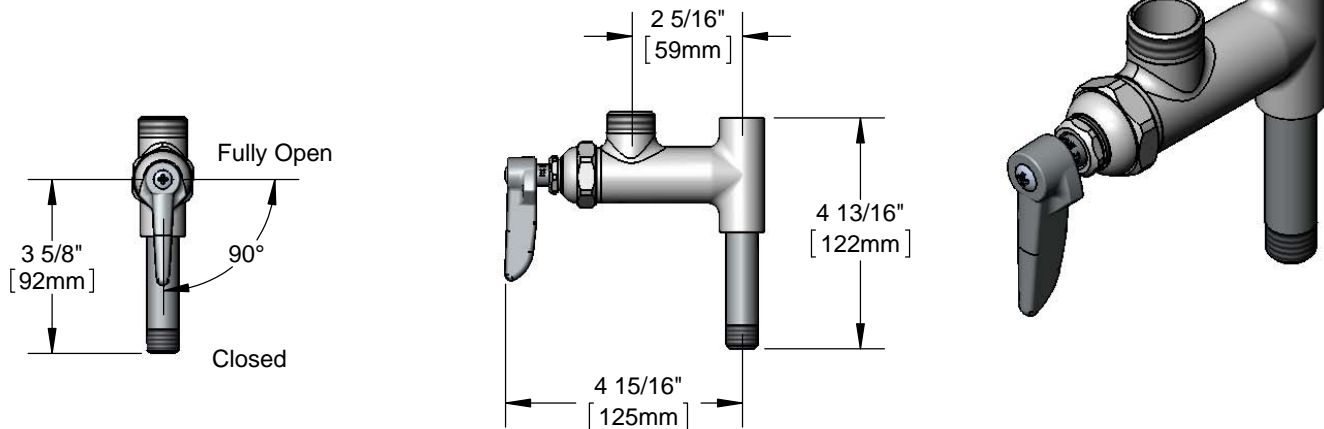
Add-on faucet with polished chrome plated brass body (less nozzle), 3/8" NPT female outlet, compression cartridge, lever handle and 3/8" NPT male inlet . Certified to ASME A112.18.1/CSA B125.1, NSF 61-Section 9 and NSF 372. Meets ADA ANSI/ICC A117.1 requirements.

Job Name _____

Model Specified _____ Quantity _____

Variations Specified _____

Date _____



Features & Benefits:

- Add-On faucet w/ polished chrome plated brass body (less nozzle)
- 3/8" NPT female outlet
- 1/4 turn Eterna Compression cartridge
- Lever handle
- 3" Nipple w/ 3/8" NPT male inlet
- Material: Polished chrome plated brass body, nipple and chrome plated metal handle.

Product Compliance:

- ASME A112.18.1 / CSA B125.1
- NSF 61 - Section 9
- NSF 372 (Low Lead Content)
- ANSI A117.1 (ADA)



Warranty: One Year (Limited)

Performance Data:

- Pressure: 20 - 125 psi
 - Temperature: 40°F - 140°F
 - Flow Rate: 9.46 GPM @ 60 psi
- (Outlet Device &/or Final Configuration May Reduce Flow Rate)



ADA Compliant

Optional Handles & Optional Cartridges

Optional Handles

- 4" Wrist Action
- Lever (Standard)
- 4-Arm

Optional Cartridges

- Quarter Turn Cerama
- Eterna
- Quarter Turn Eterna (Standard)
- Metering

