

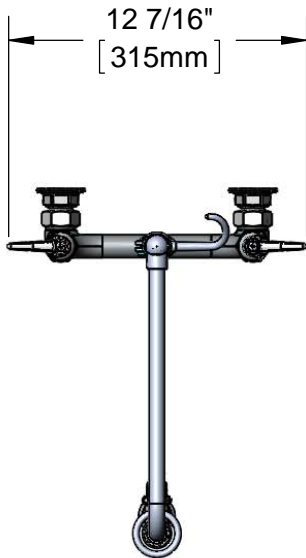


T&S BRASS AND BRONZE WORKS, INC.
 2 Saddleback Cove / P.O. Box 1088
 Travelers Rest, SC 29690

Model No.
B-0131-C

Item No.

Travelers Rest, SC: 800-476-4103 • Simi Valley, CA: 800-423-0150 • Fax: 864-834-3518 • www.tsbrass.com



This Space for Architect/Engineer Approval

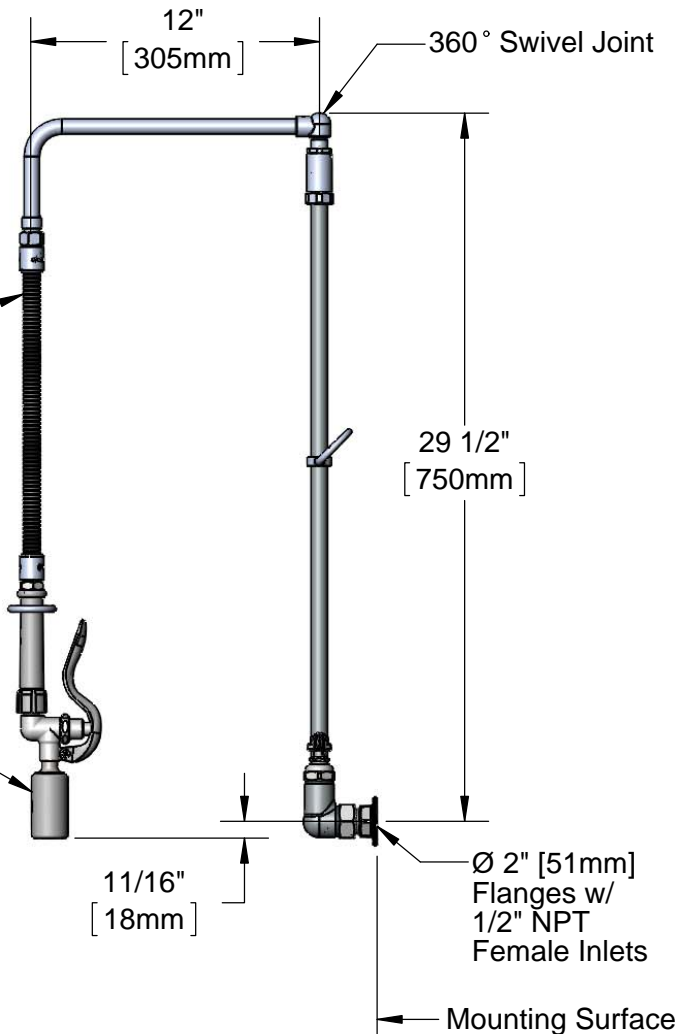
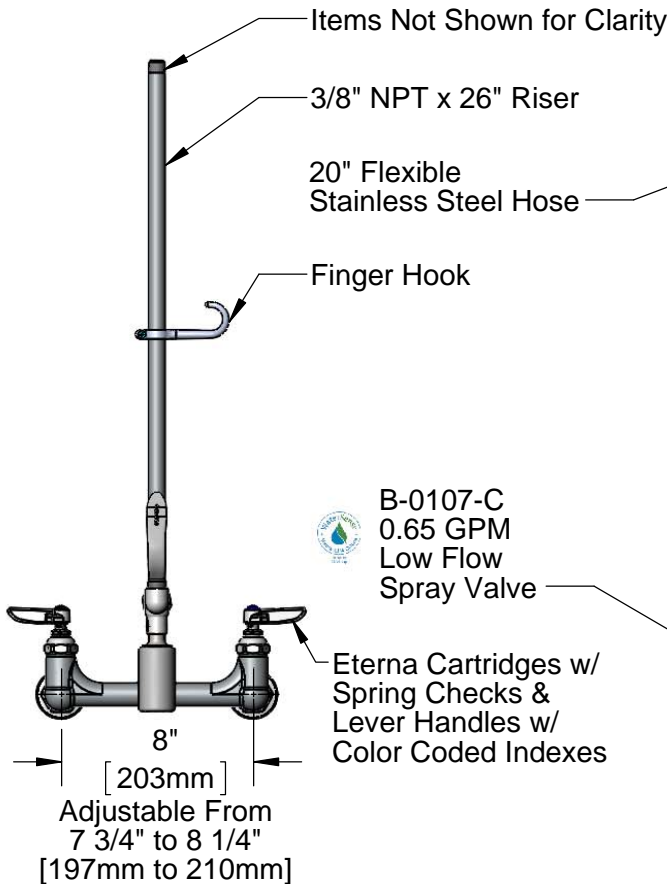
Job Name _____ Date _____

Model Specified _____ Quantity _____

Customer/Wholesaler _____

Contractor _____

Architect/Engineer _____



Product Specifications:

Pre-Rinse Unit: 8" Wall Mount Mixing Faucet, Quarter-Turn Eterna Cartridges w/ Spring Checks, Lever Handles, Overhead Swivel Arm, 20" Flexible Stainless Steel Hose w/ 0.65 GPM Low Flow Spray Valve and 1/2" NPT Female Inlets

Product Compliance:

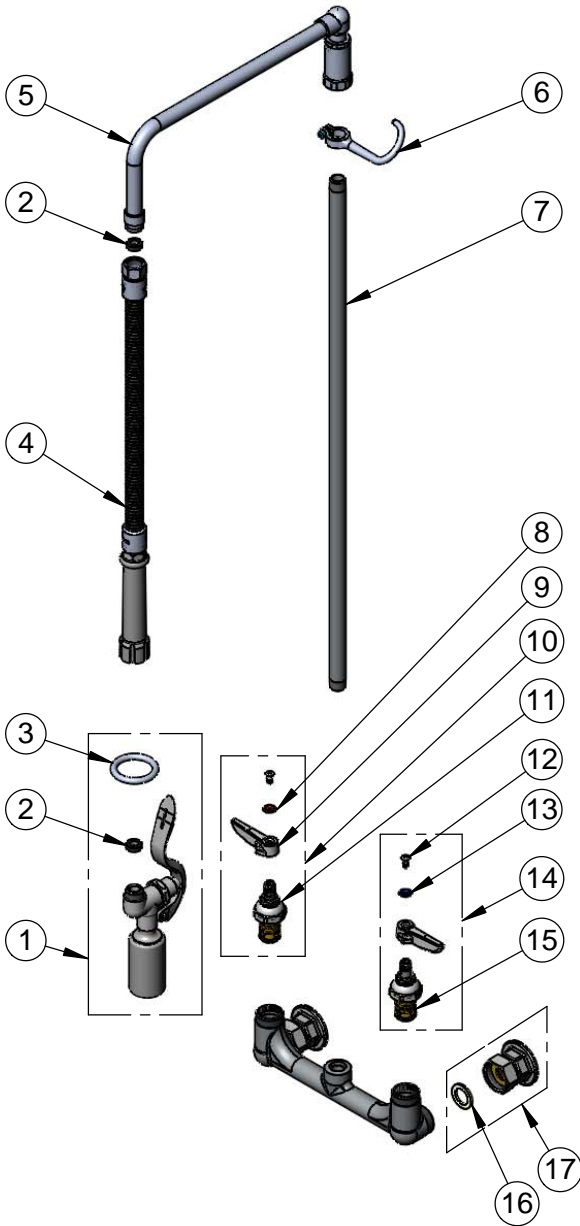
ASME A112.18.1 / CSA B125.1
 NSF 61 - Section 9
 NSF 372 (Low Lead Content)
 EPA Act 2005 (PRSV)
 EPA WaterSense (PRSV)



T&S BRASS AND BRONZE WORKS, INC.
 2 Saddleback Cove / P.O. Box 1088
 Travelers Rest, SC 29690

Model No.
B-0131-C
 Item No.

Travelers Rest, SC: 800-476-4103 • Simi Valley, CA: 800-423-0150 • Fax: 864-834-3518 • www.tsbrass.com



ITEM	PART NO.	DESCRIPTION
1	B-0107-C	0.65 GPM Low Flow Spray Valve
2	010476-45	#27 Washer
3	009848-45	Spray Valve Hold Down Ring
4	B-0020-H	Flexible Stainless Steel Hose
5	002882-40	L-Tube Assembly, 12"
6	004R	Finger Hook
7	000373-40	3/8" NPT x 26" Riser
8	001661-45	Red Index-HW
9	001638-45	Lever Handle
10	002712-40	Quarter-Turn Eterna Cartridge, RTC w/ Spring Check, Handle, Index & Screw
11	0127443-40	Quarter-Turn Eterna Cartridge, RTC w/ Spring Check
12	000922-45	Lever Handle Screw
13	001660-45	Blue Index-CW
14	002711-40	Quarter-Turn Eterna Cartridge, LTC w/ Spring Check, Handle, Index & Screw
15	0127442-40	Quarter-Turn Eterna Cartridge, LTC w/ Spring Check
16	009625-45	Coupling Nut Washer
17	00AA	1/2" NPT Female Eccentric Flange

Product Specifications:

Pre-Rinse Unit: 8" Wall Mount Mixing Faucet, Quarter-Turn Eterna Cartridges w/ Spring Checks, Lever Handles, Overhead Swivel Arm, 20" Flexible Stainless Steel Hose w/ 0.65 GPM Low Flow Spray Valve and 1/2" NPT Female Inlets

Product Compliance:

ASME A112.18.1 / CSA B125.1
 NSF 61 - Section 9
 NSF 372 (Low Lead Content)
 EPA Act 2005 (PRSV)
 EPA WaterSense (PRSV)