



T&S BRASS AND BRONZE WORKS, INC.
 2 SADDLEBACK COVE / P.O. BOX 1088 / TRAVELERS REST, SC 29690
 PHONE 800-476-4103 - FAX 864- 834-3518



Model No.

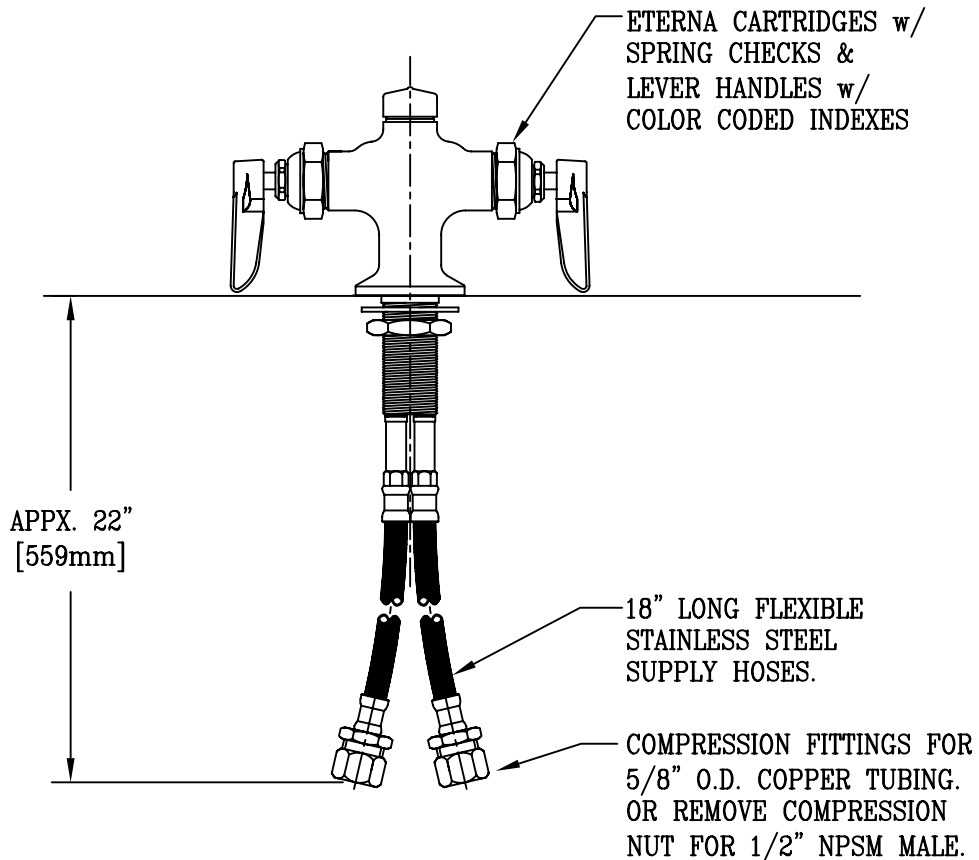
B-0113-LN

**RELIABILITY
 BUILT IN**

Job Name:

Architect/Engineer Approval:

Notes:



Product Description:
 EASY INSTALL PRE-RINSE UNIT BASE FCT. ONLY
 FURNISHED w/ (2) 012534-45 FLEXIBLE SUPPLY HOSES

Drawn:

WJS

Approved

JHB

Checked

JRM

Scale:

1:4

Date:

01/19/10