



**T&S BRASS AND BRONZE WORKS, INC.**  
 2 Saddleback Cove / P.O. Box 1088  
 Travelers Rest, SC 29690

Model No.  
**B-0103-F SERIES**

Item No.

Travelers Rest, SC: 800-476-4103 • Simi Valley, CA: 800-423-0150 • Fax: 864-834-3518 • www.tsbrass.com

This Space for Architect/Engineer Approval

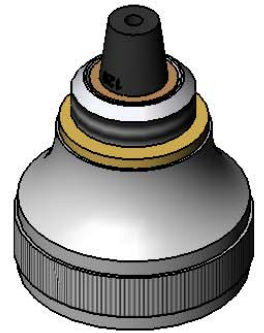
Job Name \_\_\_\_\_ Date \_\_\_\_\_

Model Specified \_\_\_\_\_ Quantity \_\_\_\_\_

Customer/Wholesaler \_\_\_\_\_

Contractor \_\_\_\_\_

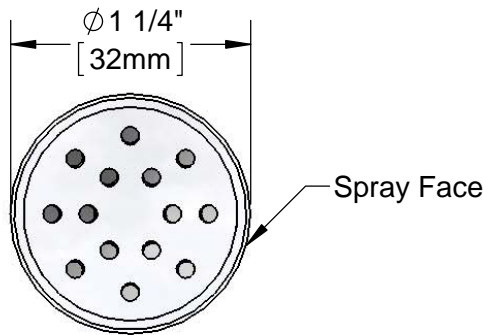
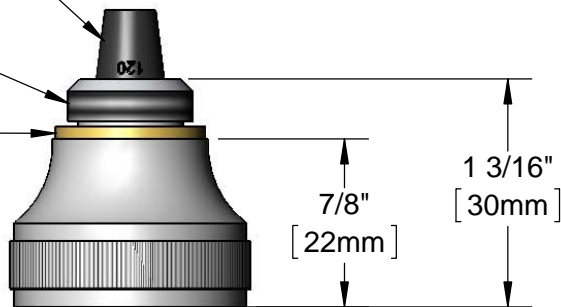
Architect/Engineer \_\_\_\_\_



Flow Tower.  
 Specify Flow Desired  
 From Chart Below

3/8" NPSM  
 Male Thread

Washer  
 (Included)



Flow (gpm ±15%)	Laser Marking	Specify
0.25	025	B-0103-F03
0.4	040	B-0103-F05
0.7	070	B-0103-F07
0.9	090	B-0103-F10
1.2	120	B-0103-F12
1.4	140	B-0103-F15
2.0	200	B-0103-F20

Product Specifications:  
 Rosespray w/ Flow Tower & Holder

Drawn <b>KJG</b>	Checked <b>DMH</b>	Approved <b>JHB</b>
Scale: <b>1:1</b>		Date: <b>01/28/14</b>