



T&S BRASS AND BRONZE WORKS, INC.
 2 Saddleback Cove / P.O. Box 1088
 Travelers Rest, SC 29690

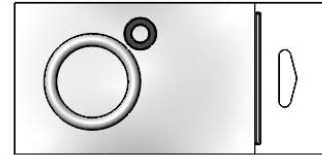
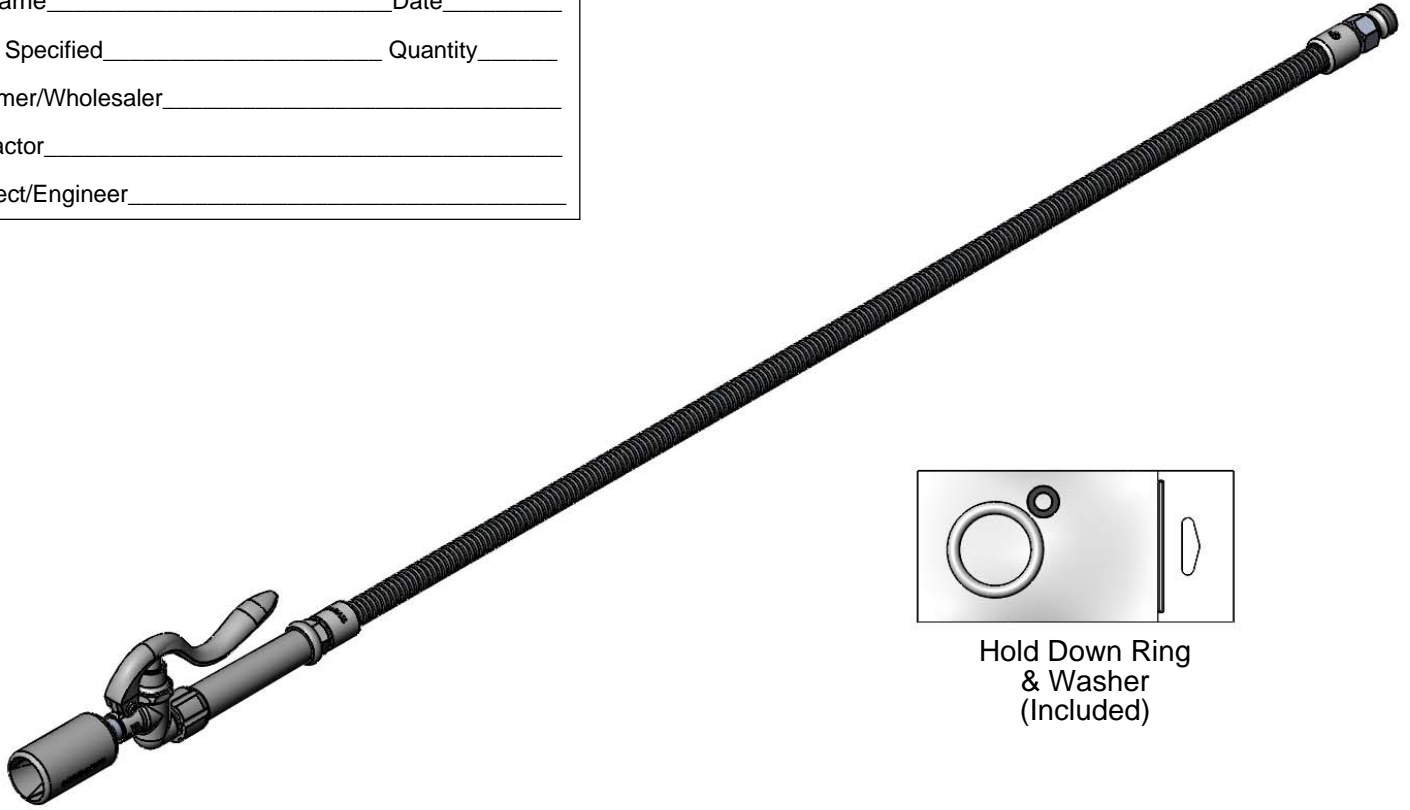
Model No.
B-0100-C

Item No.

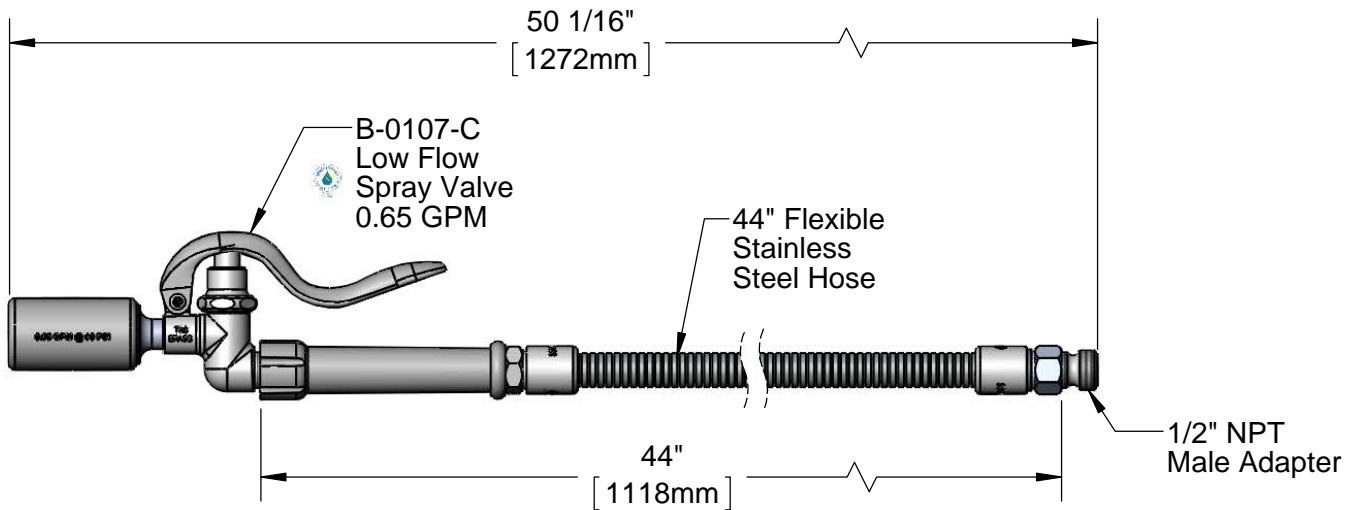
Travelers Rest, SC: 800-476-4103 • Simi Valley, CA: 800-423-0150 • Fax: 864-834-3518 • www.tsbrass.com

This Space for Architect/Engineer Approval

Job Name _____ Date _____
 Model Specified _____ Quantity _____
 Customer/Wholesaler _____
 Contractor _____
 Architect/Engineer _____



Hold Down Ring
 & Washer
 (Included)



Product Specifications:
B-0107-C Low Flow Spray Valve w/ 44" Flexible Stainless Steel Hose & Adapter

Product Compliance:
 ASME A112.18.1 / CSA B125.1
 NSF 61 - Section 9
 NSF 372 (Low Lead Content)
 EPA Act 2005 (PRSV)
 EPA WaterSense (PRSV)



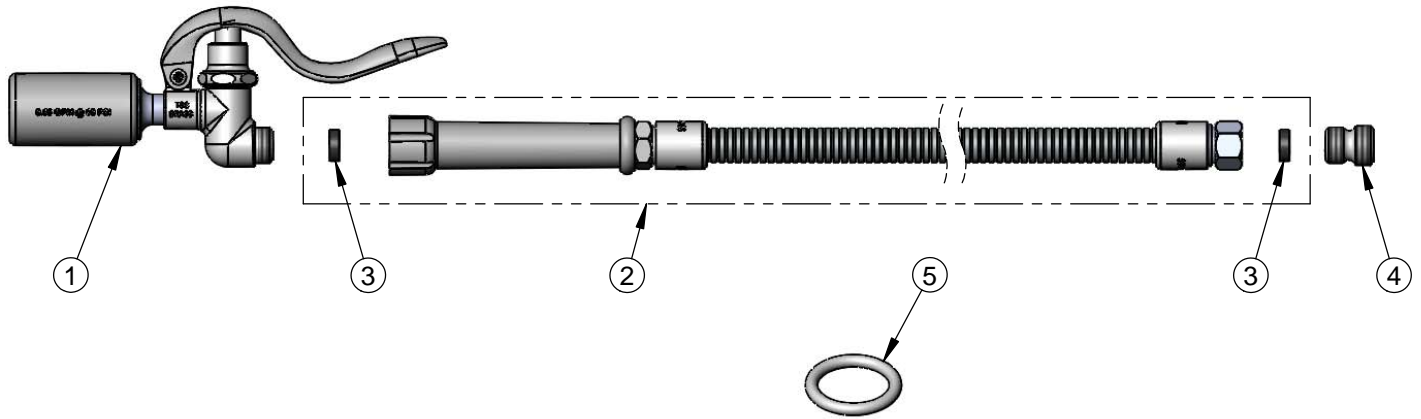
T&S BRASS AND BRONZE WORKS, INC.
 2 Saddleback Cove / P.O. Box 1088
 Travelers Rest, SC 29690

Model No.
B-0100-C

Item No.

Travelers Rest, SC: 800-476-4103 • Simi Valley, CA: 800-423-0150 • Fax: 864-834-3518 • www.tsbrass.com

ITEM NO.	SALES NO.	DESCRIPTION
1	B-0107-C	0.65 GPM Low Flow Spray Valve
2	B-0044-H	44" Stainless Steel Flex Hose
3	010476-45	#27 Washer
4	055A	Adapter, 1/2 NPT Male
5	000907-45	Spray Valve Hold Down Ring



Product Specifications:
**B-0107-C Low Flow Spray Valve w/ 44" Flexible Stainless Steel
 Hose & Adapter**

Product Compliance:
 ASME A112.18.1 / CSA B125.1
 NSF 61 - Section 9
 NSF 372 (Low Lead Content)
 EPA Act 2005 (PRSV)
 EPA WaterSense (PRSV)



T&S BRASS AND BRONZE WORKS, INC.

2 Saddleback Cove / P.O. Box 1088
Travelers Rest, SC 29690

Model No.

B-0100-C-SWV

Item No.

Travelers Rest, SC: 800-476-4103 • Simi Valley, CA: 800-423-0150 • Fax: 864-834-3518 • www.tsbrass.com

This Space for Architect/Engineer Approval

Job Name _____ Date _____

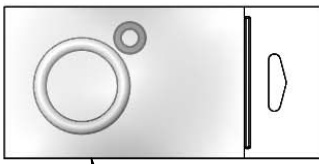
Model Specified _____ Quantity _____

Customer/Wholesaler _____

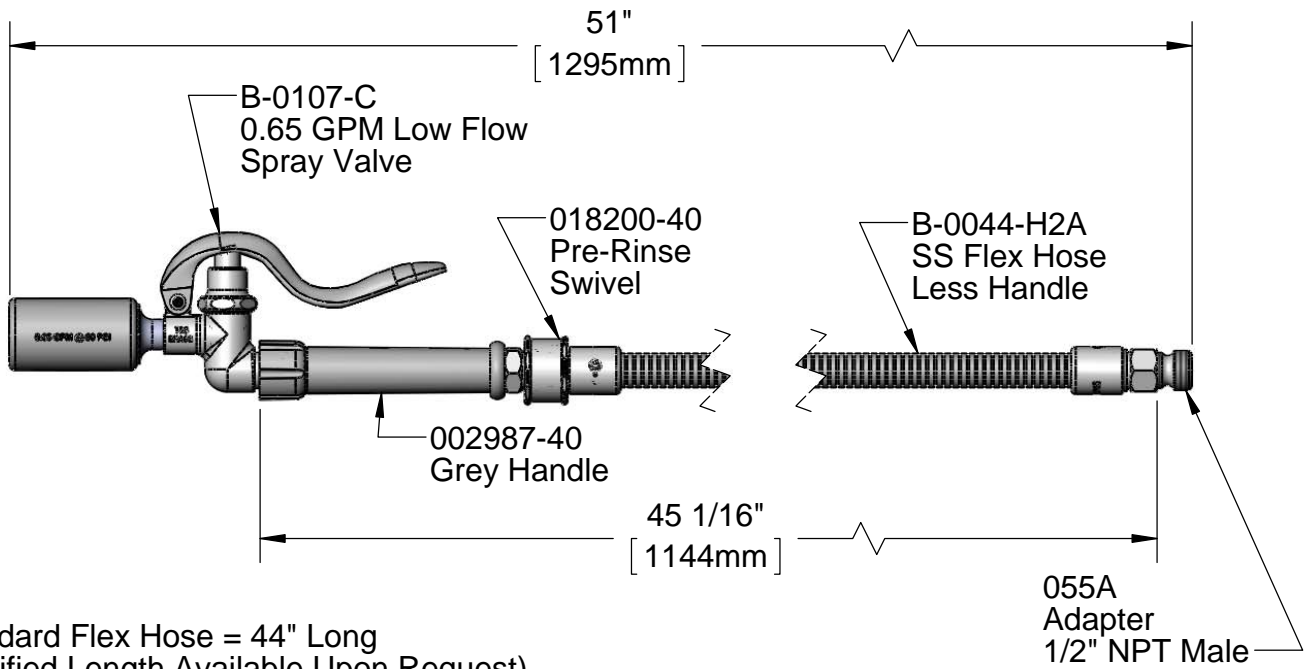
Contractor _____

Architect/Engineer _____

EPAct2005 COMPLIANT



Hold Down Ring w/
Hose Washer



Product Specifications:
Pre-Rinse Unit Accessory
B-0107-C Spray Valve w/ B-0044-H Flex Hose & Swivel

Drawn JRM	Checked DHL	Approved JHB
Scale: 1:4		Date: 02/13/12



T&S BRASS AND BRONZE WORKS, INC.

2 Saddleback Cove / P.O. Box 1088
Travelers Rest, SC 29690

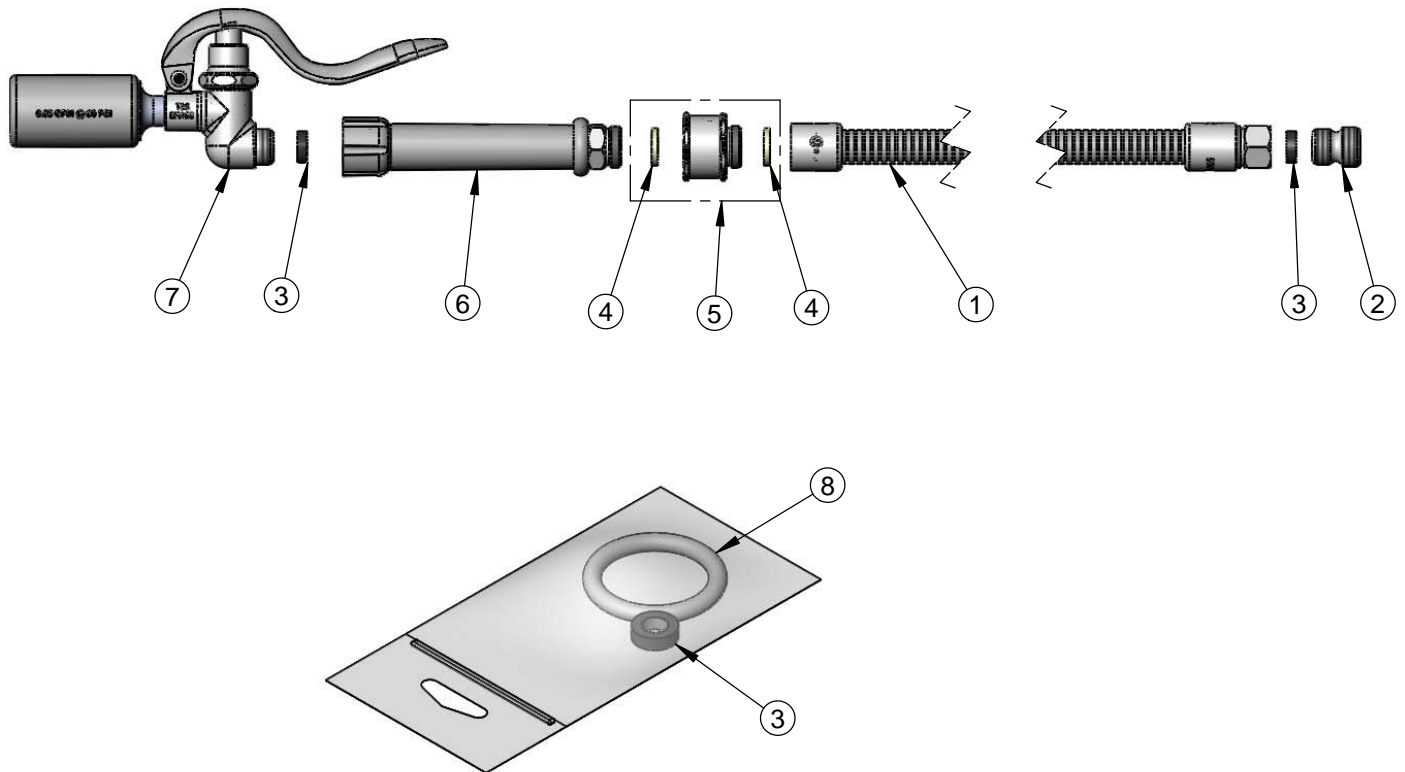
Model No.

B-0100-C-SWV

Item No.

Travelers Rest, SC: 800-476-4103 • Simi Valley, CA: 800-423-0150 • Fax: 864-834-3518 • www.tsbrass.com

ITEM NO.	SALES NO.	DESCRIPTION
1	B-0044-H2A	44" Flex Hose
2	055A	Adapter
3	010476-45	#27 Washer
4	001014-45	Washer, B-0100 Hose Barrel
5	018200-40	Pre-Rinse Swivel
6	002987-40	Grey Handle Assembly
7	B-0107-C	Spray Valve Assembly w/ Hold Down Ring & Washer
8	000907-45	Spray Valve Hold Down Ring



Product Specifications:
Pre-Rinse Unit Accessory
B-0107-C Spray Valve w/ B-0044-H Flex Hose & Swivel

Drawn
JRM

Checked
DHL

Approved
JHB

Scale:
NTS

Date:
02/13/12