



T&S BRASS AND BRONZE WORKS, INC.
 2 Saddleback Cove / P.O. Box 1088
 Travelers Rest, SC 29690

Model No.
B-0044-H2A-SWV

Item No.

Travelers Rest, SC: 800-476-4103 • Simi Valley, CA: 800-423-0150 • Fax: 864-834-3518 • www.tsbrass.com

This Space for Architect/Engineer Approval

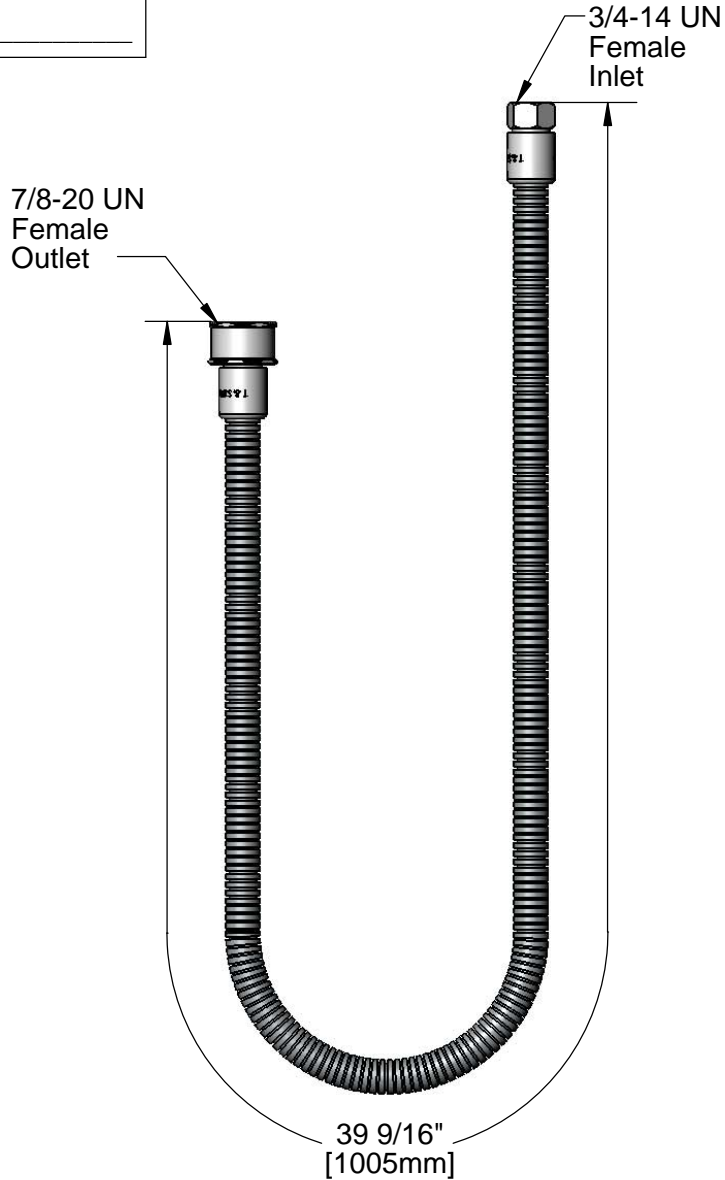
Job Name _____ Date _____

Model Specified _____ Quantity _____

Customer/Wholesaler _____

Contractor _____

Architect/Engineer _____




 010476-45
 Washer
 (Included)


 001014-45
 Washer
 (Included)

Product Specifications:
 44" Flexible Stainless Steel Hose w/ Inner Polyurethane Hose,
 Pre-Rinse Swivel & Less Handle

Drawn JRM	Checked DMH	Approved JHB
Scale: 1:4		Date: 12/17/13



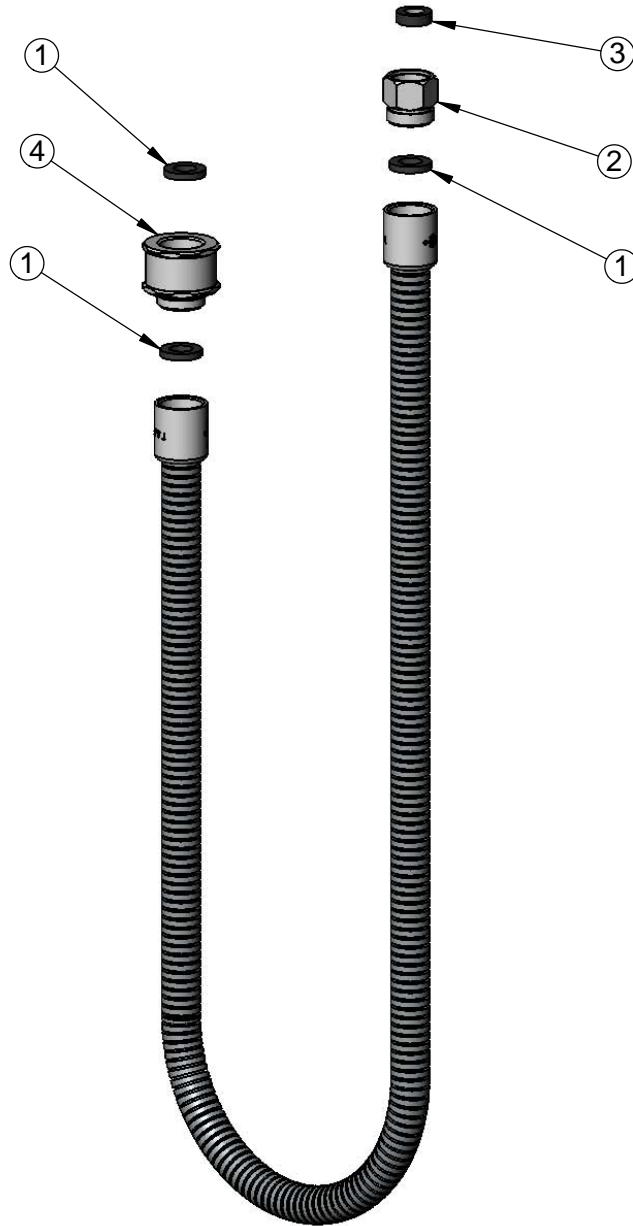
T&S BRASS AND BRONZE WORKS, INC.
 2 Saddleback Cove / P.O. Box 1088
 Travelers Rest, SC 29690

Model No.
B-0044-H2A-SWV

Item No.

Travelers Rest, SC: 800-476-4103 • Simi Valley, CA: 800-423-0150 • Fax: 864-834-3518 • www.tsbrass.com

ITEM NO.	SALES NO.	DESCRIPTION
1	001014-45	Washer, B-0100 Hose Barrel
2	000729-40	Nut, 7/8"-20 Male x 3/4"-14 Female
3	010476-45	#27 Washer
4	018200-45	Pre-Rinse Swivel



Product Specifications:
 44" Flexible Stainless Steel Hose w/ Inner Polyurethane Hose,
 Pre-Rinse Swivel & Less Handle

Drawn JRM	Checked DMH	Approved JHB
Scale: NTS		Date: 12/17/13