



T&S BRASS AND BRONZE WORKS, INC.
 2 Saddleback Cove / P.O. Box 1088
 Travelers Rest, SC 29690

Model No.
001301-45

Item No.

Travelers Rest, SC: 800-476-4103 • Simi Valley, CA: 800-423-0150 • Fax: 864-834-3518 • www.tsbrass.com

This Space for Architect/Engineer Approval

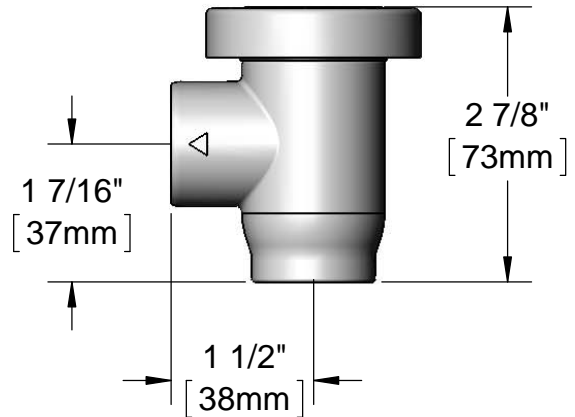
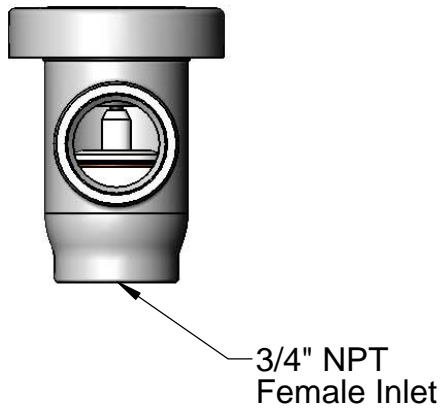
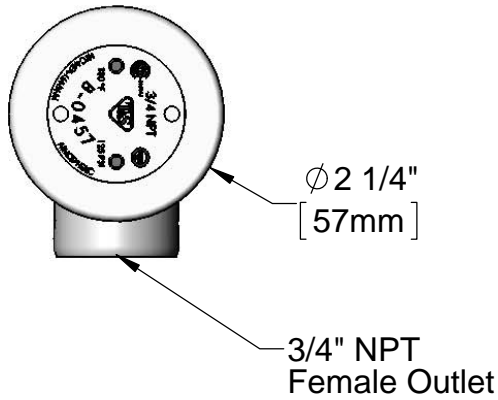
Job Name _____ Date _____

Model Specified _____ Quantity _____

Customer/Wholesaler _____

Contractor _____

Architect/Engineer _____



- Note:
1. Meets Requirements of ASSE 1001
 2. Finish: Polished Chrome

Product Specifications:
 Atmospheric Vacuum Breaker w/ 3/4" NPT Female Inlet & Outlet

Drawn KJG	Checked DMH	Approved JHB
Scale: 1:2		Date: 10/29/13