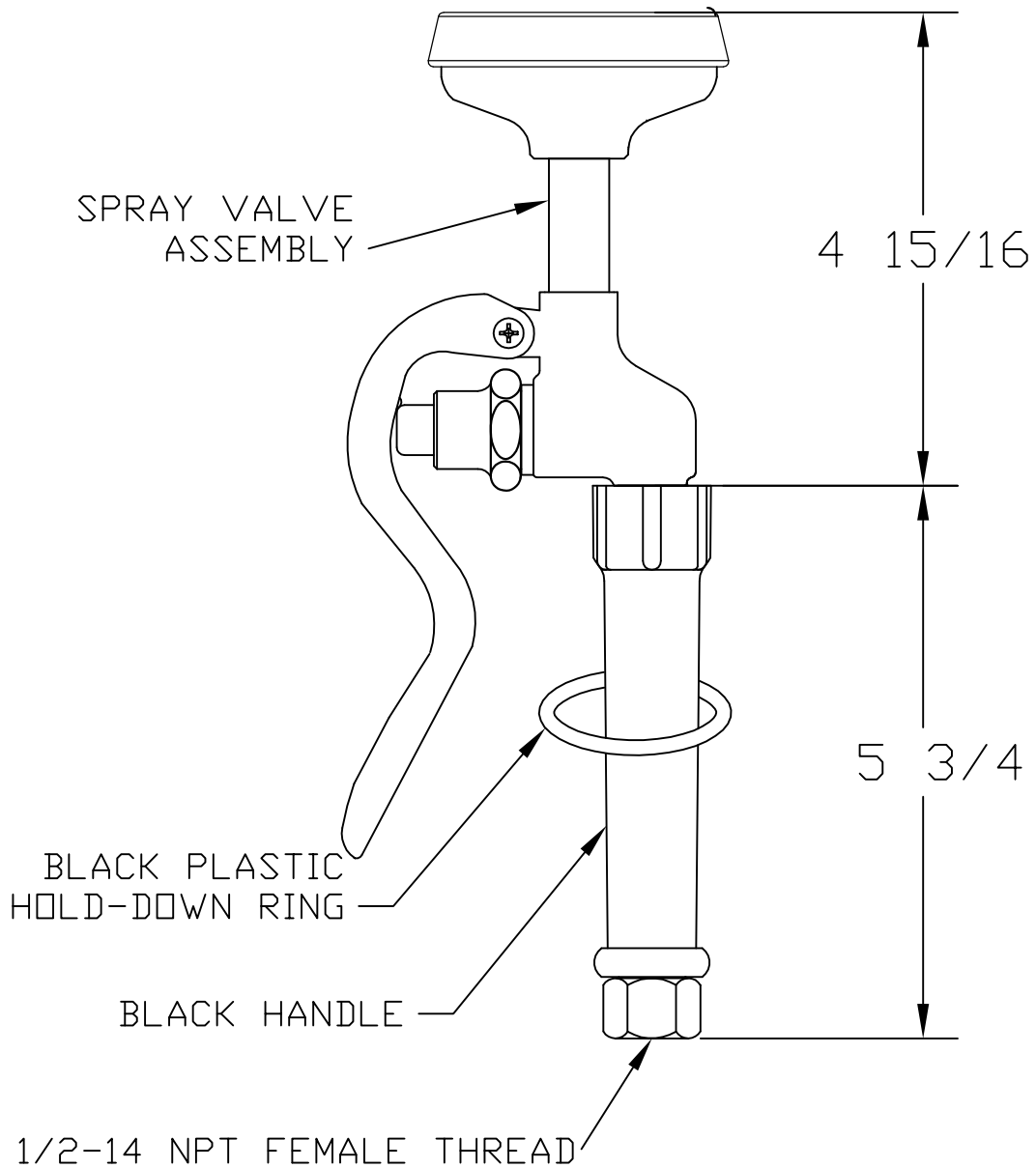


INCHES

1

2

3



FLOW RATE APPROX 4-6 GPM

MODEL NUMBER

5SV-WH

DATE

6/12/06

SCALE

1:1

DRAWING SIZE

A

DRAWN

JRM

CHECKED

WJS

APPROVED

JHB



DESCRIPTION

SPRAY VALVE ASSEMBLY FOR HOSEREELS

equip Foodservice Accessories



REG. #A2601
ISO #9001

P.O. BOX 1088, 2 SADDLEBACK COVE
TRAVELERS REST, SOUTH CAROLINA 29690
PHONE: 800.891.4808 FAX: 800.868.0084