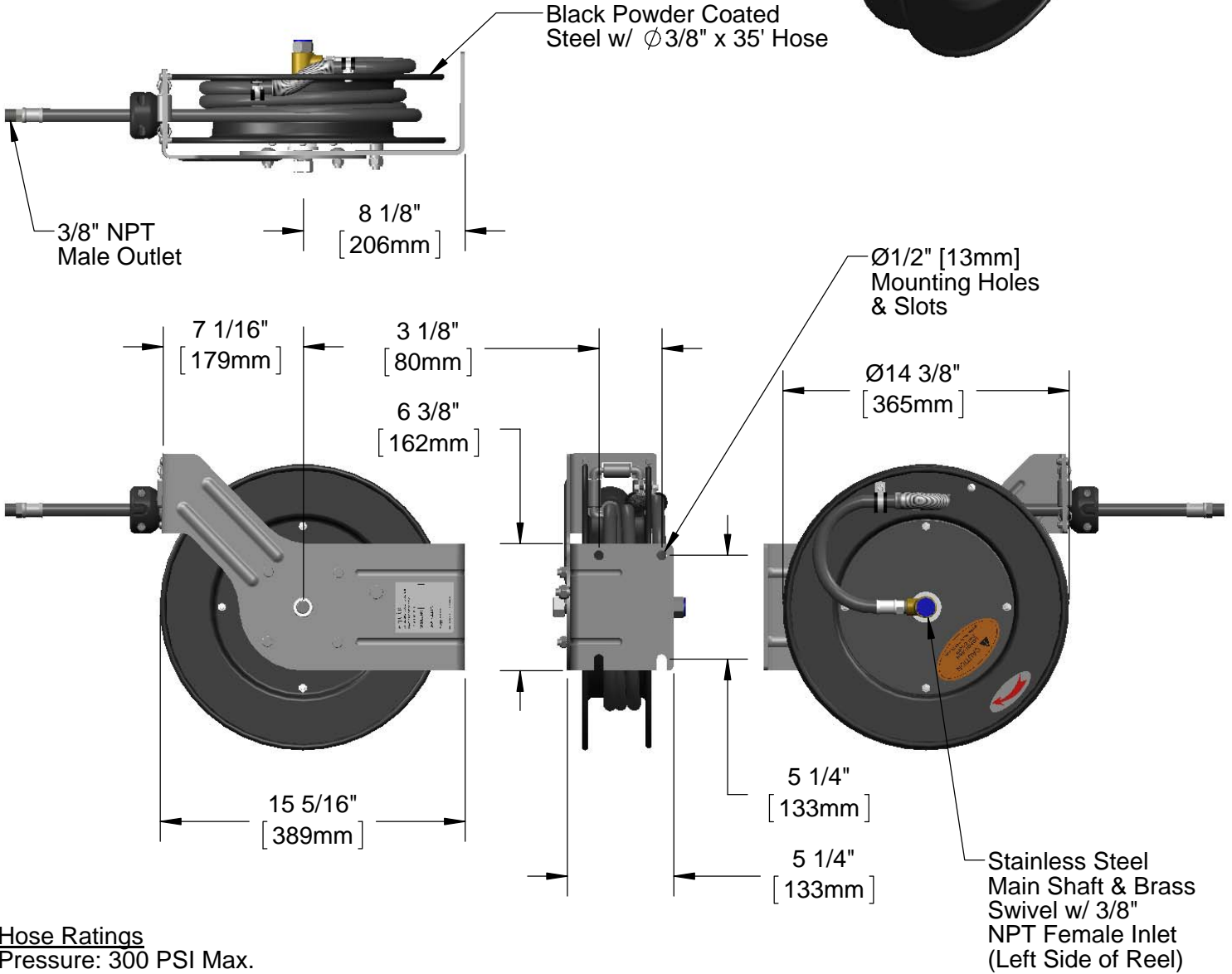
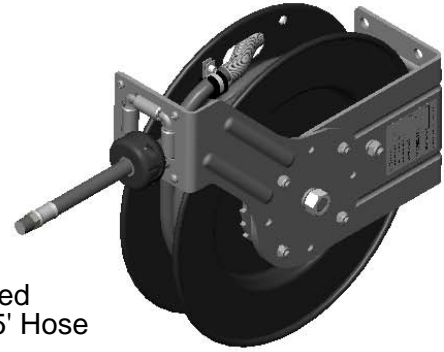


This Space for Architect/Engineer Approval

Job Name _____ Date _____
 Model Specified _____ Quantity _____
 Customer/Wholesaler _____
 Contractor _____
 Architect/Engineer _____



Hose Ratings
 Pressure: 300 PSI Max.
 Temperature: 0° - 176°F

Model Number <h2 style="text-align: center;">5HR-232</h2>	Product Specifications: <h3 style="text-align: center;">Black Powder Coated Steel, Open Hose Reel w/ 3/8" x 35' Hose, Less Spray Valve</h3>
--------------------------------------------------------------	---------------------------------------------------------------------------------------------------------------------------------------------------------------------

Product Compliance: NSF 61 Exempt (Non-Potable)

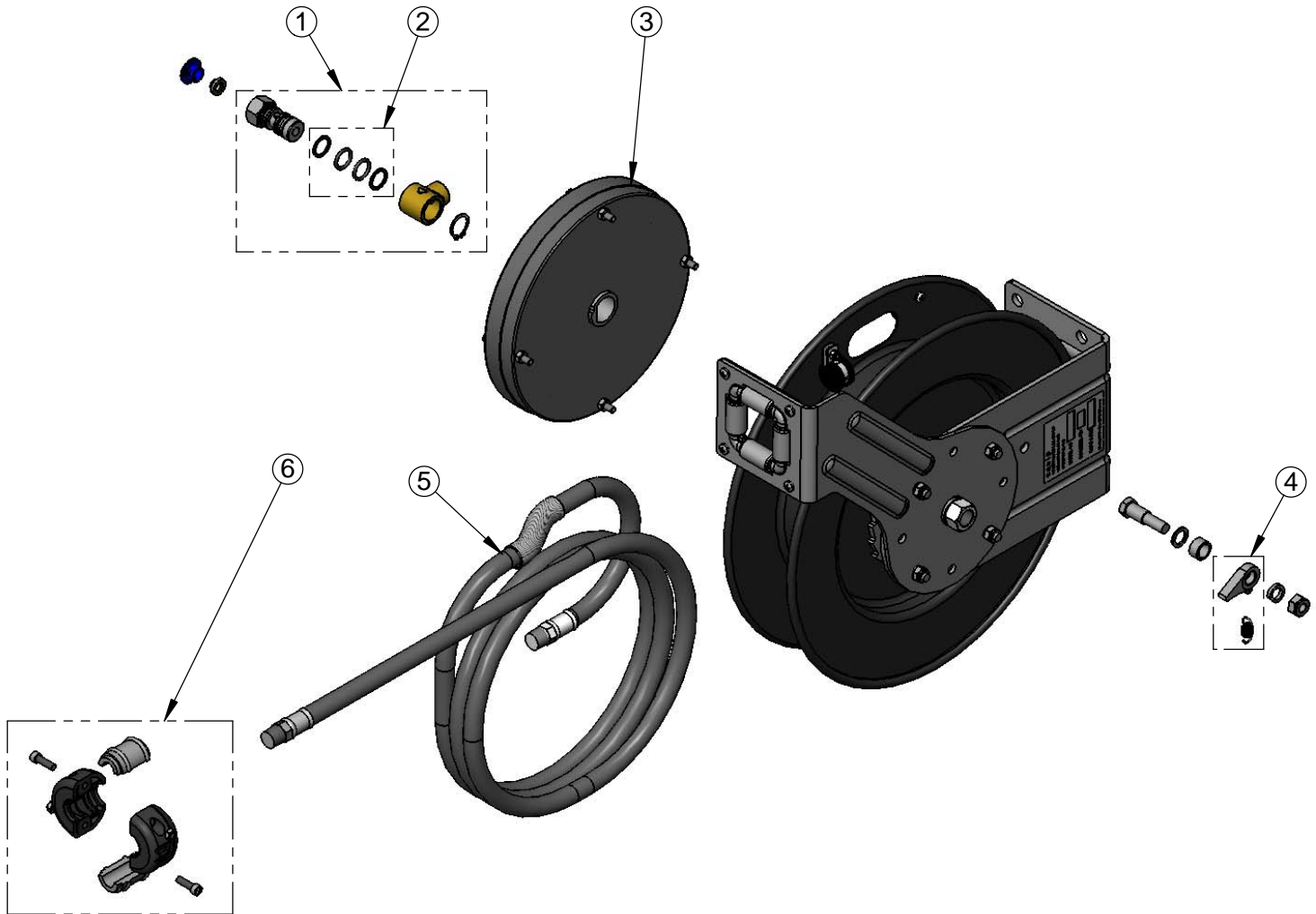
equip
Foodservice
Accessories



by 

2 Saddleback Cove, P.O. Box 1088
 Travelers Rest, South Carolina 29690
 Phone: 800.891.4808 Fax: 800.868.0084
 equip.tsbrass.com

ITEM NO.	SALES NO.	DESCRIPTION
1	5HR-2SA	Complete 3/8" Swivel Assembly
2	014948-45	Seal Kit
3	G016682-45	Spring Assembly
4	014940-45	Ratchet Repair Kit
5	5HR-2HSE-35	∅ 3/8" x 35' Hose
6	019246-45	Hose Stop Repair Kit



Model Number

5HR-232

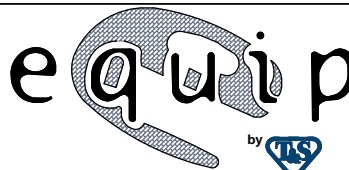
Product Specifications:

**Black Powder Coated Steel, Open Hose Reel
w/ 3/8" x 35' Hose, Less Spray Valve**

Product Compliance:

NSF 61 Exempt (Non-Potable)

equip
Foodservice
Accessories



2 Saddleback Cove, P.O. Box 1088
Travelers Rest, South Carolina 29690
Phone: 800.891.4808 Fax: 800.868.0084
equip.tsbrass.com