

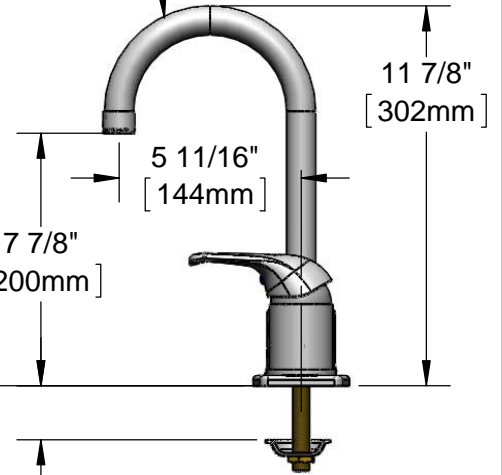
ADA Compliant

This Space for Architect/Engineer Approval

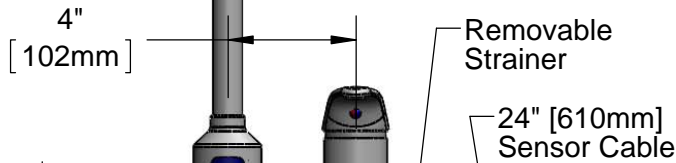
Job Name _____ Date _____
 Model Specified _____ Quantity _____
 Customer/Wholesaler _____
 Contractor _____
 Architect/Engineer _____

Side Mount Control Regulates Water Temperature and ON/OFF Setting.
 Note: To Ensure Proper Operation of Sensor Faucet, Side Mount Control Should Remain in the OPEN Position at all Times

Rigid Gooseneck w/ 2.2 GPM Vandal Resistant Aerator



3 5/8" x 4 3/16" x 2" Deep
 [92mm x 106mm x 51mm]
 Water Resistant Control Module Box (White)
 AC or DC Operated w/ (4) AA Batteries



Mounting Surface

1 11/16" [43mm] Maximum Thickness

5/16" [8mm]
 Chrome Plated Forged Brass Deck Plate

1/2" NPSM x 1/4" NPSM
 18" [457mm] Long Flexible
 Stainless Steel Hose

Connect Tempered Water Hose to Inlet of Control Module Using 1/2" Close Nipple

(2) Check Valves for Crossflow Prevention

(2) 3/8" Compression x 1/2" NPSM
 18" [457mm] Flexible Stainless Steel Supply Hose

Rough-In Requirement:
 Ø 1" [25mm] Center Mounting Hole
 Ø 1 1/2" [38mm] Side Mounting Hole

100-240 VAC Adapter w/ 144" [3658mm] Long Double Power Cord. (Remove Rubber Plugs on Module and Cable to Connect)

Box May Contain (2) Extra Hoses That Are Not Needed & May be Discarded After Final Installation



| | | | | | |
|------------------------------------|-------------------------|---------------------|---------------------|-----------------------|------------------------|
| Model Number 5EF-1D-DGSM | Date 08/29/12 | Scale 1:6 | Drawn KJG | Checked GEF | Approved JHB |
|------------------------------------|-------------------------|---------------------|---------------------|-----------------------|------------------------|

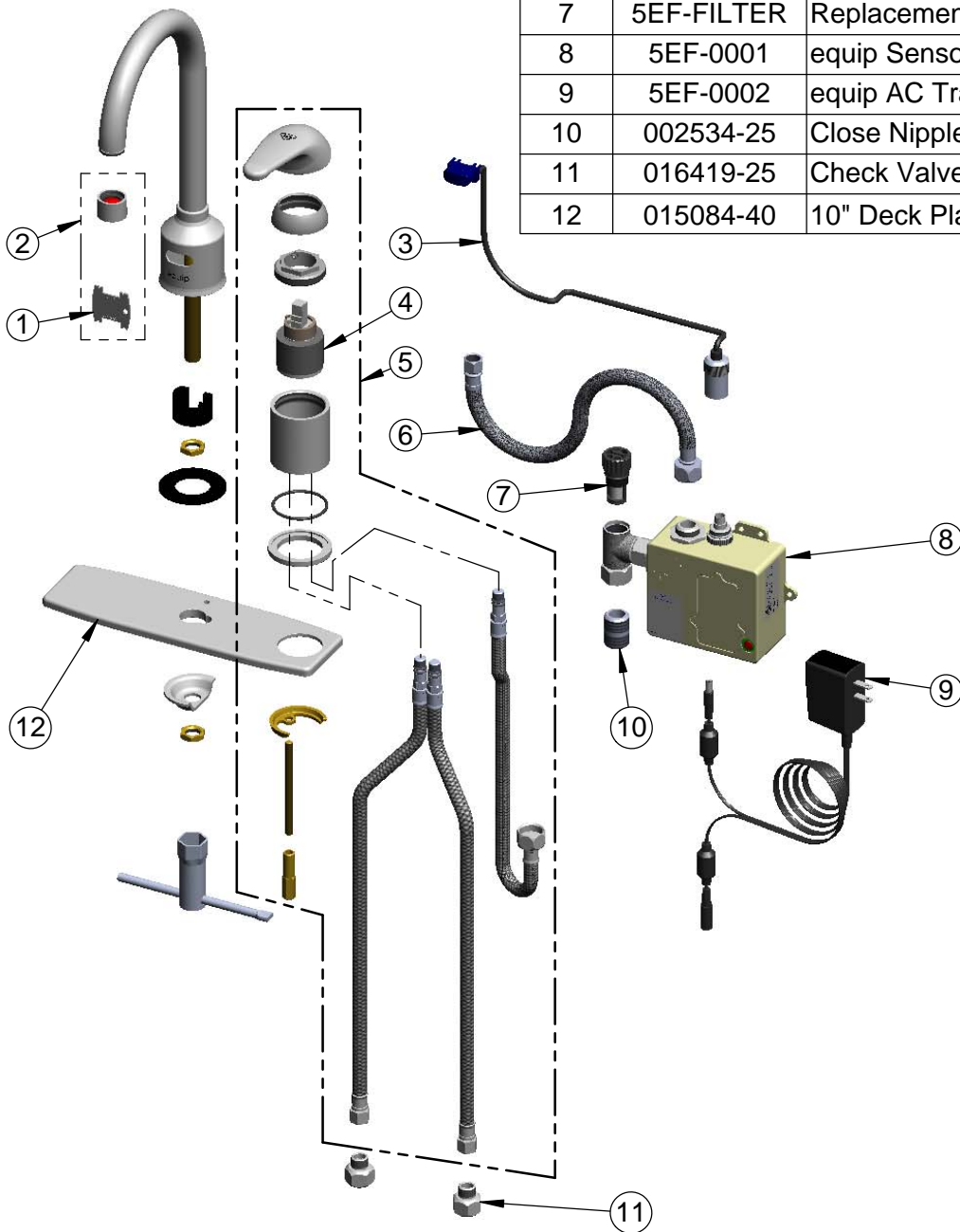


Product Specifications:

Electronic Faucet: Deck Mount Rigid Gooseneck w/ 2.2 GPM VR Aerator, Side Mount Temperature Control, Deck Plate, AC-DC Control Module, 18" Long Flexible Supply Hoses, & Check Valves

equip Foodservice Accessories
 2 Saddleback Cove, P.O. Box 1088
 Travelers Rest, South Carolina 29690
 Phone: 800.891.4808 Fax: 800.868.0084

| ITEM NO. | SALES NO. | DESCRIPTION |
|----------|------------|---|
| 1 | 015425-25 | Vandal Resistant Key |
| 2 | B-0199-06 | VR Aerator w/ Key |
| 3 | 5EF-0004 | 24" Sensor Cable |
| 4 | 013080-45 | Ceramic Cartridge, B-2730 & B-2731 |
| 5 | B-2740 | Side Mount Control w/ Hoses & Ceramic Crtg |
| 6 | 016297-45 | Inlet Hose, Faucet, 1/2" NPSM-F x 1/4" NPSM-F |
| 7 | 5EF-FILTER | Replacement Filter |
| 8 | 5EF-0001 | equip Sensor Faucet - Control Module |
| 9 | 5EF-0002 | equip AC Transformer, 100-240 VAC |
| 10 | 002534-25 | Close Nipple, 1/2" x 1 5/32" Lg Rough Chrome |
| 11 | 016419-25 | Check Valve, 3/8" Comp-F x 3/8" Comp-M |
| 12 | 015084-40 | 10" Deck Plate w/ Side Mount Hole |



| | | | | | |
|-----------------------------|------------------|--------------|--------------|----------------|-----------------|
| Model Number 5EF-1D-DGSM | Date 08/29/12 | Scale NTS | Drawn KJG | Checked GEF | Approved JHB |
|-----------------------------|------------------|--------------|--------------|----------------|-----------------|



Product Specifications:

Electronic Faucet: Deck Mount Rigid Gooseneck w/ 2.2 GPM VR Aerator, Side Mount Temperature Control, Deck Plate, AC-DC Control Module, 18" Long Flexible Supply Hoses, & Check Valves

equip Foodservice Accessories
 2 Saddleback Cove, P.O. Box 1088
 Travelers Rest, South Carolina 29690
 Phone: 800.891.4808 Fax: 800.868.0084