



# T&S BRASS AND BRONZE WORKS, INC.

2 Saddleback Cove / P.O. Box 1088  
Travelers Rest, SC 29690



REG. #A2601  
ISO #9001

Model No.

**OCS6**

Item No.

Travelers Rest, SC: 800-476-4103 Simi Valley, CA: 800-423-0150 Fax: 864-834-3518 www.tsbrass.com

This Space for Architect/Engineer Approval

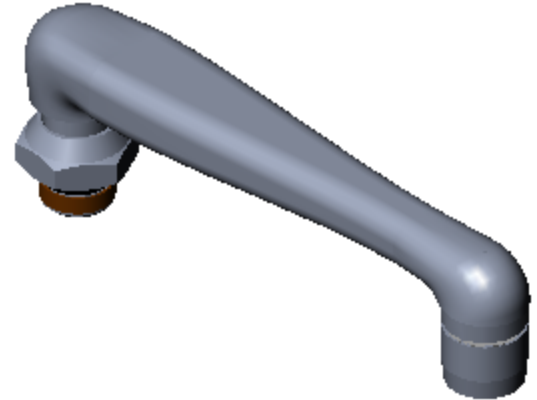
Job Name \_\_\_\_\_ Date \_\_\_\_\_

Model Specified \_\_\_\_\_ Quantity \_\_\_\_\_

Customer/Wholesaler \_\_\_\_\_

Contractor \_\_\_\_\_

Architect/Engineer \_\_\_\_\_



Variations or Applicable Options:  
B-0199-21 Laminar Flow Outlet  
B-0199-06 Vandal Resistant Aerator

Ø 1 1/8"  
[28mm]

Ø 15/16"  
[23mm]



2.2 GPM Aerator

2 5/16"  
[59mm]

3/4"  
[19mm]



Fits Standard T&S Swivel  
Outlet Bodies such as  
B-0230-LN

6"  
[152mm]

Product Specifications:  
6" Swivel Cast Spout, 2.2 GPM Aerator

Drawn  
WJS

Checked  
JRM

Approved  
JHB

Scale:

1:2

Date:

12/04/06



# T&S BRASS AND BRONZE WORKS, INC.

2 Saddleback Cove / P.O. Box 1088  
Travelers Rest, SC 29690



REG. #A2601  
ISO #9001

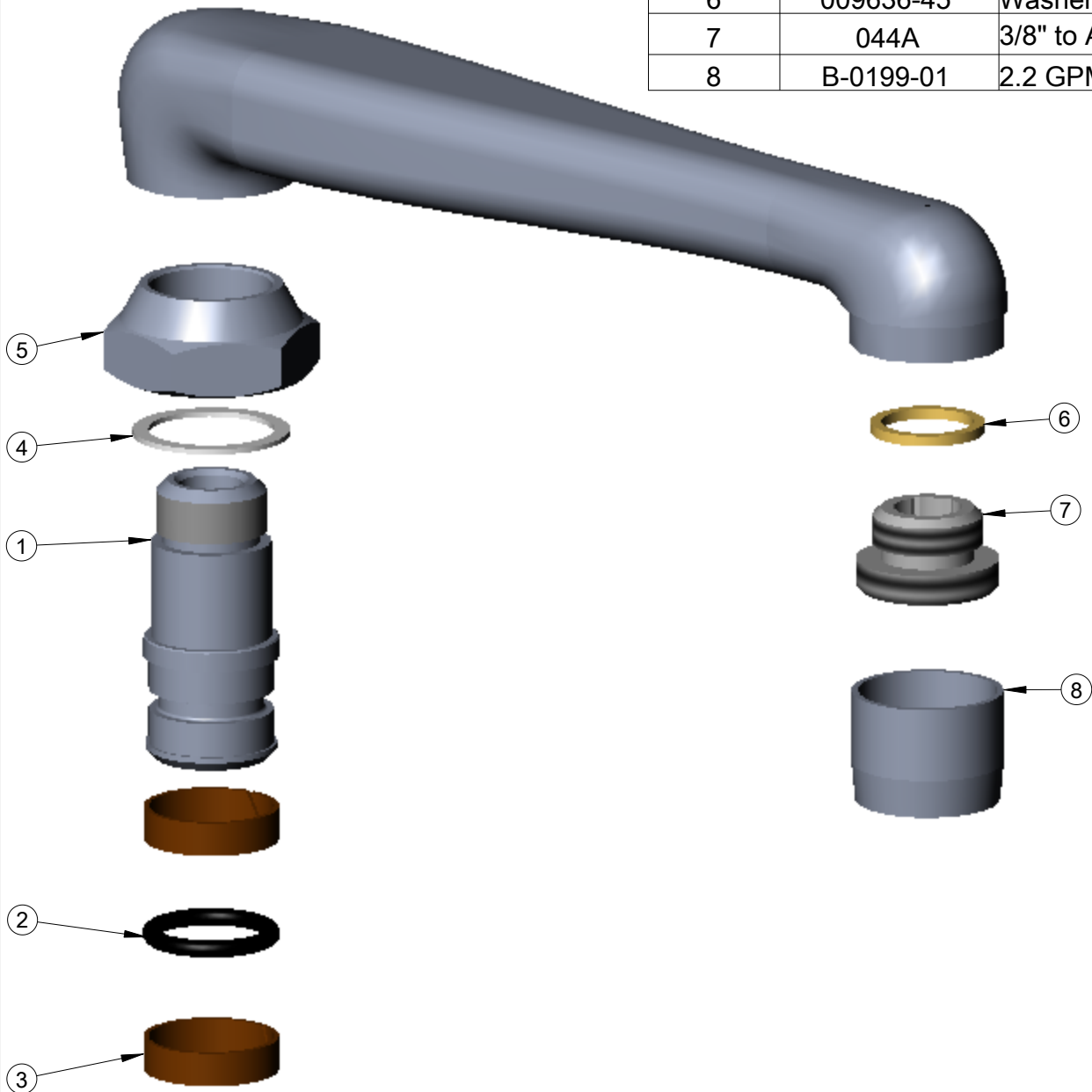
Model No.

**OCS6**

Item No.

Travelers Rest, SC: 800-476-4103    Simi Valley, CA: 800-423-0150    Fax: 864-834-3518    www.tsbrass.com

ITEM	PART NO.	DESCRIPTION
1	000843-25	Swivel Body
2	001074-45	O-Ring
3	011429-45	Swivel Sleeve
4	009647-45	Hex Cap Washer
5	000711-25	Swivel Nut
6	009636-45	Washer
7	044A	3/8" to Aer. Adapter
8	B-0199-01	2.2 GPM Aerator



Product Specifications:

**6" Swivel Cast Spout, 2.2 GPM Aerator**

Drawn  
WJS

Checked  
JRM

Approved  
JHB

Scale:

1:1

Date:

12/04/06



# T&S BRASS AND BRONZE WORKS, INC.

2 Saddleback Cove / P.O. Box 1088  
Travelers Rest, SC 29690



REG. #A2601  
ISO #9001

Model No.

**OCS6-LT**

Item No.

Travelers Rest, SC: 800-476-4103 • Simi Valley, CA: 800-423-0150 • Fax: 864-834-3518 • www.tsbrass.com

This Space for Architect/Engineer Approval

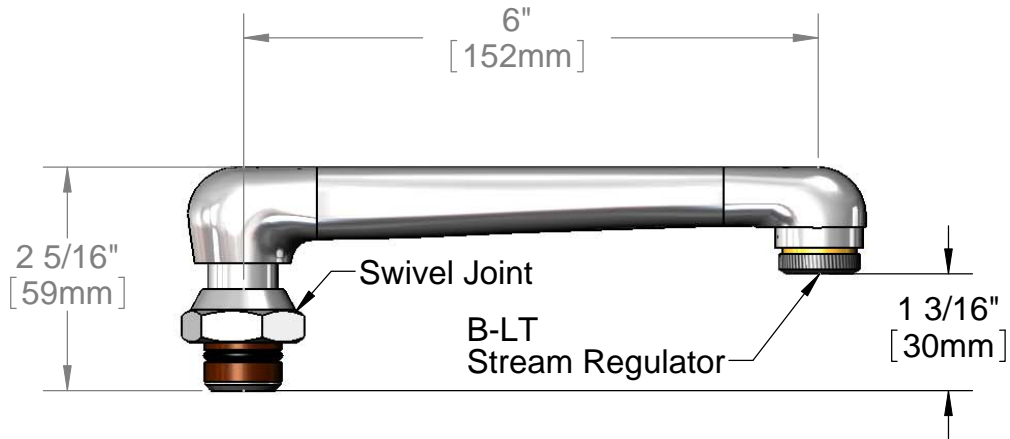
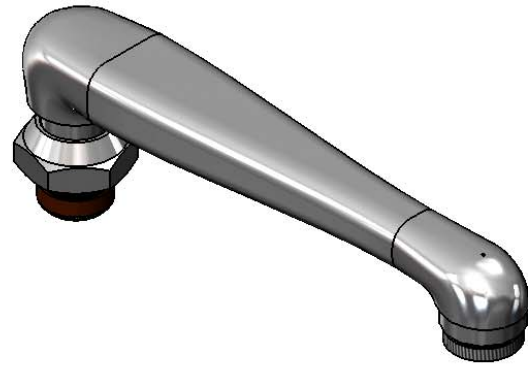
Job Name \_\_\_\_\_ Date \_\_\_\_\_

Model Specified \_\_\_\_\_ Quantity \_\_\_\_\_

Customer/Wholesaler \_\_\_\_\_

Contractor \_\_\_\_\_

Architect/Engineer \_\_\_\_\_



Product Specifications:  
6" Swivel Cast Spout w/ B-LT Stream Regulator

Drawn

DHL

Checked

JRM

Approved

JHB

Scale:

1:2

Date:

01/17/11