



T&S BRASS AND BRONZE WORKS, INC.

2 Saddleback Cove / P.O. Box 1088
Travelers Rest, SC 29690



REG. #A2601
ISO #9001

Model No.
010253-40

Item No.

Travelers Rest, SC: 800-476-4103 Simi Valley, CA: 800-423-0150 Fax: 864-834-3518 www.tsbrass.com

This Space for Architect/Engineer Approval

Job Name _____ Date _____

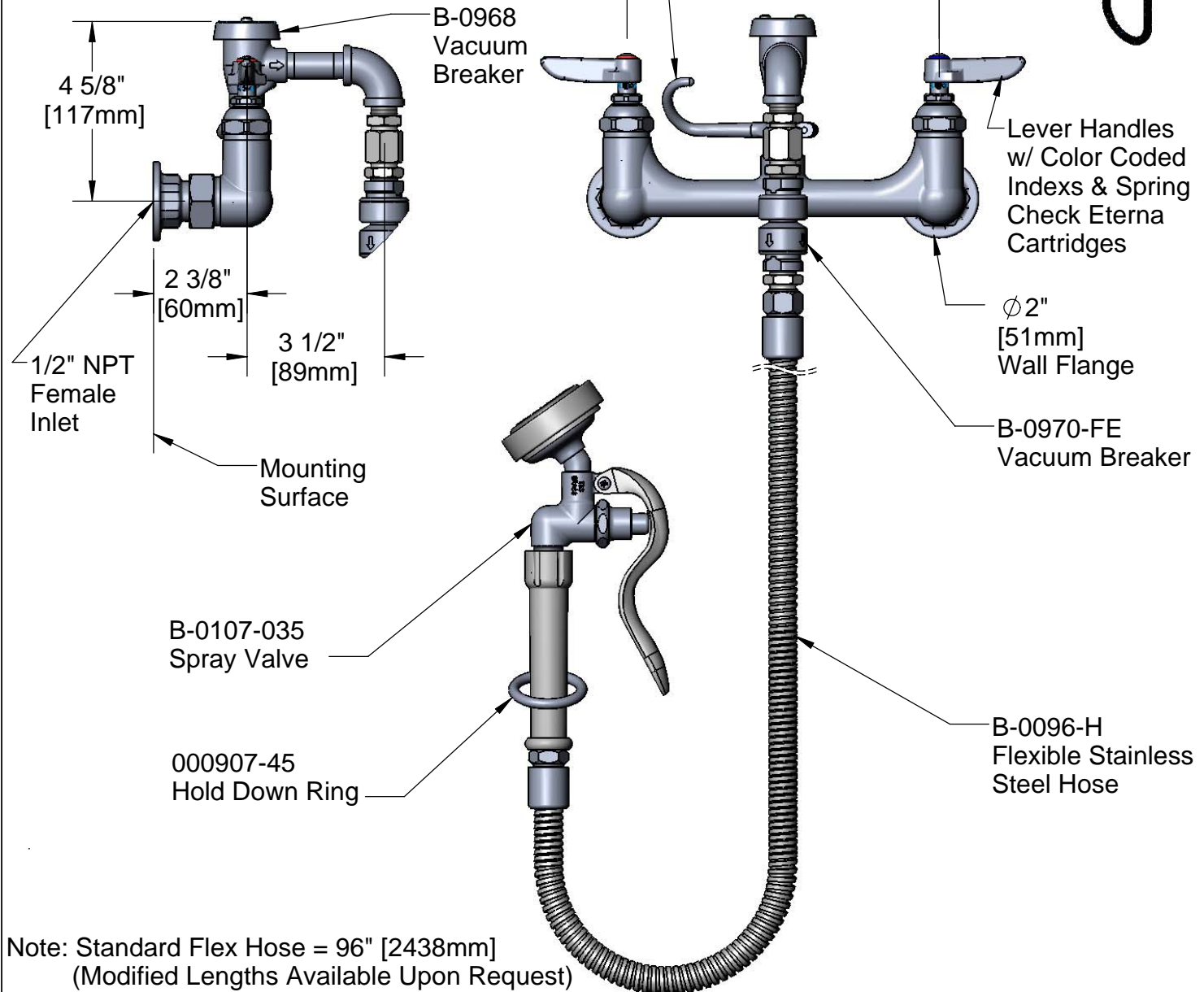
Model Specified _____ Quantity _____

Customer/Wholesaler _____

Contractor _____

Architect/Engineer _____

EPAct2005 COMPLIANT



Note: Standard Flex Hose = 96" [2438mm]
(Modified Lengths Available Upon Request)

Product Specifications: Spray Valve Assembly w/ B-0096-H Flex Hose, Wall Mount Faucet, Vacuum Breakers, Lever Handles & Spray Valve	Drawn KJG	Checked JRM	Approved JHB
	Scale: 1:4		Date: 10/13/08



T&S BRASS AND BRONZE WORKS, INC.

2 Saddleback Cove / P.O. Box 1088
Travelers Rest, SC 29690



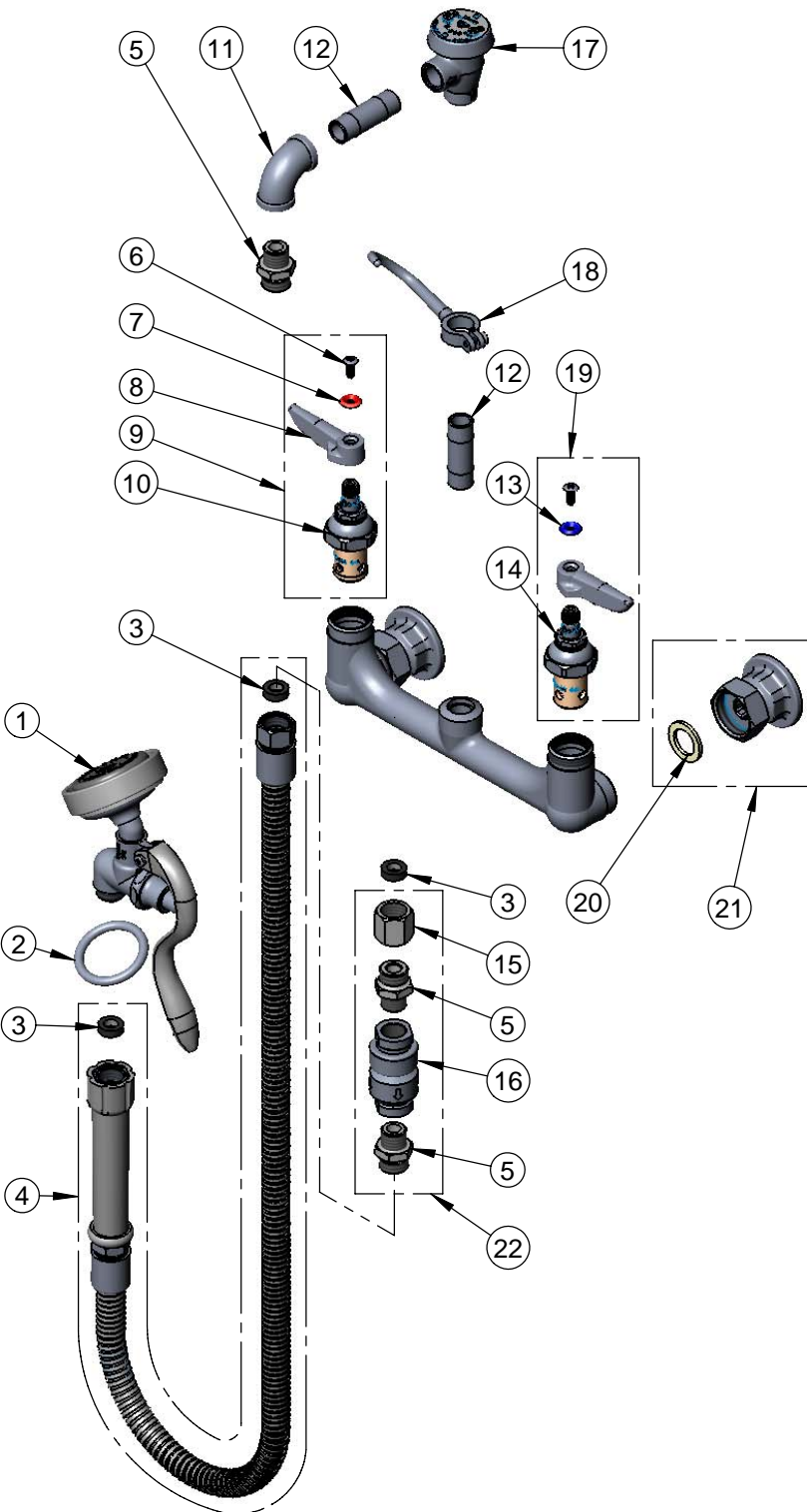
REG. #A2601
ISO #9001

Model No.

010253-40

Item No.

Travelers Rest, SC: 800-476-4103 Simi Valley, CA: 800-423-0150 Fax: 864-834-3518 www.tsbrass.com



ITEM NO.	SALES NO.	DESCRIPTION
1	B-0107-035	Spray Valve Assembly
2	000907-45	Spray Valve Hold Down Ring
3	010476-45	#27 Washer
4	B-0096-H	Flex. Stainless Steel Hose
5	000545-25	Adapter
6	000922-45	Lever Handle Screw
7	001661-45	Red Index-HW
8	001638-45	Lever Handle
9	002712-40	Hot Eterna Spindle Asm w/ Spring Check, Handle, Index & Screw
10	012443-40	Hot Eterna Spindle Assembly w/ Spring Check
11	001355-40	Elbow, 3/8 NPT
12	000357-40	Nipple, 3/8" x 2"
13	001660-45	Blue Index-CW
14	012442-40	Cold Eterna Spindle Assembly w/ Spring Check
15	146X	3/4-14 Coupling
16	B-0970-FE	B-0970 FE Vacuum Breaker
17	B-0968	Vacuum Breaker Asm, 3/8"
18	004R	Finger Hook Assembly
19	002711-40	Cold Eterna Spindle Asm w/ Spring Check, Handle, Index & Screw
20	001019-45	Coupling Nut Washer
21	00AA	Flange Assembly, 00AA
22	B-0970-01	Vacuum Breaker w/ Hose Coupling and Adapters

Product Specifications:

Spray Valve Assembly w/ B-0096-H Flex Hose, Wall Mount Faucet, Vacuum Breakers, Lever Handles & Spray Valve

Drawn KJG	Checked JRM	Approved JHB
Scale: NTS		Date: 10/13/08