



T&S BRASS AND BRONZE WORKS, INC.

2 Saddleback Cove / P.O. Box 1088
Travelers Rest, SC 29690



REG. #A2601
ISO #9001

Model No.

MV-3516-21

Item No.

Travelers Rest, SC: 800-476-4103 Simi Valley, CA: 800-423-0150 Fax: 864-834-3518 www.tsbrass.com

This Space for Architect/Engineer Approval

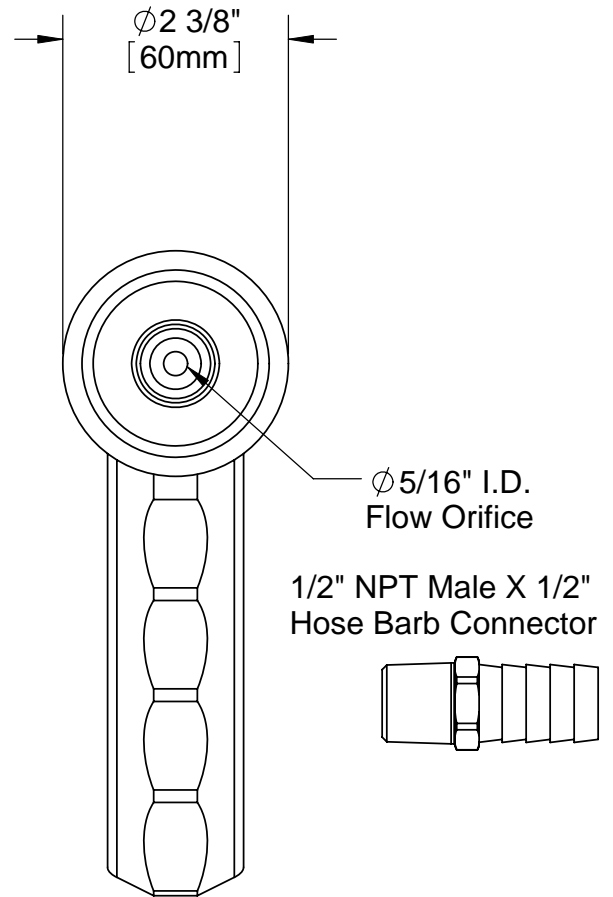
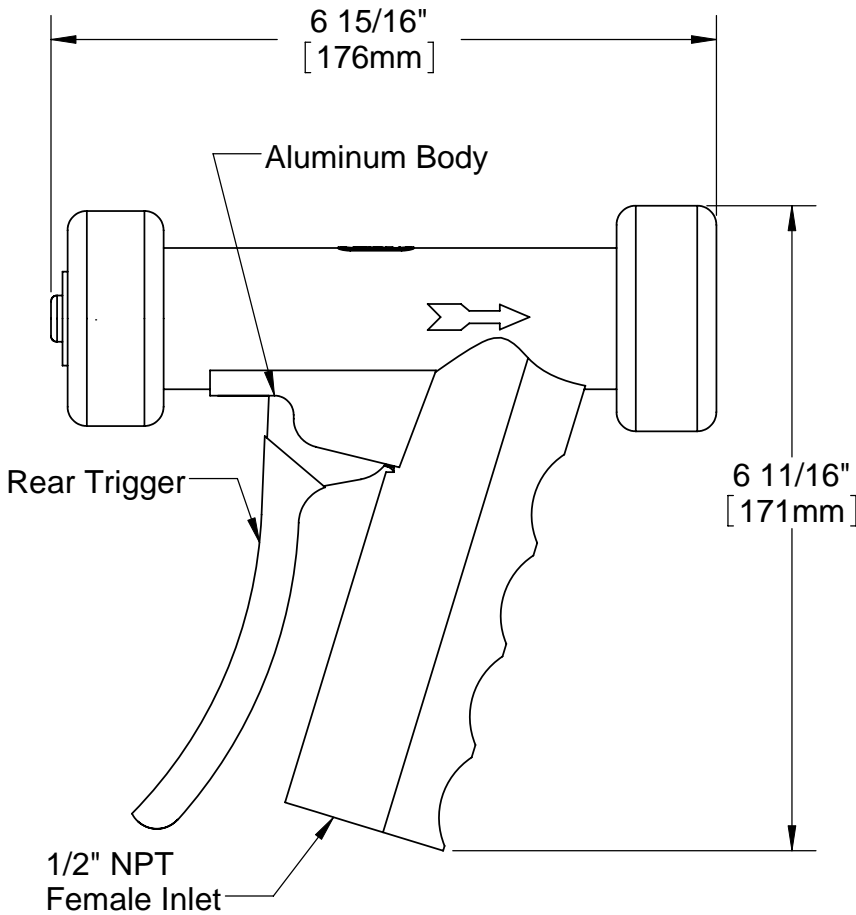
Job Name _____ Date _____

Model Specified _____ Quantity _____

Customer/Wholesaler _____

Contractor _____

Architect/Engineer _____



Product Specifications:

**Aluminum Water Gun, Rear Trigger,
5/16" Flow Orifice, Rubber Cover.
1/2" NPT X 1/2" Hose Barb Connector**

Drawn ARH	Checked JRM	Approved JHB
Scale: 1:2		Date: 06/19/08



T&S BRASS AND BRONZE WORKS, INC.

2 Saddleback Cove / P.O. Box 1088
Travelers Rest, SC 29690



REG. #A2601
ISO #9001

Model No.

MV-3516-22

Item No.

Travelers Rest, SC: 800-476-4103 Simi Valley, CA: 800-423-0150 Fax: 864-834-3518 www.tsbrass.com

This Space for Architect/Engineer Approval

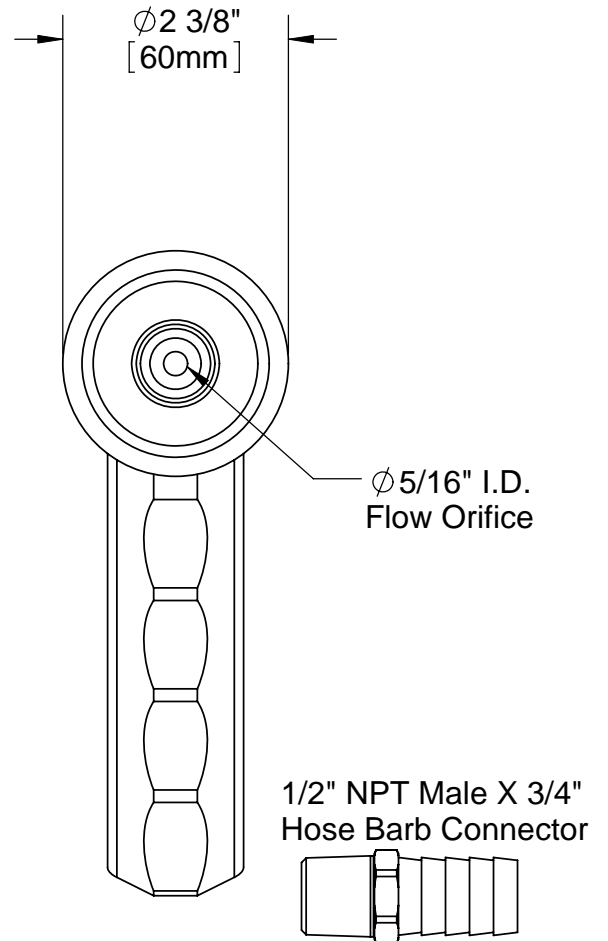
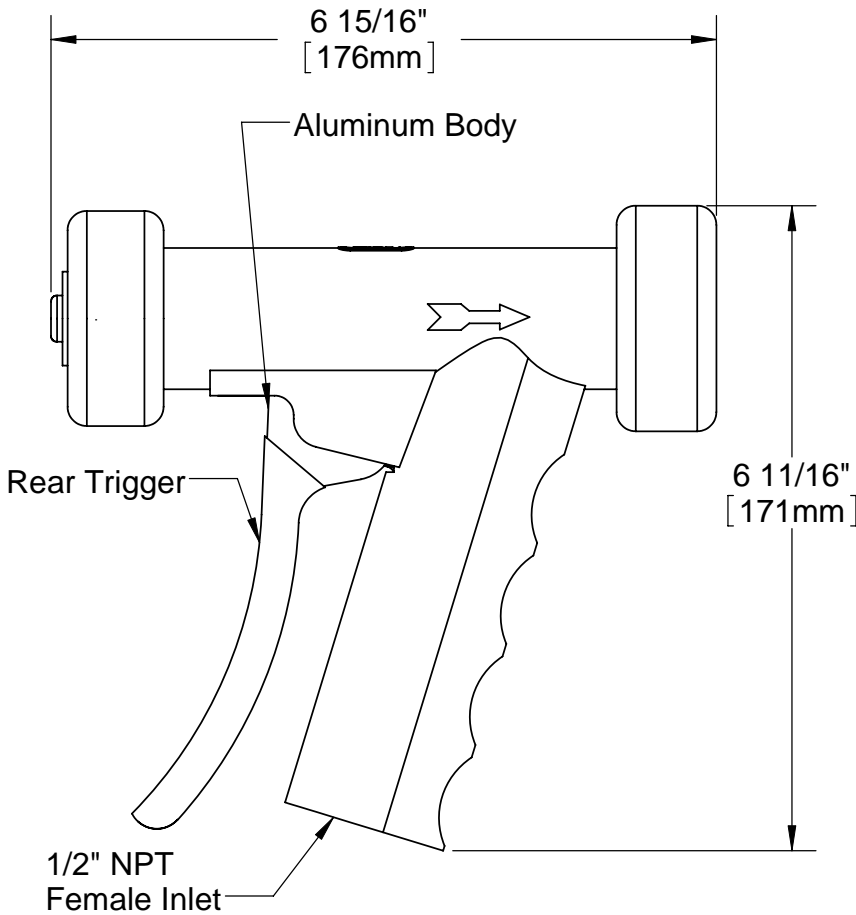
Job Name _____ Date _____

Model Specified _____ Quantity _____

Customer/Wholesaler _____

Contractor _____

Architect/Engineer _____



Product Specifications:

Aluminum Water Gun, Rear Trigger,
5/16" Flow Orifice, Rubber Cover,
1/2" NPT x 3/4" Hose Barb Connector

Drawn
ARH

Checked
JRM

Approved
JHB

Scale:

1:2

Date:

06/19/08



T&S BRASS AND BRONZE WORKS, INC.

2 Saddleback Cove / P.O. Box 1088
Travelers Rest, SC 29690



REG. #A2601
ISO #9001

Model No.

MV-3516-23

Item No.

Travelers Rest, SC: 800-476-4103 Simi Valley, CA: 800-423-0150 Fax: 864-834-3518 www.tsbrass.com

This Space for Architect/Engineer Approval

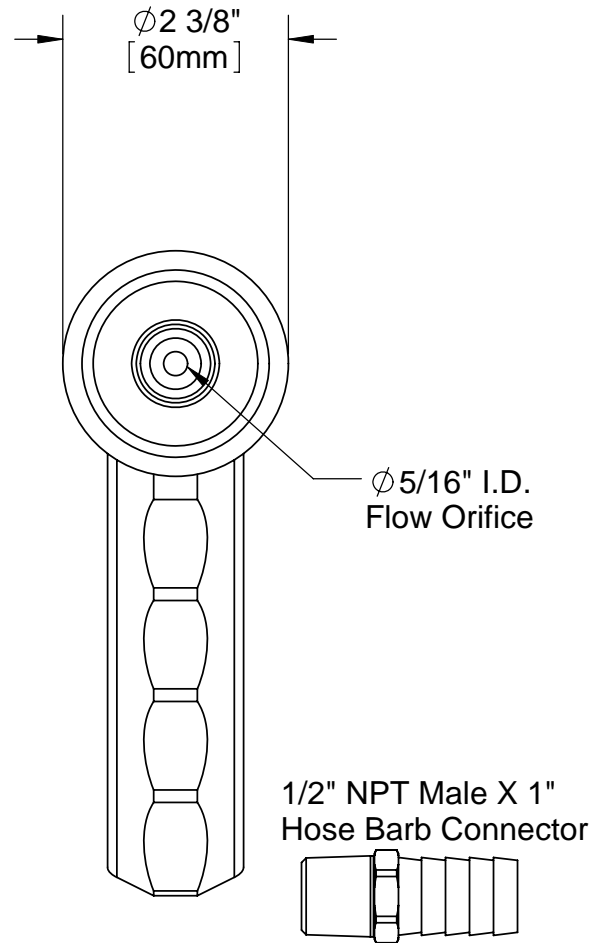
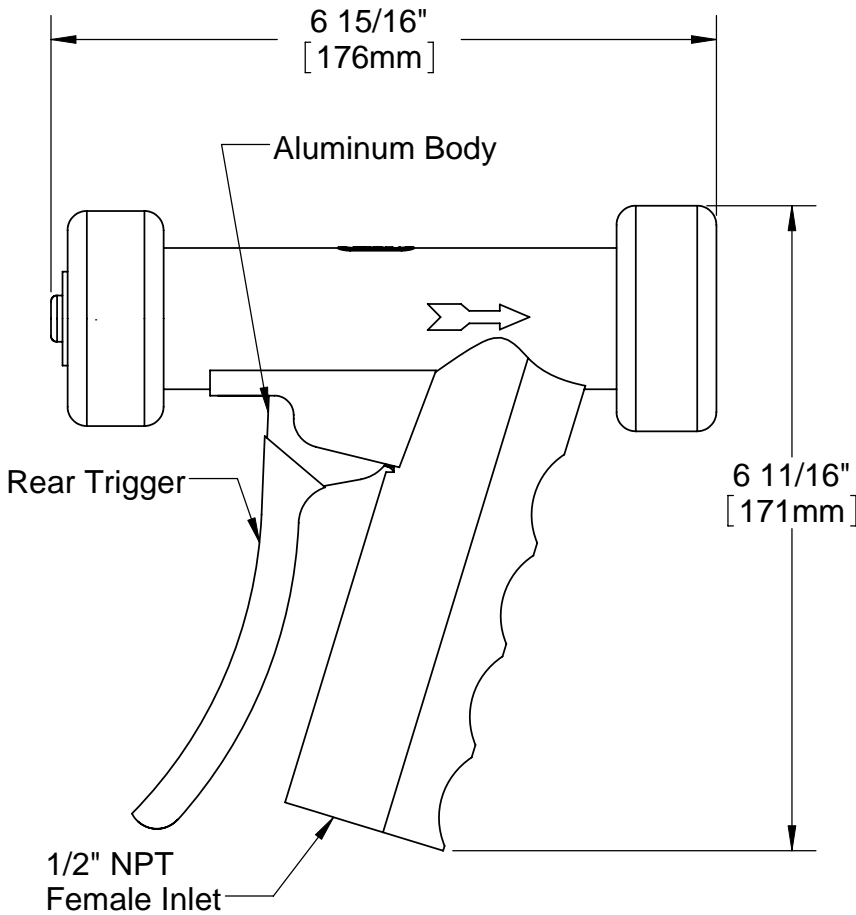
Job Name _____ Date _____

Model Specified _____ Quantity _____

Customer/Wholesaler _____

Contractor _____

Architect/Engineer _____



Product Specifications:

**Aluminum Water Gun, Rear Trigger,
5/16" Flow Orifice, Rubber Cover,
1/2" NPT x 1" Hose Barb Connector**

Drawn ARH	Checked JRM	Approved JHB
Scale: 1:2		Date: 06/19/08