



T&S BRASS AND BRONZE WORKS, INC.
 2 Saddleback Cove / P.O. Box 1088
 Travelers Rest, SC 29690

Model No.
HG-4-S Series

Item No.

Travelers Rest, SC: 800-476-4103 • Simi Valley, CA: 800-423-0150 • Fax: 864-834-3518 • www.tsbrass.com

This Space for Architect/Engineer Approval

Job Name _____ Date _____

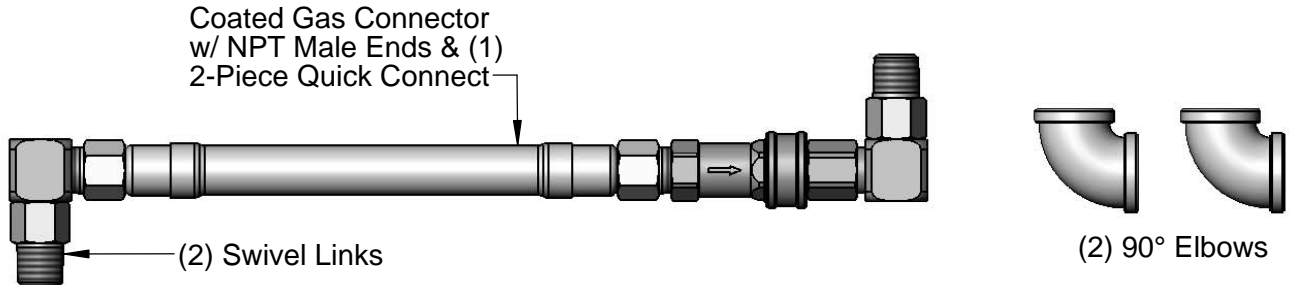
Model Specified _____ Quantity _____

Customer/Wholesaler _____

Contractor _____

Architect/Engineer _____

SAFE·T·LINK



"L" = Length	1/2" NPT
12"	HG-4C-12S
24"	HG-4C-24S
36"	HG-4C-36S
48"	HG-4C-48S
60"	HG-4C-60S
72"	HG-4C-72S

"L" = Length	3/4" NPT
12"	HG-4D-12S
24"	HG-4D-24S
36"	HG-4D-36S
48"	HG-4D-48S
60"	HG-4D-60S
72"	HG-4D-72S

"L" = Length	1" NPT
12"	HG-4E-12S
24"	HG-4E-24S
36"	HG-4E-36S
48"	HG-4E-48S
60"	HG-4E-60S
72"	HG-4E-72S

"L" = Length	1 1/4" NPT
12"	HG-4F-12S
24"	HG-4F-24S
36"	HG-4F-36S
48"	HG-4F-48S
60"	HG-4F-60S
72"	HG-4F-72S

HG-4-S Series Product Configurator: HG - 4 - S

Ex: HG - 4 - S

Gas Hose, 3/4" NPT Male Ends, 36" Length, (1) 2-Piece Quick Disconnect, (2) Swivel Links, (2) 90° Elbows

Product Specifications:

Safe-T-Link Gas Appliance Connector:
 Coated Hose w/ NPT Male Ends, 2-Piece Quick Disconnect,
 Swivel Links & 90° Elbows

Drawn:

DHL

Checked:

DMH

Approved:

JHB

Scale:

NTS

Date:

09/27/12



T&S BRASS AND BRONZE WORKS, INC.
 2 Saddleback Cove / P.O. Box 1088
 Travelers Rest, SC 29690

Model No.
HG-4-SK Series

Item No.

Travelers Rest, SC: 800-476-4103 • Simi Valley, CA: 800-423-0150 • Fax: 864-834-3518 • www.tsbrass.com

This Space for Architect/Engineer Approval

Job Name _____ Date _____

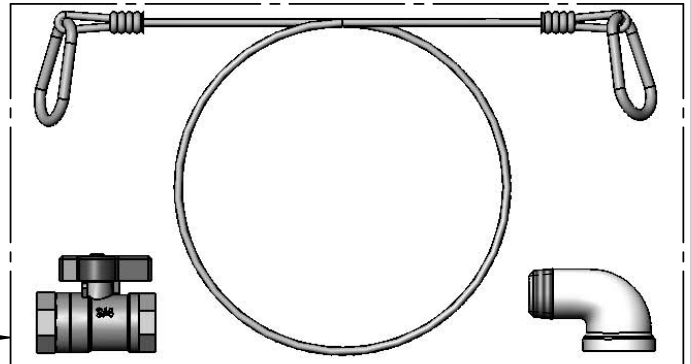
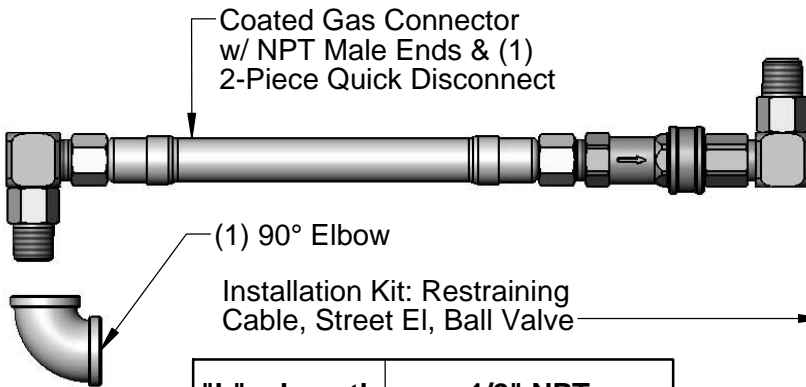
Model Specified _____ Quantity _____

Customer/Wholesaler _____

Contractor _____

Architect/Engineer _____

SAFE·T·LINK



"L" = Length	1/2" NPT
12"	HG-4C-12SK
24"	HG-4C-24SK
36"	HG-4C-36SK
48"	HG-4C-48SK
60"	HG-4C-60SK
72"	HG-4C-72SK

"L" = Length	3/4" NPT
12"	HG-4D-12SK
24"	HG-4D-24SK
36"	HG-4D-36SK
48"	HG-4D-48SK
60"	HG-4D-60SK
72"	HG-4D-72SK

"L" = Length	1" NPT
12"	HG-4E-12SK
24"	HG-4E-24SK
36"	HG-4E-36SK
48"	HG-4E-48SK
60"	HG-4E-60SK
72"	HG-4E-72SK

"L" = Length	1 1/4" NPT
12"	HG-4F-12SK
24"	HG-4F-24SK
36"	HG-4F-36SK
48"	HG-4F-48SK
60"	HG-4F-60SK
72"	HG-4F-72SK

HG-4-SK Series Product Configurator: HG - 4 - SK

Ex: HG - 4 - SK

Gas Hose, 3/4" NPT Male Ends, 36" Length, (1) 2-Piece Quick Disconnect, (1) 90° Elbow, (2) Swivel Links, (1) Installation Kit

Product Specifications:
Safe-T-Link Gas Appliance Connector:
 Coated Hose w/ NPT Male Ends, Swivel Links, 2-Piece Quick Disconnect, 90° Elbow & Installation Kit

Drawn:	Checked:	Approved:
DHL	DMH	JHB
Scale:		Date:
NTS		09/27/12



T&S BRASS AND BRONZE WORKS, INC.
 2 Saddleback Cove / P.O. Box 1088
 Travelers Rest, SC 29690

Model No.
HG-4-SHP Series

Item No.

Travelers Rest, SC: 800-476-4103 • Simi Valley, CA: 800-423-0150 • Fax: 864-834-3518 • www.tsbrass.com

This Space for Architect/Engineer Approval

Job Name _____ Date _____

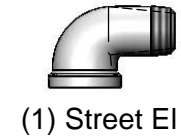
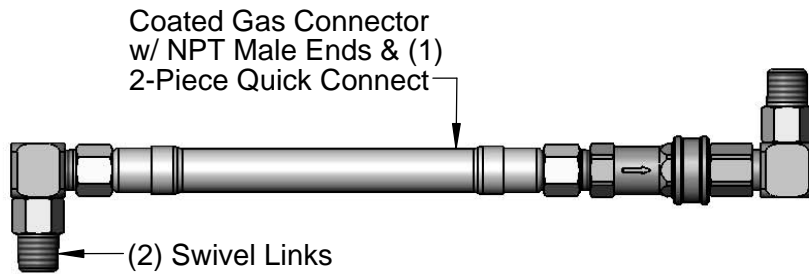
Model Specified _____ Quantity _____

Customer/Wholesaler _____

Contractor _____

Architect/Engineer _____

SAFE·T·LINK



"L" = Length	1/2" NPT
48"	HG-4C-48SHP

"L" = Length	3/4" NPT
48"	HG-4D-48SHP

"L" = Length	1" NPT
48"	HG-4E-48SHP

HG-4-SHP Series Product Configurator: HG - 4 - 48SHP

Ex: HG - 4 - 48SHP

Gas Hose, 3/4" NPT Male Ends, 48" Length, (1) 2-Piece Quick Disconnect,
 (2) Swivel Links, (1) 90° Elbow & (1) Street El

Product Specifications:

Safe-T-Link Gas Appliance Connector:
 Coated Hose w/ NPT Male Ends, 2-Piece Quick Disconnect,
 Swivel Links, 90° Elbow & Street El

Drawn:

DHL

Checked:

DMH

Approved:

JHB

Scale:

NTS

Date:

09/27/12



T&S BRASS AND BRONZE WORKS, INC.
 2 Saddleback Cove / P.O. Box 1088
 Travelers Rest, SC 29690

Model No.
HG-4D-48SEL

Item No.

Travelers Rest, SC: 800-476-4103 • Simi Valley, CA: 800-423-0150 • Fax: 864-834-3518 • www.tsbrass.com

This Space for Architect/Engineer Approval

Job Name _____ Date _____

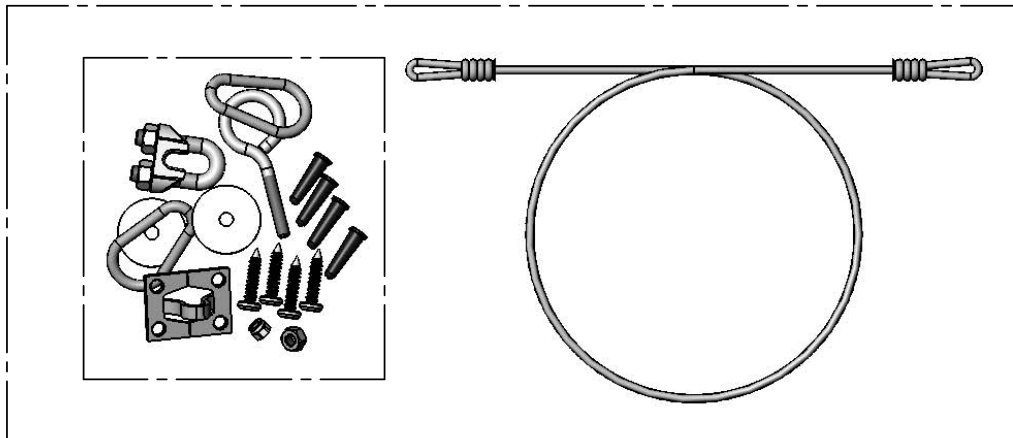
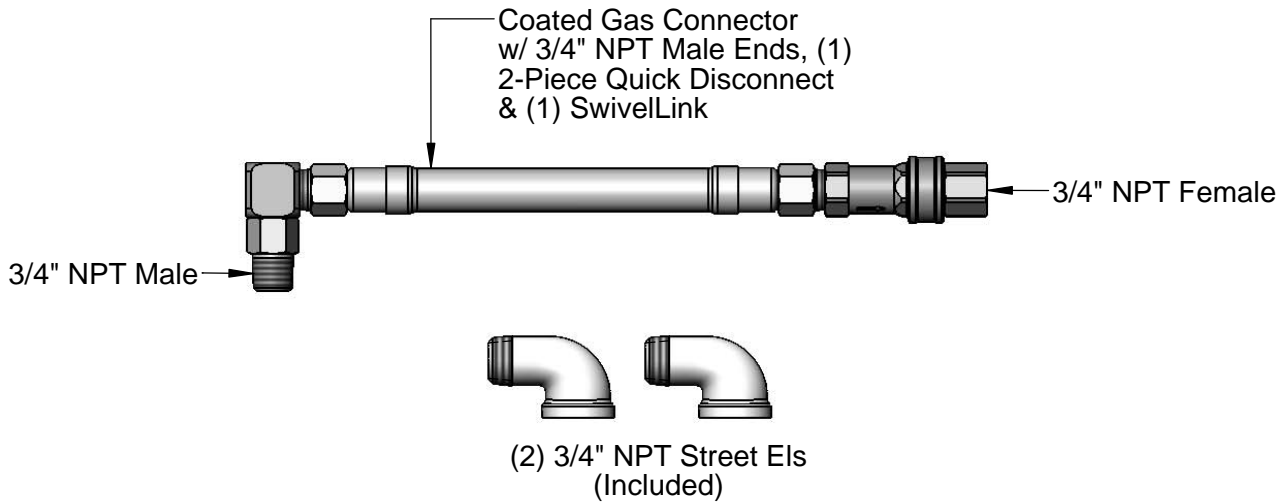
Model Specified _____ Quantity _____

Customer/Wholesaler _____

Contractor _____

Architect/Engineer _____

SAFE·T·LINK



Restraining Cable w/ All Necessary Hardware
 (Included)

Product Specifications:
Safe-T-Link Gas Appliance Connector:
 3/4" NPT x 48" Coated Hose w/ (2) 3/4" NPT Street Els & (1)
 5' Adjustable Restraining Cable w/ Necessary Hardware

Drawn: DHL	Checked: DMH	Approved: JHB
Scale: NTS		Date: 11/15/12



T&S BRASS AND BRONZE WORKS, INC.
 2 Saddleback Cove / P.O. Box 1088
 Travelers Rest, SC 29690

Model No.
HG-4D-48S-QSC

Item No.

Travelers Rest, SC: 800-476-4103 • Simi Valley, CA: 800-423-0150 • Fax: 864-834-3518 • www.tsbrass.com

This Space for Architect/Engineer Approval

Job Name _____ Date _____

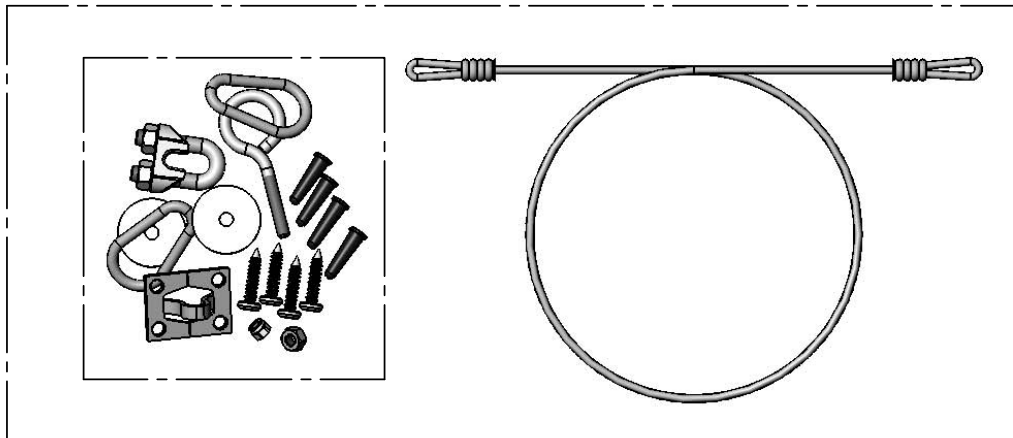
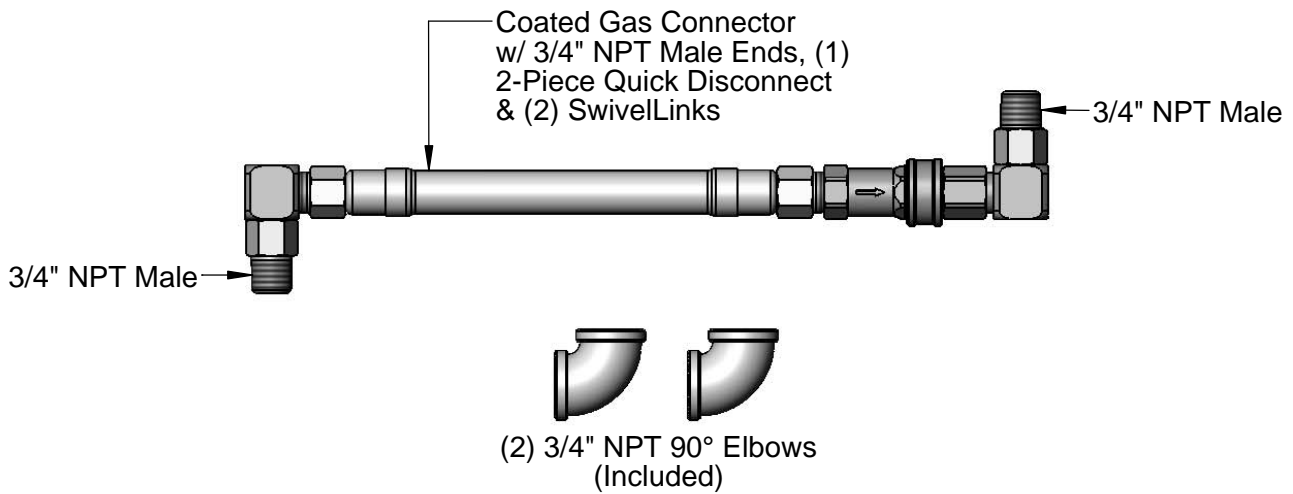
Model Specified _____ Quantity _____

Customer/Wholesaler _____

Contractor _____

Architect/Engineer _____

SAFE·T·LINK



Restraining Cable w/ All Necessary Hardware
 (Included)

Product Specifications:

Safe-T-Link Gas Appliance Connector:
 3/4" NPT x 48" Coated Hose w/ (2) 3/4" NPT 90° Elbows & (1)
 5' Adjustable Restraining Cable w/ Necessary Hardware

Drawn:

DHL

Checked:

DMH

Approved:

JHB

Scale:

NTS

Date:

11/15/12