



**T&S BRASS AND BRONZE WORKS, INC.**  
 2 Saddleback Cove / P.O. Box 1088  
 Travelers Rest, SC 29690

Model No.  
**HG-2 Series**

Item No.

Travelers Rest, SC: 800-476-4103 • Simi Valley, CA: 800-423-0150 • Fax: 864-834-3518 • www.tsbrass.com

This Space for Architect/Engineer Approval

Job Name \_\_\_\_\_ Date \_\_\_\_\_

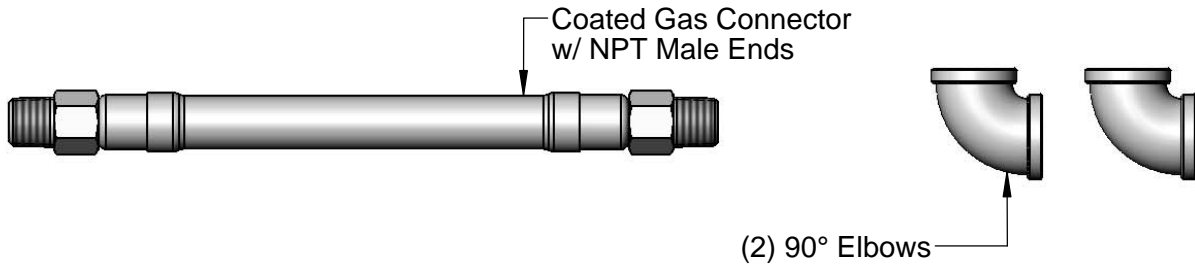
Model Specified \_\_\_\_\_ Quantity \_\_\_\_\_

Customer/Wholesaler \_\_\_\_\_

Contractor \_\_\_\_\_

Architect/Engineer \_\_\_\_\_

# SAFE·T·LINK



"L" = Length	1/2" NPT
12"	HG-2C-12
24"	HG-2C-24
36"	HG-2C-36
48"	HG-2C-48
60"	HG-2C-60
72"	HG-2C-72

"L" = Length	3/4" NPT
12"	HG-2D-12
24"	HG-2D-24
36"	HG-2D-36
48"	HG-2D-48
60"	HG-2D-60
72"	HG-2D-72

"L" = Length	1" NPT
12"	HG-2E-12
24"	HG-2E-24
36"	HG-2E-36
48"	HG-2E-48
60"	HG-2E-60
72"	HG-2E-72

"L" = Length	1 1/4" NPT
12"	HG-2F-12
24"	HG-2F-24
36"	HG-2F-36
48"	HG-2F-48
60"	HG-2F-60
72"	HG-2F-72

**HG-2 Series Product Configurator: HG - 2**  -

Ex: HG - 2  -

Gas Hose, 3/4" NPT Male Ends, 36" Length, (2) 90° Elbows

Product Specifications:  
 Safe-T-Link Gas Appliance Connector:  
 Coated Hose w/ NPT Male Ends & 90° Elbows

Drawn: <b>DHL</b>	Checked: <b>DMH</b>	Approved: <b>JHB</b>
----------------------	------------------------	-------------------------

Scale: <b>NTS</b>	Date: <b>09/27/12</b>
----------------------	--------------------------



**T&S BRASS AND BRONZE WORKS, INC.**  
 2 Saddleback Cove / P.O. Box 1088  
 Travelers Rest, SC 29690

Model No.  
**HG-2-K Series**

Item No.

Travelers Rest, SC: 800-476-4103 • Simi Valley, CA: 800-423-0150 • Fax: 864-834-3518 • www.tsbrass.com

This Space for Architect/Engineer Approval

Job Name \_\_\_\_\_ Date \_\_\_\_\_

Model Specified \_\_\_\_\_ Quantity \_\_\_\_\_

Customer/Wholesaler \_\_\_\_\_

Contractor \_\_\_\_\_

Architect/Engineer \_\_\_\_\_

# SAFE·T·LINK

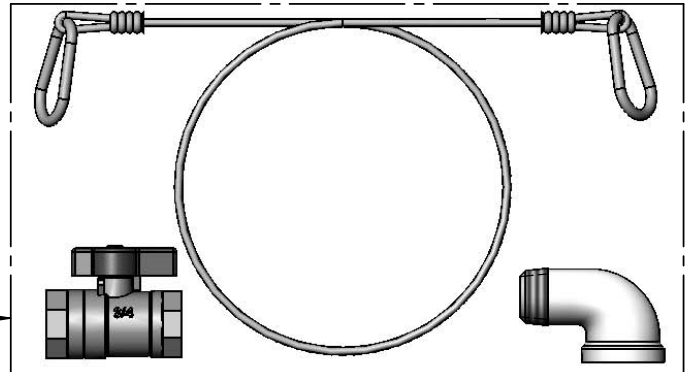


Coated Gas Connector  
w/ NPT Male Ends



(1) 90° Elbow

Installation Kit: Restraining  
Cable, Street El, Ball Valve



"L" = Length	1/2" NPT
12"	HG-2C-12K
24"	HG-2C-24K
36"	HG-2C-36K
48"	HG-2C-48K
60"	HG-2C-60K
72"	HG-2C-72K

"L" = Length	3/4" NPT
12"	HG-2D-12K
24"	HG-2D-24K
36"	HG-2D-36K
48"	HG-2D-48K
60"	HG-2D-60K
72"	HG-2D-72K

"L" = Length	1" NPT
12"	HG-2E-12K
24"	HG-2E-24K
36"	HG-2E-36K
48"	HG-2E-48K
60"	HG-2E-60K
72"	HG-2E-72K

"L" = Length	1 1/4" NPT
12"	HG-2F-12K
24"	HG-2F-24K
36"	HG-2F-36K
48"	HG-2F-48K
60"	HG-2F-60K
72"	HG-2F-72K

**HG-2-K Series Product Configurator: HG - 2  -  K**

Ex: HG - 2  -  K

Gas Hose, 3/4" NPT Male Ends, 36" Length, (1) 90° Elbow, (1) Installation Kit

Product Specifications:  
 Safe-T-Link Gas Appliance Connector:  
 Coated Hose w/ NPT Male Ends, 90° Elbow & Installation Kit,

Drawn:  
**DHL**

Checked:  
**DMH**

Approved:  
**JHB**

Scale:  
**NTS**

Date:  
**09/27/12**



# T&S BRASS AND BRONZE WORKS, INC.

2 SADDLEBACK COVE / P.O. BOX 1088 / TRAVELERS REST, SC 29690

PHONE 800-476-4103

FAX 864-834-3518



REG.#A2601  
ISO #9002

Model No.

HG-2-PS SERIES

Item No.:

Job Name:

Architect/Engineer Approval:



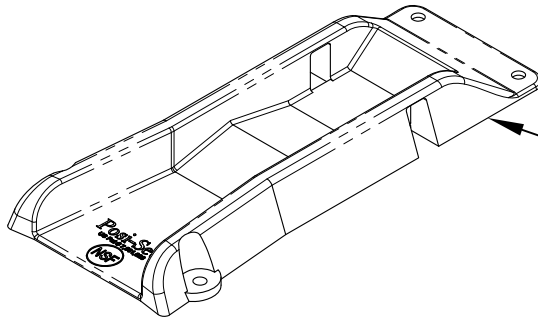
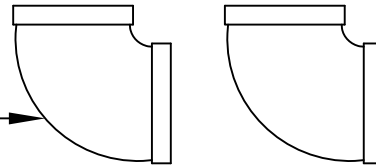
TO ORDER HG-2-PS SERIES: HG---PS

EX: HG-D--PS  
GAS HOSE, 3/4" NPT MALE ENDS, 36" LENGTH



COATED GAS CONNECTOR  
WITH NPT MALE ENDS

(2) 90 DEGREE FEMALE  
NPT ELBOWS.



(2) POSI-SET APPLIANCE  
LOCATING DEVICES  
(INCLUDES MOUNTING HARDWARE)

"L" = LENGTH	1/2" NPT
36"	HG-2C-36-PS
48"	HG-2C-48-PS
60"	HG-2C-60-PS

"L" = LENGTH	3/4" NPT
24"	HG-2D-24-PS
36"	HG-2D-36-PS
48"	HG-2D-48-PS
60"	HG-2D-60-PS
72"	HG-2D-72-PS

"L" = LENGTH	1" NPT
36"	HG-2E-36-PS
48"	HG-2E-48-PS
60"	HG-2E-60-PS

Product Description:  
SAFE-T-LINK GAS APPLIANCE CONNECTOR:  
COATED HOSE, NPT MALE ENDS, FURNISHED WITH  
(2) 90 DEGREE ELBOWS & POSI-SET LOCATING SYSTEM

Drawn:

DMH

Approved

JHB

Checked

KJG

Scale:

NTS

Date:

11/05/10