



T&S BRASS AND BRONZE WORKS, INC.
 2 Saddleback Cove / P.O. Box 1088
 Travelers Rest, SC 29690

Model No.
EB-0107

Item No.

Travelers Rest, SC: 800-476-4103 • Simi Valley, CA: 800-423-0150 • Fax: 864-834-3518 • www.tsbrass.com

This Space for Architect/Engineer Approval

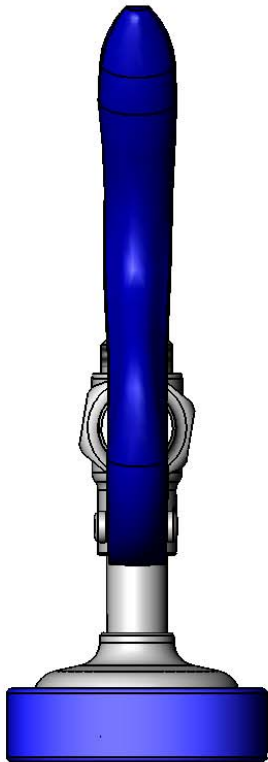
Job Name _____ Date _____

Model Specified _____ Quantity _____

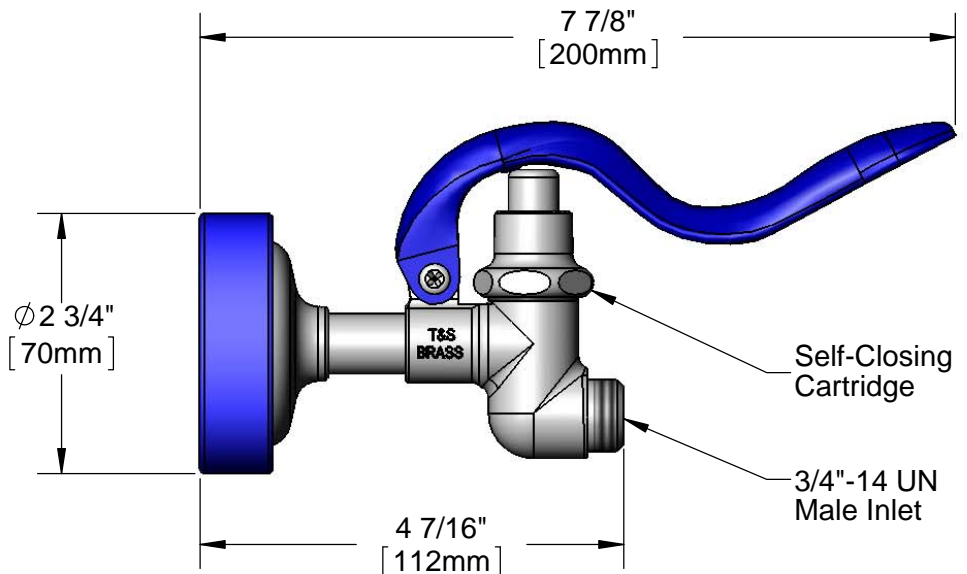
Customer/Wholesaler _____

Contractor _____

Architect/Engineer _____



Hose Washer &
 Hold Down Ring
 (Included)



Product Specifications:
 Self-Closing Pre-Rinse Spray Valve w/ High Flow Spray Face

Product Compliance:
 ASME A112.18.1 / CSA B125.1
 NSF 61 - Section 9
 NSF 372 (Low Lead Content)
 EPA 2005 Non-Compliant (PRSV)



T&S BRASS AND BRONZE WORKS, INC.

2 Saddleback Cove / P.O. Box 1088
Travelers Rest, SC 29690

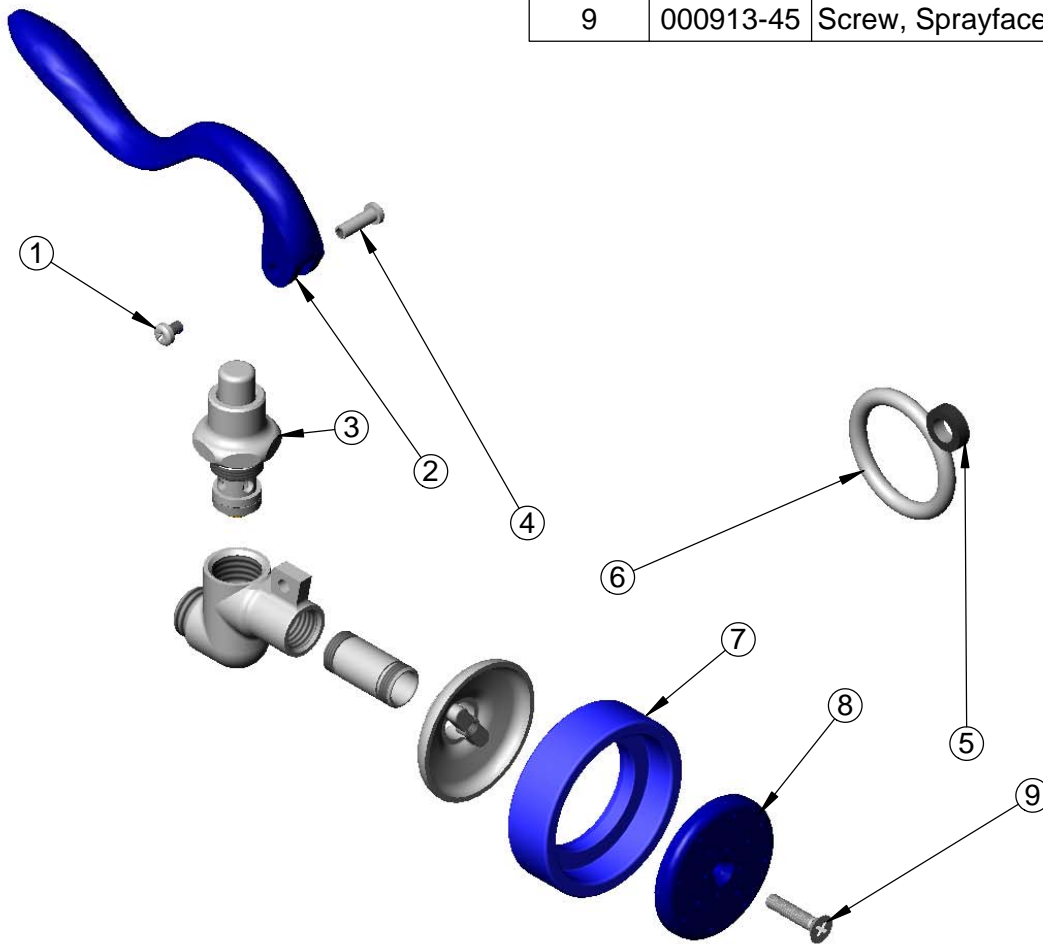
Model No.

EB-0107

Item No.

Travelers Rest, SC: 800-476-4103 • Simi Valley, CA: 800-423-0150 • Fax: 864-834-3518 • www.tsbrass.com

ITEM NO.	SALES NO.	DESCRIPTION
1	003199-45	Handle Screw, Spray Valve
2	011454-45	Handle, Blue Spray Valve
3	010594-40	Bonnet, Spray Valve
4	003198-45	Handle Nut, Spray Valve
5	010476-45	#27 Washer
6	000907-45	Spray Valve Hold Down Ring w/ Washer
7	011475-45	Blue Sprayhead Ring
8	011456-45	Blue Spray Face, High Flow
9	000913-45	Screw, Sprayface



Product Specifications:
Self-Closing Pre-Rinse Spray Valve w/ High Flow Spray Face

Product Compliance:
ASME A112.18.1 / CSA B125.1
NSF 61 - Section 9
NSF 372 (Low Lead Content)
EPA 2005 Non-Compliant (PRSV)



T&S BRASS AND BRONZE WORKS, INC.
 2 Saddleback Cove / P.O. Box 1088
 Travelers Rest, SC 29690

Model No.
EB-0107-035

Item No.

Travelers Rest, SC: 800-476-4103 • Simi Valley, CA: 800-423-0150 • Fax: 864-834-3518 • www.tsbrass.com

This Space for Architect/Engineer Approval

Job Name _____ Date _____

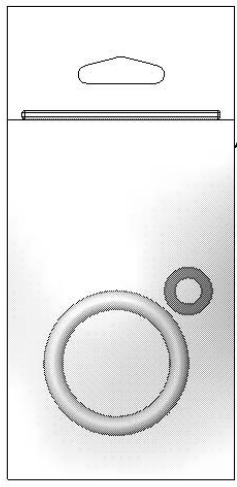
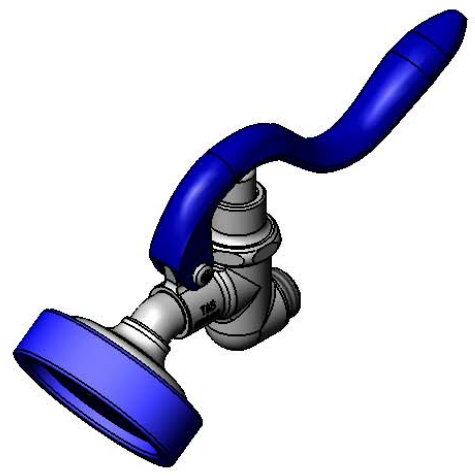
Model Specified _____ Quantity _____

Customer/Wholesaler _____

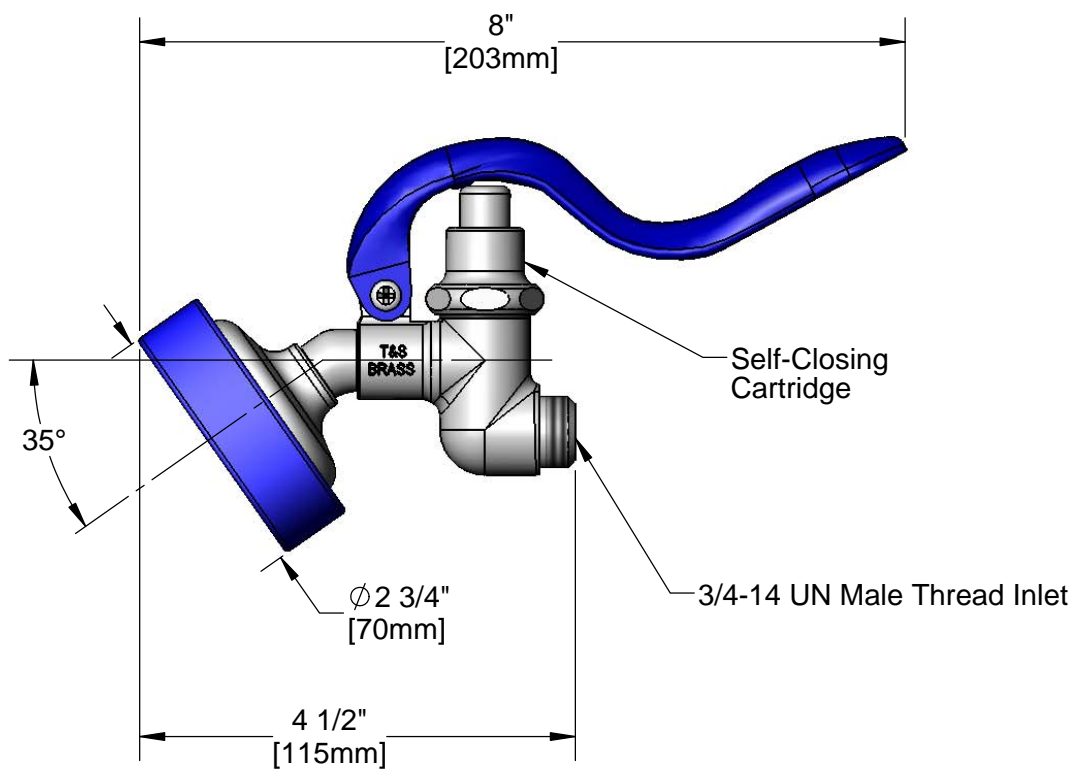
Contractor _____

Architect/Engineer _____

EPAAct2005 Non-Compliant



Furnished w/ Hose Washer & Hold Down Ring



Product Specifications:
 Blue Spray Valve w/ 35° Angle & High Flow Spray Face

Drawn JRM	Checked KJG	Approved JHB
Scale: 1:2		Date: 06/26/12



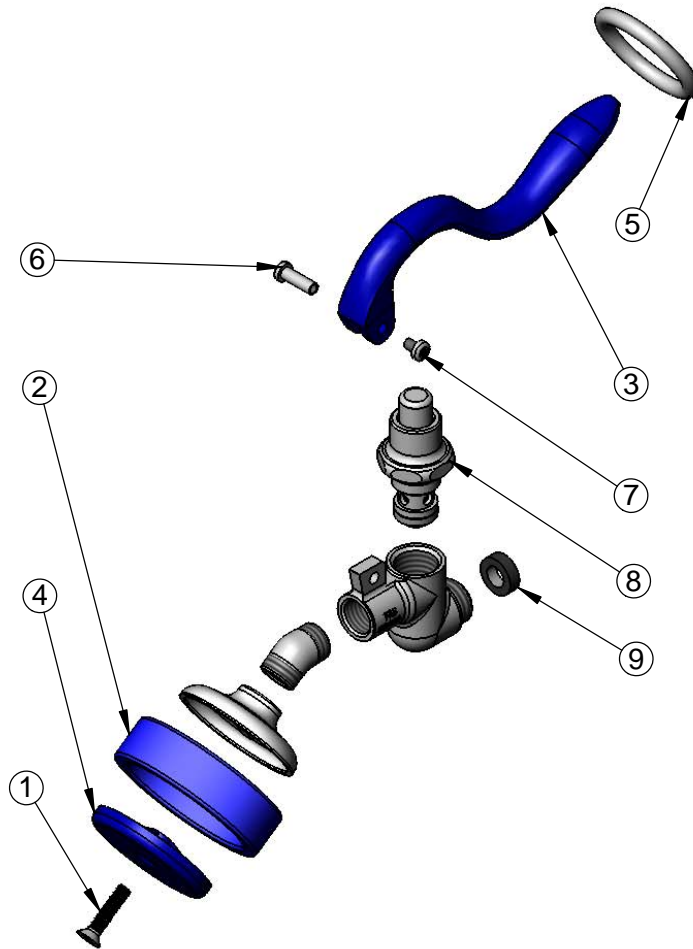
T&S BRASS AND BRONZE WORKS, INC.
 2 Saddleback Cove / P.O. Box 1088
 Travelers Rest, SC 29690

Model No.
EB-0107-035

Item No.

Travelers Rest, SC: 800-476-4103 • Simi Valley, CA: 800-423-0150 • Fax: 864-834-3518 • www.tsbrass.com

ITEM	SALES NO.	DESCRIPTION
1	000913-45	Screw, Sprayface
2	011475-45	Blue Sprayhead Ring
3	011454-45	Handle, Blue Spray Valve
4	011456-45	Blue Spray Face, High Flow
5	000907-45	Hold Down Ring
6	003198-45	Handle Nut, Spray Valve
7	003199-45	Handle Screw, Spray Valve
8	010594-40	Bonnet Asm, Spray Valve
9	010476-45	#27 Washer



Product Specifications:
 Blue Spray Valve w/ 35° Angle & High Flow Spray Face

Drawn JRM	Checked KJG	Approved JHB
Scale: NTS		Date: 06/26/12