



T&S BRASS AND BRONZE WORKS, INC.
 2 Saddleback Cove / P.O. Box 1088
 Travelers Rest, SC 29690

Model No.
EB-0107-J

Item No.

Travelers Rest, SC: 800-476-4103 • Simi Valley, CA: 800-423-0150 • Fax: 864-834-3518 • www.tsbrass.com



This Space for Architect/Engineer Approval

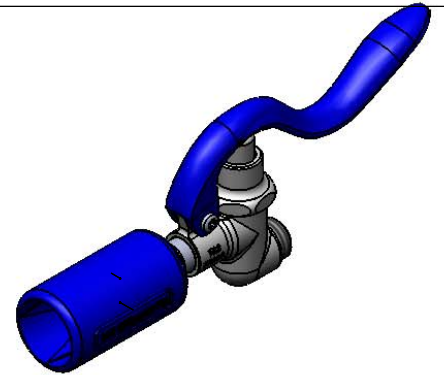
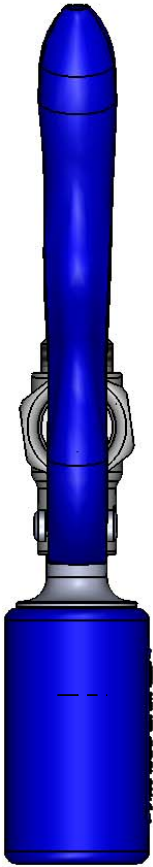
Job Name _____ Date _____

Model Specified _____ Quantity _____

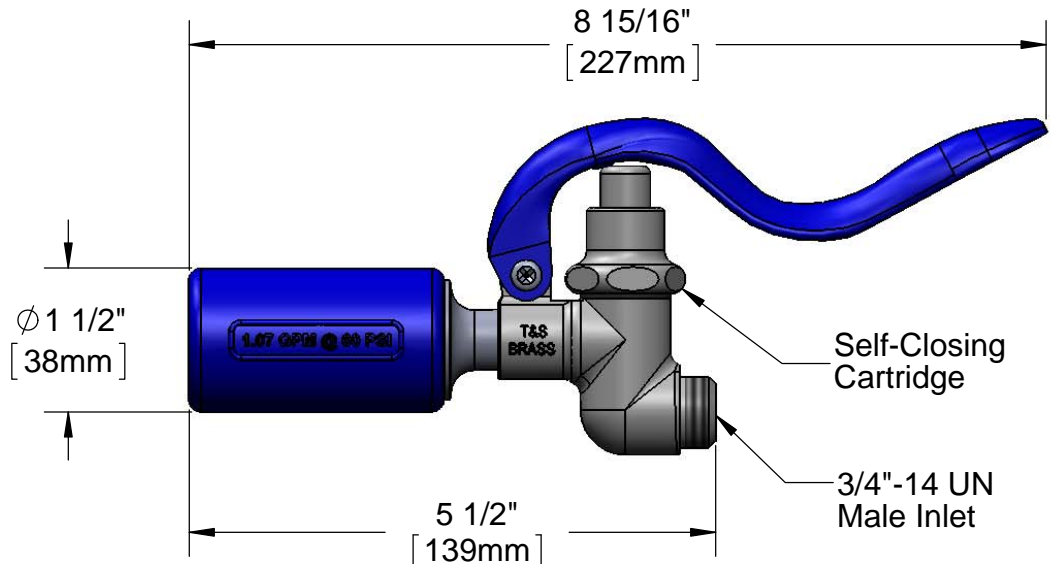
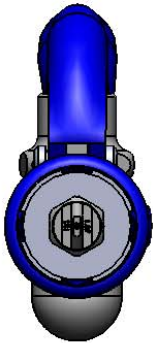
Customer/Wholesaler _____

Contractor _____

Architect/Engineer _____



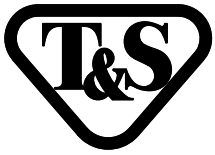
Hose Washer &
 Hold Down Ring
 (Included)



Flow Rate: 1.07 GPM (4.1 Lpm) @ 60 PSI
 Spray Force: 7.2 Ozf (204 Gramf)

Product Specifications:
 Blue Self-Closing Pre-Rinse Spray Valve, 1.07 GPM Spray Nozzle

Product Compliance:
 ASME A112.18.1 / CSA B125.1
 NSF 61 - Section 9
 NSF 372 (Low Lead Content)
 EPA Act 2005 (PRSV)
 EPA WaterSense (PRSV)



T&S BRASS AND BRONZE WORKS, INC.
 2 Saddleback Cove / P.O. Box 1088
 Travelers Rest, SC 29690

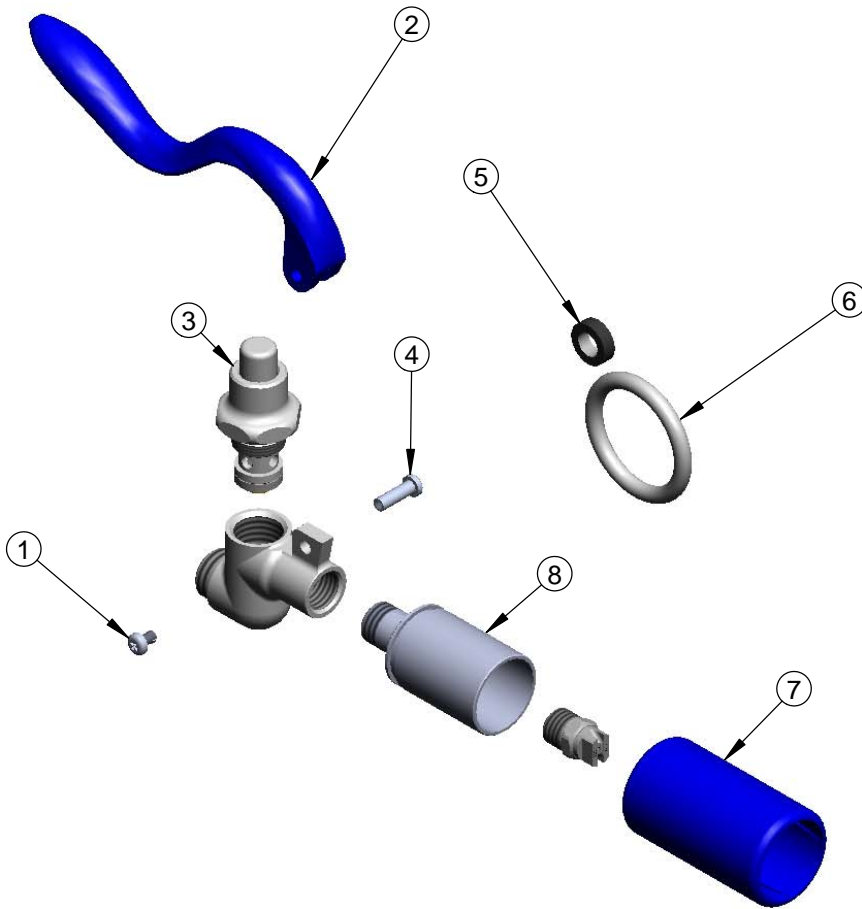
Model No.
EB-0107-J

Item No.

Travelers Rest, SC: 800-476-4103 • Simi Valley, CA: 800-423-0150 • Fax: 864-834-3518 • www.tsbrass.com

BOM Table

ITEM NO.	SALES NO.	DESCRIPTION
1	003199-45	EB-0107-J, Spray Valve
2	011454-45	Blue Spray Valve Handle
3	010594-40	Spray Valve Bonnet
4	003198-45	Spray Valve Handle Nut
5	010476-45	#27 Washer
6	000907-45	Spray Valve Hold Down Ring w/ Washer
7	018293-45	Blue Shield, Low Flow 1.07 GPM
8	003128-25	Low Flow Nozzle Holder



Product Specifications:
 Blue Self-Closing Pre-Rinse Spray Valve, 1.07 GPM Spray Nozzle

Product Compliance:
 ASME A112.18.1 / CSA B125.1
 NSF 61 - Section 9
 NSF 372 (Low Lead Content)
 EPA Act 2005 (PRSV)
 EPA WaterSense (PRSV)



T&S BRASS AND BRONZE WORKS, INC.
 2 Saddleback Cove / P.O. Box 1088
 Travelers Rest, SC 29690

Model No.
EB-0107-J-SWV

Item No.

Travelers Rest, SC: 800-476-4103 • Simi Valley, CA: 800-423-0150 • Fax: 864-834-3518 • www.tsbrass.com

This Space for Architect/Engineer Approval

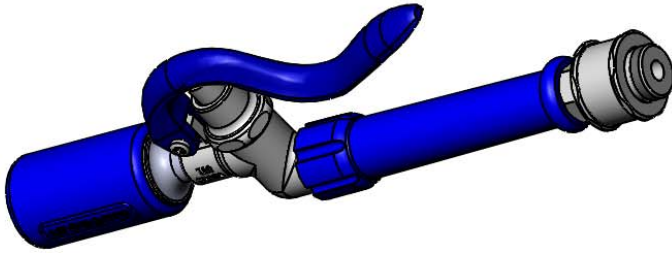
Job Name _____ Date _____

Model Specified _____ Quantity _____

Customer/Wholesaler _____

Contractor _____

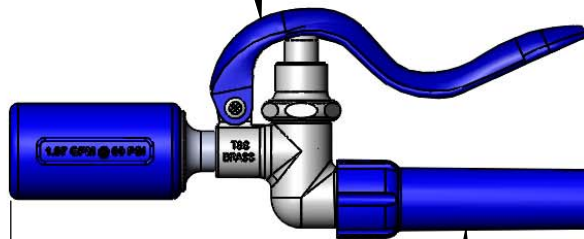
Architect/Engineer _____



Hose Washer &
 Hold Down Ring
 (Included)



EB-0107-J
 1.07 GPM Low Flow
 Spray Valve



018200-40
 Pre-Rinse Swivel

(Pre-Rinse Swivel is Shipped
 Unattached to Spray Valve.
 5/16" Hex Wrench Must be Used
 to Attach Swivel to Hose Before
 Installing Spray Valve.)

011482-40
 Blue Grip Handle

7/8"-20 UN Male Thread
 Fits All T&S Pre-Rinse Hoses

11 1/2"
 [293mm]

Product Specifications:
 Pre-Rinse Unit Accessory:
 Blue 1.07 GPM Low Flow Spray Valve w/ Pre-Rinse Swivel

Product Compliance:
 ASME A112.18.1 / CSA B125.1
 NSF 61 - Section 9
 NSF 372 (Low Lead Content)
 EPA Act 2005 (PRSV)
 EPA WaterSense (PRSV)



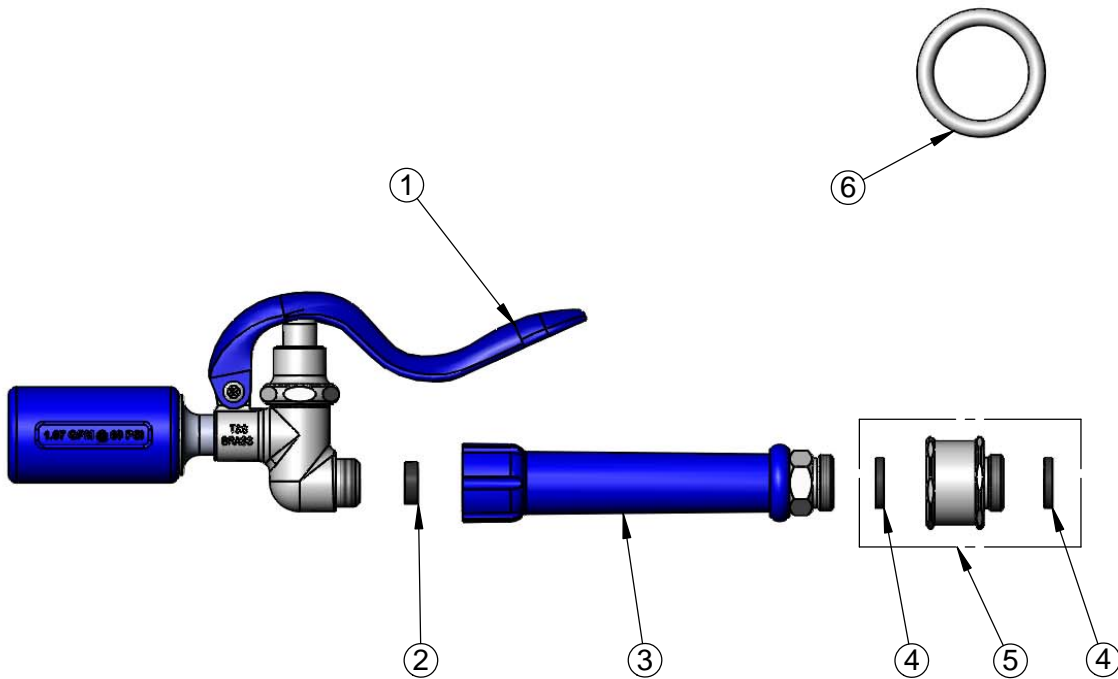
T&S BRASS AND BRONZE WORKS, INC.
 2 Saddleback Cove / P.O. Box 1088
 Travelers Rest, SC 29690

Model No.
EB-0107-J-SWV

Item No.

Travelers Rest, SC: 800-476-4103 • Simi Valley, CA: 800-423-0150 • Fax: 864-834-3518 • www.tsbrass.com

ITEM NO.	SALES NO.	DESCRIPTION
1	EB-0107-J	1.07 GPM Spray Valve w/ Hold Down Ring & Washer
2	010476-45	#27 Washer
3	011482-40	Blue Grip Handle
4	001014-45	Washer, B-0100 Hose Barrel
5	018200-40	Pre-Rinse Swivel w/ 2 Washers
6	000907-45	Spray Valve Hold Down Ring



Product Specifications:
 Pre-Rinse Unit Accessory:
 Blue 1.07 GPM Low Flow Spray Valve w/ Pre-Rinse Swivel

Product Compliance:
 ASME A112.18.1 / CSA B125.1
 NSF 61 - Section 9
 NSF 372 (Low Lead Content)
 EPA Act 2005 (PRSV)
 EPA WaterSense (PRSV)