



T&S BRASS AND BRONZE WORKS, INC.

2 Saddleback Cove / P.O. Box 1088
Travelers Rest, SC 29690

Model No.

BL-4500-01

Item No.

Travelers Rest, SC: 800-476-4103 • Simi Valley, CA: 800-423-0150 • Fax: 864-834-3518 • www.tsbrass.com

This Space for Architect/Engineer Approval

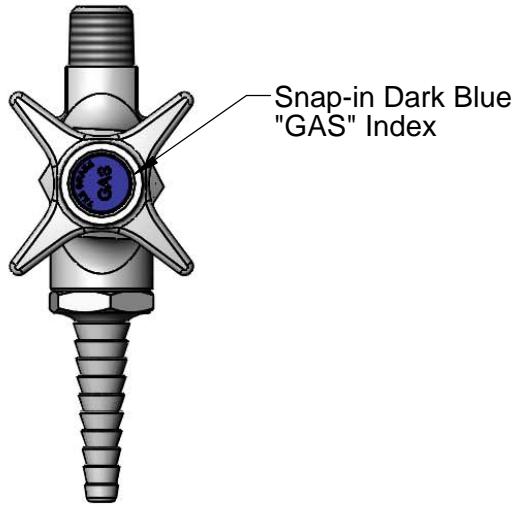
Job Name _____ Date _____

Model Specified _____ Quantity _____

Customer/Wholesaler _____

Contractor _____

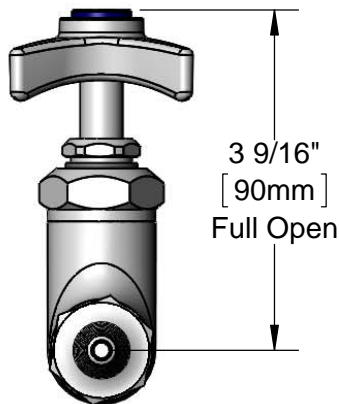
Architect/Engineer _____



209L-AIR
Index
(Included)



209L-VAC
Index
(Included)

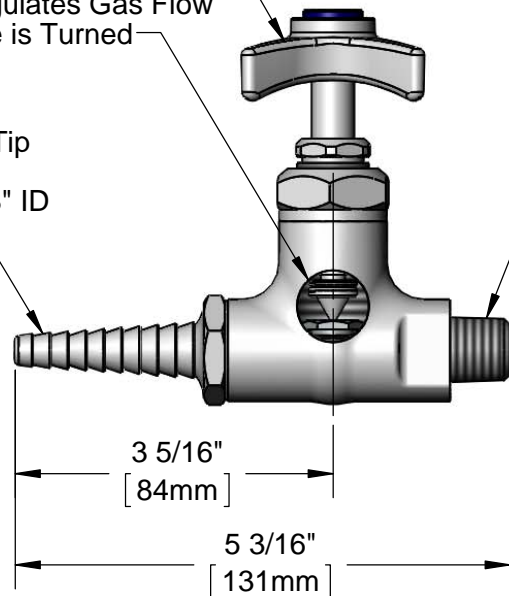


4-Arm Handle w/
Color Coded Indexes

Floating Stainless Steel
Cone Regulates Gas Flow
as Handle is Turned

Serrated Tip
Accepts
1/4" to 3/8" ID
Hoses

3/8" NPT
Male Inlet



Notes:

1. Natural Gas Pressure: 0.5 PSIG Max. (For Natural Gas above 0.5 PSIG or Oxygen and Specialty Gases, use BL-4010-01 Gas Cock.)
2. Air Pressure: 125 PSIG Max.
3. Vacuum: 30 Inches of Mercury Max.
4. Temperature Range: 32 °F - 125 °F

Product Specifications:

Straight Stop w/ "GAS," "AIR" & "VAC" Color Coded Indexes, 4-Arm Handle, Serrated Tip & 3/8" NPT Male Inlet

Product Compliance:

ANSI Z21.15a / CSA 9.1a
ANSI A117.1 (ADA)



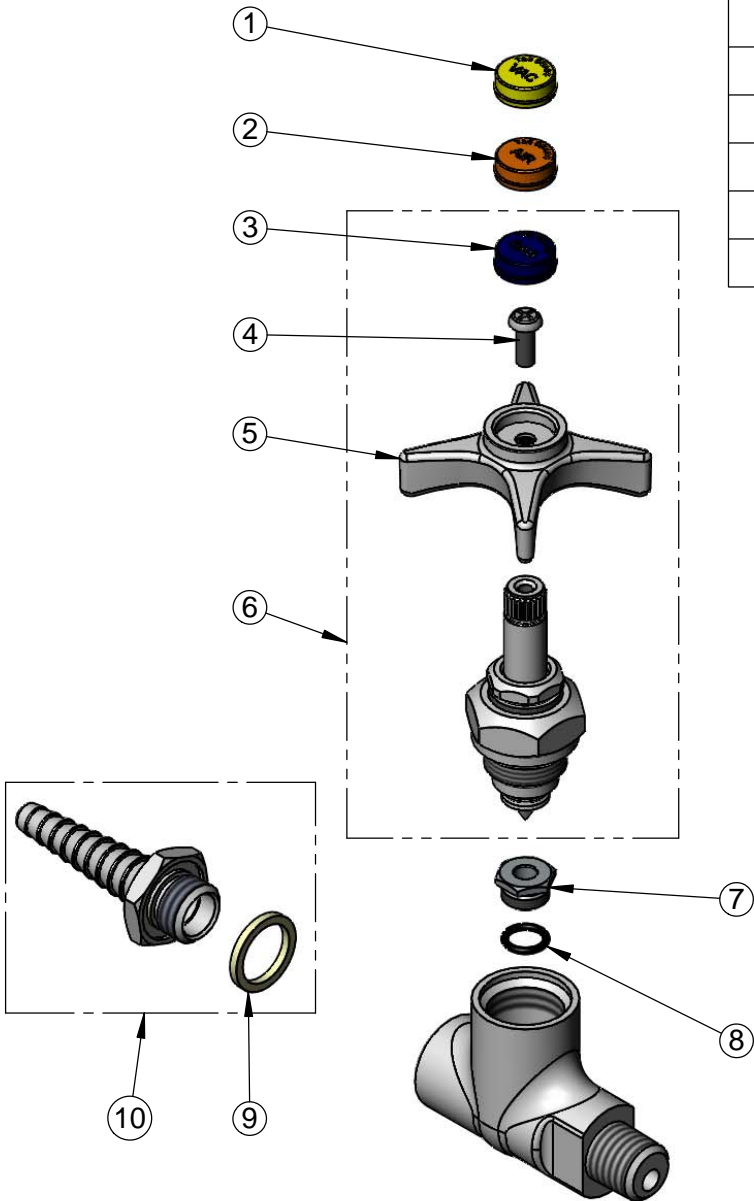
T&S BRASS AND BRONZE WORKS, INC.
 2 Saddleback Cove / P.O. Box 1088
 Travelers Rest, SC 29690

Model No.
BL-4500-01

Item No.

Travelers Rest, SC: 800-476-4103 • Simi Valley, CA: 800-423-0150 • Fax: 864-834-3518 • www.tsbrass.com

ITEM NO.	SALES NO.	DESCRIPTION
1	209L-VAC	Yellow VAC Snap-In Index
2	209L-AIR	Orange AIR Snap-In Index
3	209L-GAS	Dark Blue GAS Snap-In Index
4	000925-45	Lab Handle Screw
5	000059-40	4-Arm Lab Handle
6	110A	Spindle, BL-4500-01
7	000529-20	Seat, BL-4500-01
8	001070-45	O-ring
9	001051-45	Washer
10	BL-5550-04	Serrated Tip



Product Specifications:
 Straight Stop w/ "GAS," "AIR" & "VAC" Color Coded Indexes, 4-Arm Handle,
 Serrated Tip & 3/8" NPT Male Inlet

Product Compliance:
 ANSI Z21.15a / CSA 9.1a
 ANSI A117.1 (ADA)



T&S BRASS AND BRONZE WORKS, INC.
 2 Saddleback Cove / P.O. Box 1088
 Travelers Rest, SC 29690

Model No.
BL-4500-02

Item No.

Travelers Rest, SC: 800-476-4103 • Simi Valley, CA: 800-423-0150 • Fax: 864-834-3518 • www.tsbrass.com



ADA Compliant

This Space for Architect/Engineer Approval

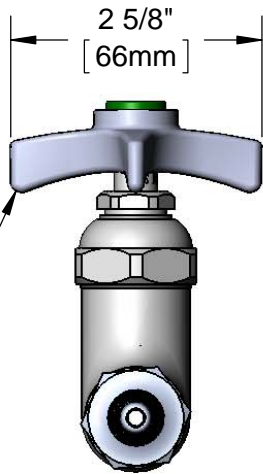
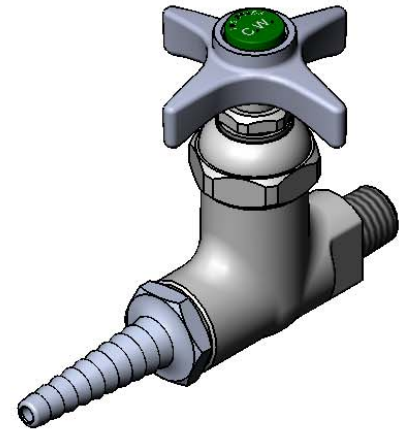
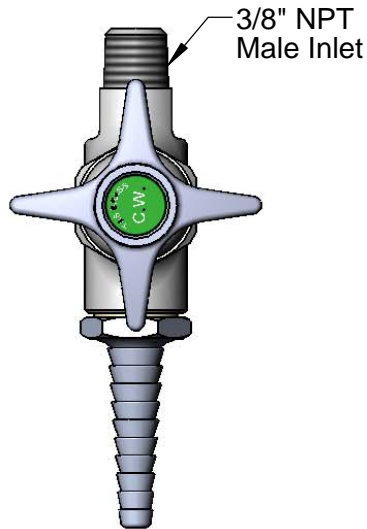
Job Name _____ Date _____

Model Specified _____ Quantity _____

Customer/Wholesaler _____

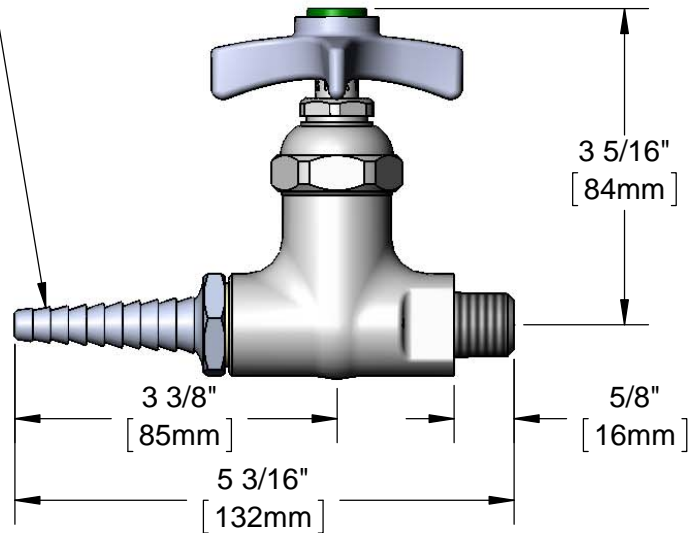
Contractor _____

Architect/Engineer _____



Eterna Cartridge & 4-Arm Handle w/ Snap-In Green "CW" Index

Serrated Tip Accepts 1/4" to 3/8" ID Hoses



Product Specifications:
 Laboratory Straight Stop, Eterna Cartridge, 4-Arm Handle, Serrated Tip & 3/8" NPT Male Inlet

Product Compliance:
 ASME A112.18.1 / CSA B125.1
 NSF 61 Exempt (Non-Potable)
 ANSI A117.1 (ADA)



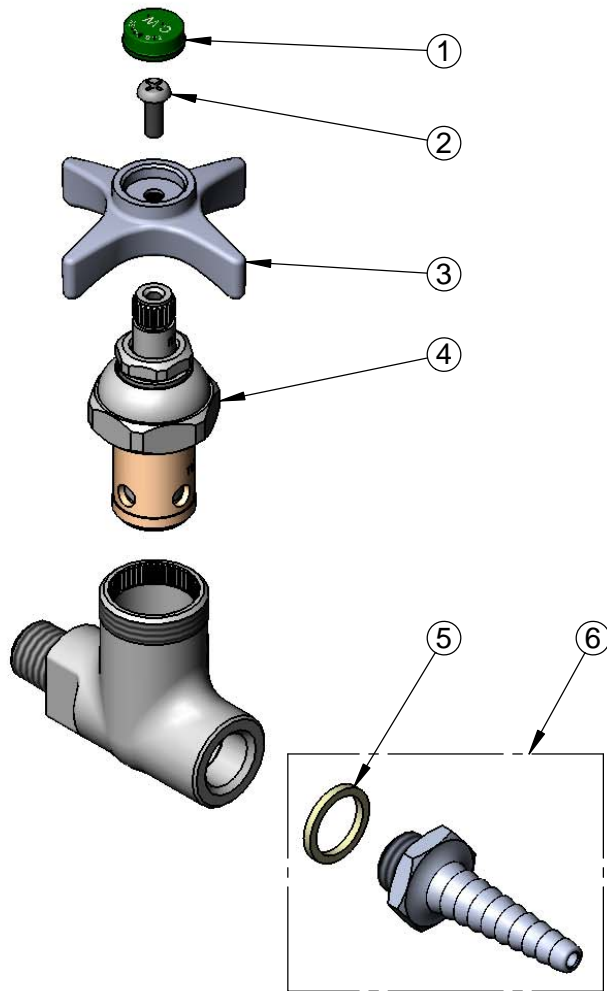
T&S BRASS AND BRONZE WORKS, INC.
 2 Saddleback Cove / P.O. Box 1088
 Travelers Rest, SC 29690

Model No.
BL-4500-02

Item No.

Travelers Rest, SC: 800-476-4103 • Simi Valley, CA: 800-423-0150 • Fax: 864-834-3518 • www.tsbrass.com

ITEM NO.	SALES NO.	DESCRIPTION
1	001191-45	Green Index - CW
2	000925-45	Lab Handle Screw
3	000059-40	4-Arm Lab Handle
4	005960-40	Eterna Cartridge, RTC
5	001051-45	Washer
6	B-0198	Serrated Tip w/ Washer



Product Specifications:
 Laboratory Straight Stop, Eterna Cartridge, 4-Arm Handle, Serrated Tip & 3/8" NPT Male Inlet

Product Compliance:
 ASME A112.18.1 / CSA B125.1
 NSF 61 Exempt (Non-Potable)
 ANSI A117.1 (ADA)



T&S BRASS AND BRONZE WORKS, INC.
 2 Saddleback Cove / P.O. Box 1088
 Travelers Rest, SC 29690

Model No.
BL-4500-04

Item No.

Travelers Rest, SC: 800-476-4103 • Simi Valley, CA: 800-423-0150 • Fax: 864-834-3518 • www.tsbrass.com

This Space for Architect/Engineer Approval

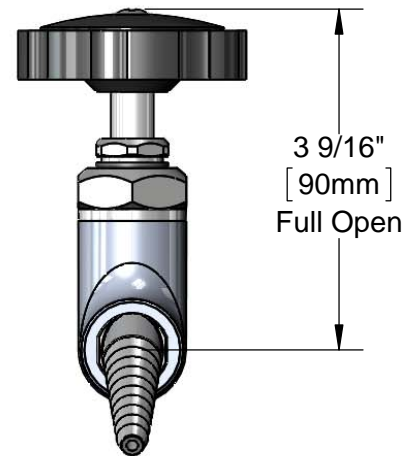
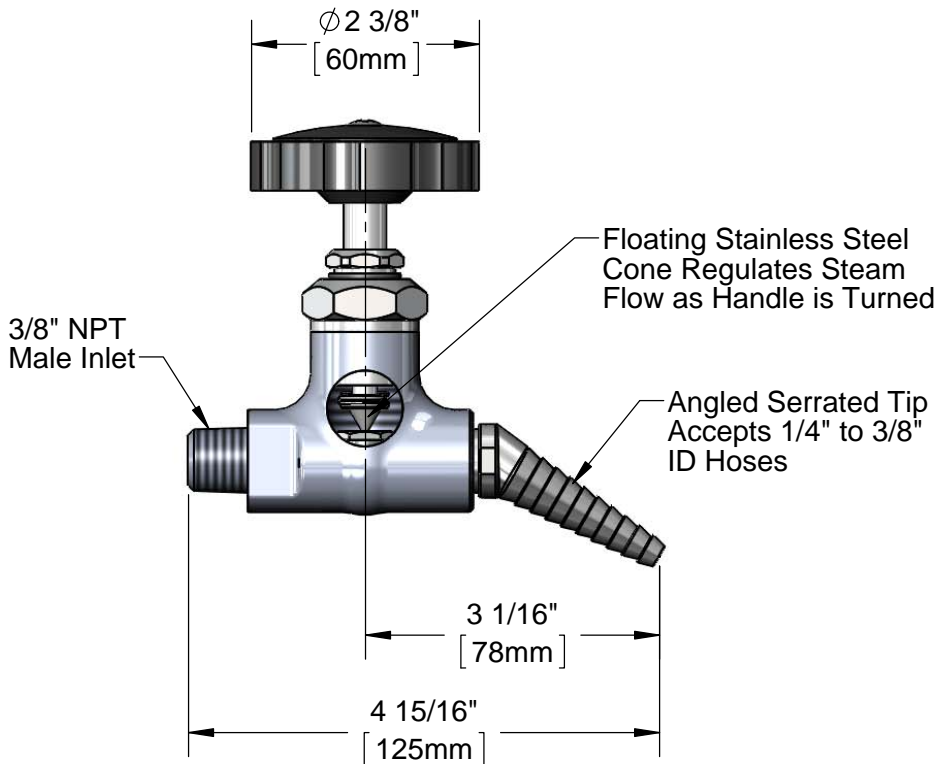
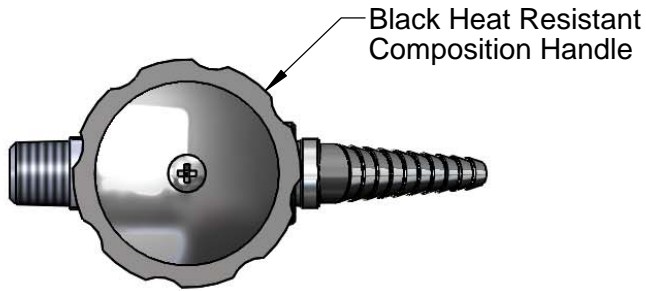
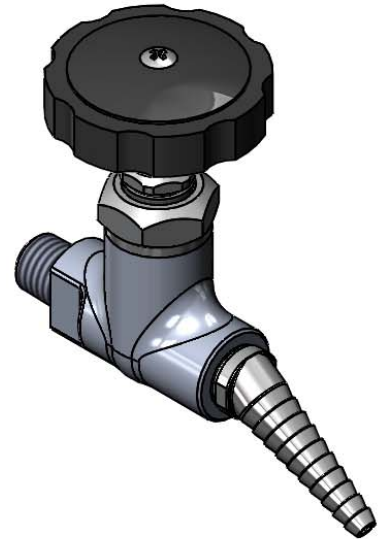
Job Name _____ Date _____

Model Specified _____ Quantity _____

Customer/Wholesaler _____

Contractor _____

Architect/Engineer _____



Product Specifications:
 Steam Stop w/ Black Heat Resistant Handle, Angled Serrated Tip & 3/8" NPT Male Inlet

Drawn DMH	Checked KJG	Approved JHB
Scale: 1:2		Date: 01/28/14

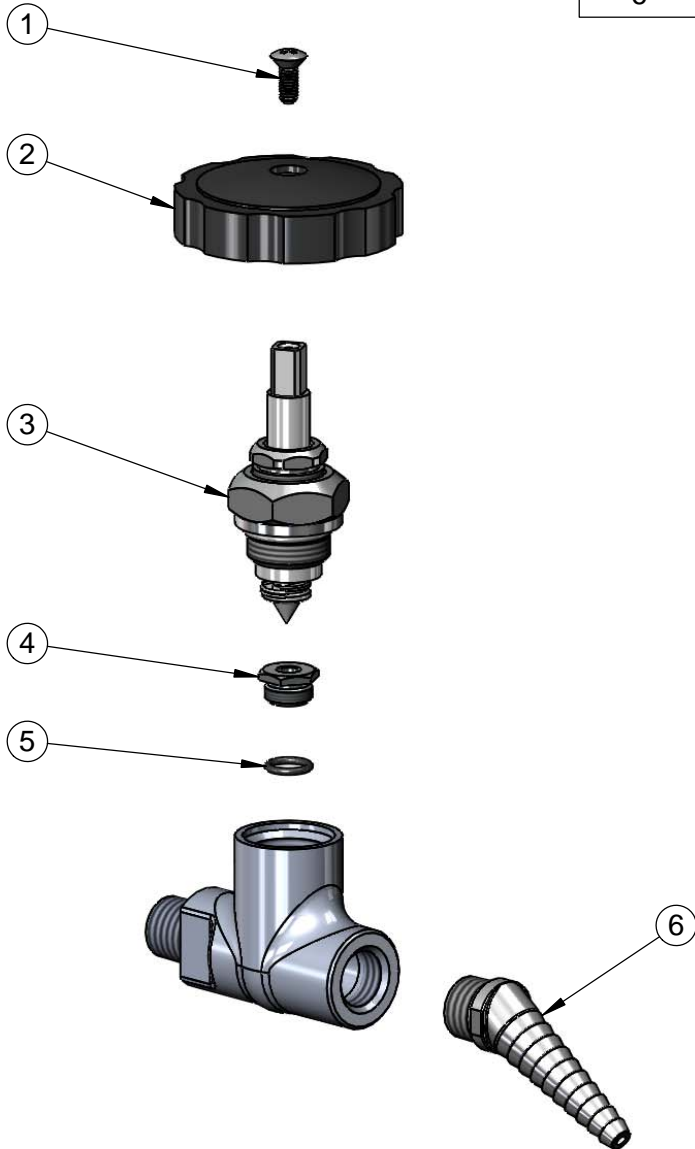


T&S BRASS AND BRONZE WORKS, INC.
 2 Saddleback Cove / P.O. Box 1088
 Travelers Rest, SC 29690

Model No.
BL-4500-04
 Item No.

Travelers Rest, SC: 800-476-4103 • Simi Valley, CA: 800-423-0150 • Fax: 864-834-3518 • www.tsbrass.com

ITEM NO.	SALES NO.	DESCRIPTION
1	000922-45	Lever Handle Screw
2	001149-20	Handle, Heat Resistant, Black
3	118A	Spindle Assembly
4	000529-20	Seat, BL-4500-01
5	006574-45	O-ring
6	BL-5550-05	Angled Serrated Hose End



Product Specifications:
 Steam Stop w/ Black Heat Resistant Handle, Angled Serrated Tip & 3/8" NPT Male Inlet

Drawn DMH	Checked KJG	Approved JHB
Scale: NTS		Date: 01/28/14