

T&S BRASS AND BRONZE WORKS, INC.
 2 SADDLEBACK COVE / P.O. BOX 1088 / TRAVELERS REST, SC 29690
 PHONE 800-476-4103 - FAX 864- 834-3518



Model No.

B-2469

**RELIABILITY
BUILT IN**

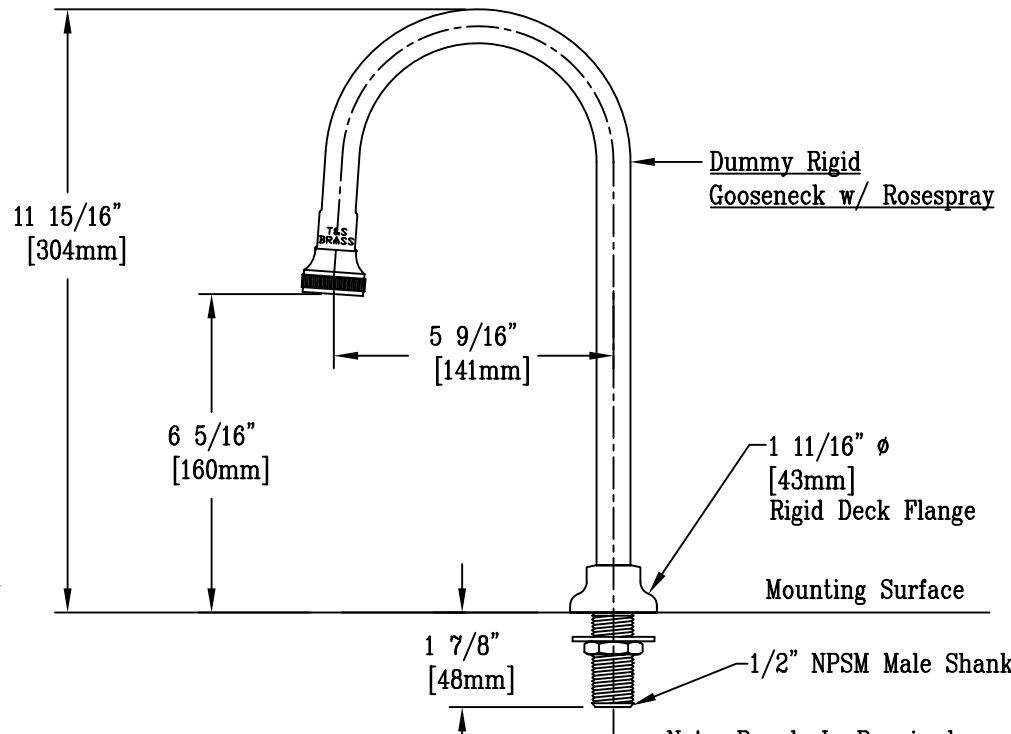
Job Name:

Architect/Engineer Approval:

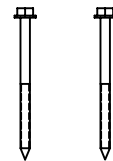
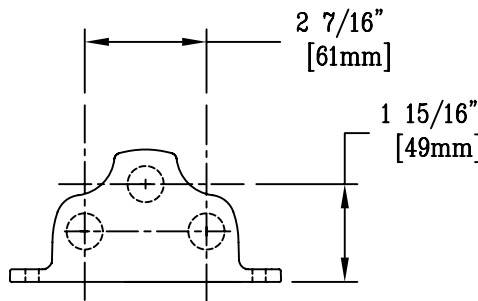
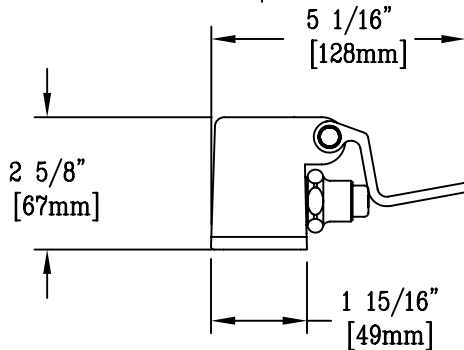
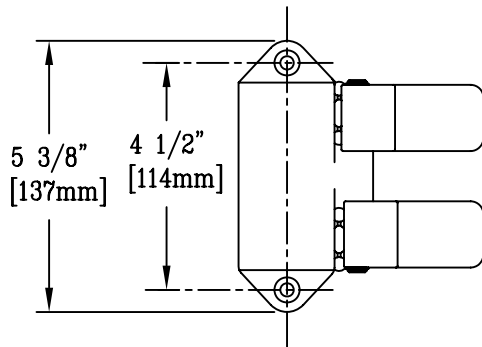
Notes:



150A Tailpiece
and Nut Furnished
for Optional
1/4" NPT Connection



Note: Rough-In Required:
7/8" ϕ for Shank



Furnished w/ (2) "Tapcon"
Fastening Screws

B-0502 Double Pedal Valve

Product Description:

B-0502 Double Pedal Valve w/ B-0520
Rigid Dummy Gooseneck & Rosespray

Drawn:

BHR

Approved

JHB

Checked

JRM

Scale:

1:4

Date:

8/17/07