



# T&S BRASS AND BRONZE WORKS, INC.

2 Saddleback Cove / P.O. Box 1088  
Travelers Rest, SC 29690

Model No.

**B-2414**

Item No.

Travelers Rest, SC: 800-476-4103 • Simi Valley, CA: 800-423-0150 • Fax: 864-834-3518 • www.tsbrass.com



**ADA Compliant**

This Space for Architect/Engineer Approval

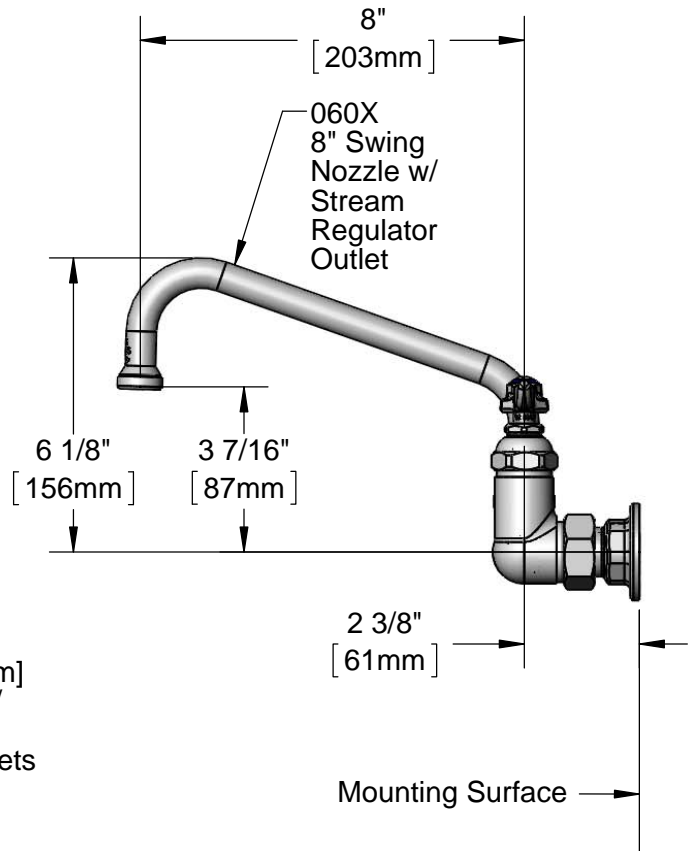
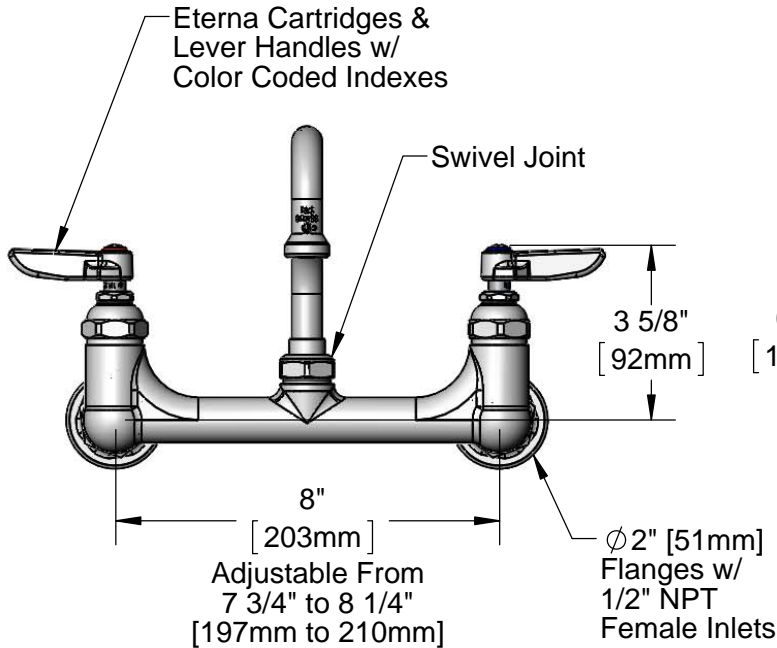
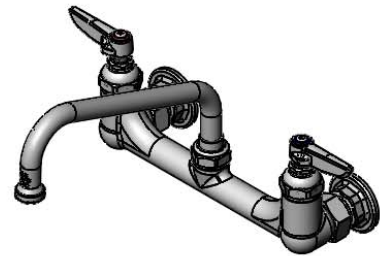
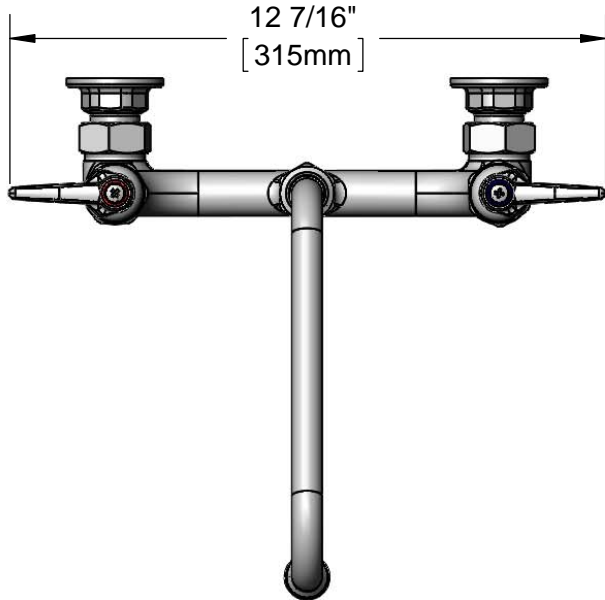
Job Name \_\_\_\_\_ Date \_\_\_\_\_

Model Specified \_\_\_\_\_ Quantity \_\_\_\_\_

Customer/Wholesaler \_\_\_\_\_

Contractor \_\_\_\_\_

Architect/Engineer \_\_\_\_\_



**Product Specifications:**

8" Wall Mount Mixing Faucet, Eterna Cartridges, Lever Handles, 8" Swing Nozzle & 1/2" NPT Female Inlets

**Product Compliance:**

ASME A112.18.1 / CSA B125.1  
NSF 61 - Section 9  
NSF 372 (Low Lead Content)  
ANSI A117.1 (ADA)

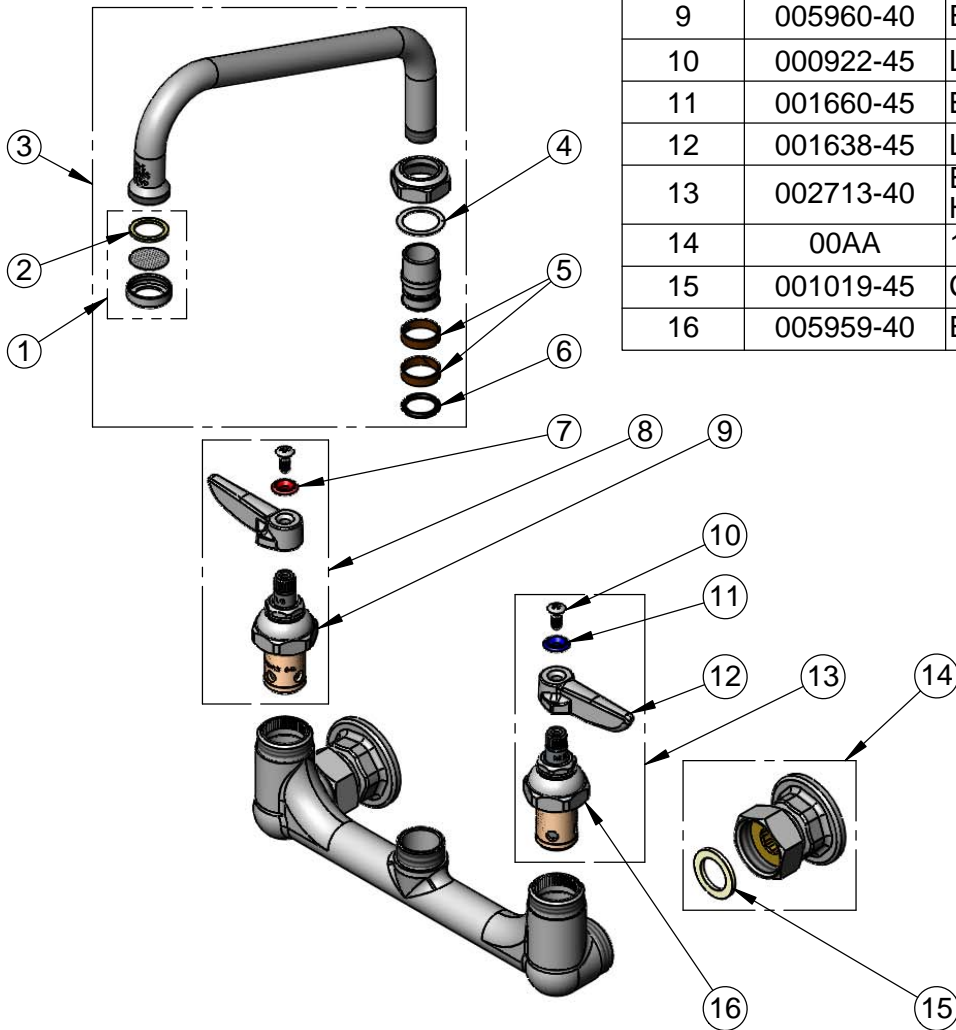


**T&S BRASS AND BRONZE WORKS, INC.**  
 2 Saddleback Cove / P.O. Box 1088  
 Travelers Rest, SC 29690

Model No.  
**B-2414**

Item No.

Travelers Rest, SC: 800-476-4103 • Simi Valley, CA: 800-423-0150 • Fax: 864-834-3518 • www.tsbrass.com



ITEM NO.	SALES NO.	DESCRIPTION
1	B-PT	Stream Regulator Outlet
2	001048-45	Nozzle Tip Washer
3	060X	8" Swing Nozzle
4	009538-45	Swivel Washer
5	011429-45	Swivel Sleeves (2)
6	001074-45	O-Ring
7	001661-45	Red Index-HW
8	002714-40	Eterna Cartridge, RTC w/ Lever Handle, Index & Screw
9	005960-40	Eterna Cartridge, RTC
10	000922-45	Lever Handle Screw
11	001660-45	Blue Index-CW
12	001638-45	Lever Handle
13	002713-40	Eterna Cartridge, LTC w/ Lever Handle, Index & Screw
14	00AA	1/2" NPT Female Eccentric Flange
15	001019-45	Coupling Nut Washer
16	005959-40	Eterna Cartridge, LTC

Product Specifications:  
 8" Wall Mount Mixing Faucet, Eterna Cartridges, Lever Handles,  
 8" Swing Nozzle & 1/2" NPT Female Inlets

Product Compliance:  
 ASME A112.18.1 / CSA B125.1  
 NSF 61 - Section 9  
 NSF 372 (Low Lead Content)  
 ANSI A117.1 (ADA)



# T&S BRASS AND BRONZE WORKS, INC.

2 Saddleback Cove / P.O. Box 1088  
Travelers Rest, SC 29690



REG. #A2601  
ISO #9001

Model No.

**B-2414-CR-SC**

Item No.

Travelers Rest, SC: 800-476-4103 Simi Valley, CA: 800-423-0150 Fax: 864-834-3518 www.tsbrass.com

This Space for Architect/Engineer Approval

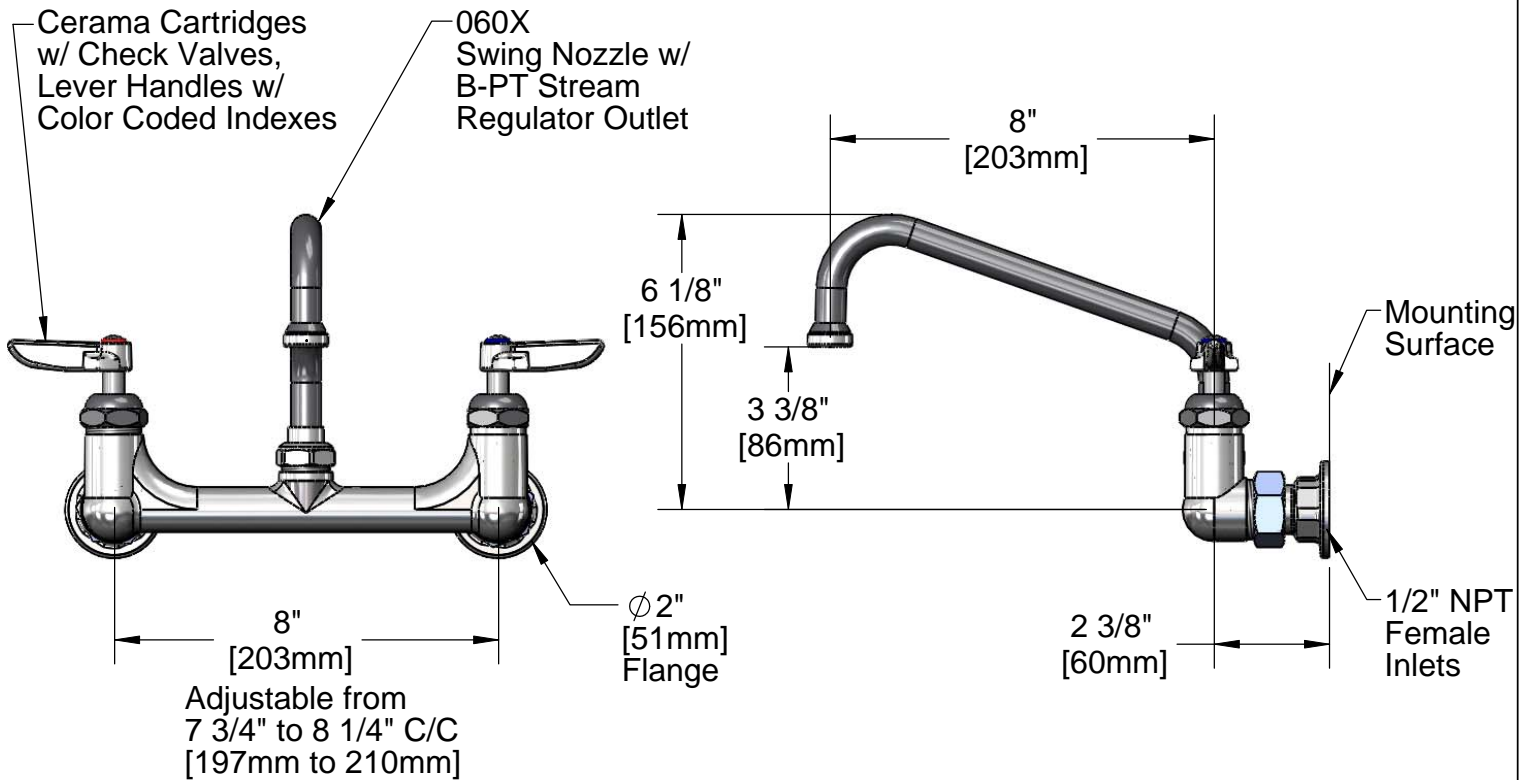
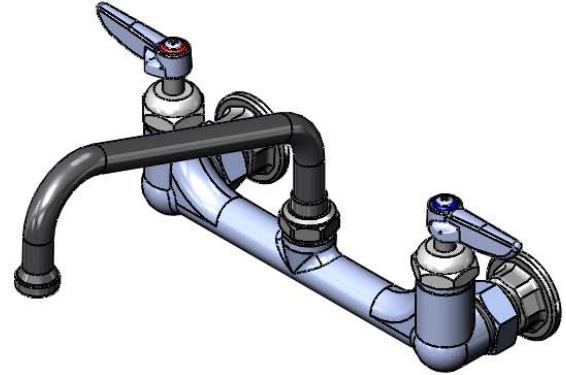
Job Name \_\_\_\_\_ Date \_\_\_\_\_

Model Specified \_\_\_\_\_ Quantity \_\_\_\_\_

Customer/Wholesaler \_\_\_\_\_

Contractor \_\_\_\_\_

Architect/Engineer \_\_\_\_\_



**Product Specifications:**

8" c/c Wall Mount Mixing Faucet w/ Cerama Cartridges w/ Check Valves, 8" Swing Nozzle, B-PT Stream Regulator Outlet & 1/2" NPT Female Inlets

Drawn <b>KJG</b>	Checked <b>DMH</b>	Approved <b>JHB</b>
Scale: <b>1:4</b>		Date: <b>10/08/10</b>



**T&S BRASS AND BRONZE WORKS, INC.**

2 Saddleback Cove / P.O. Box 1088  
Travelers Rest, SC 29690



REG. #A2601  
ISO #9001

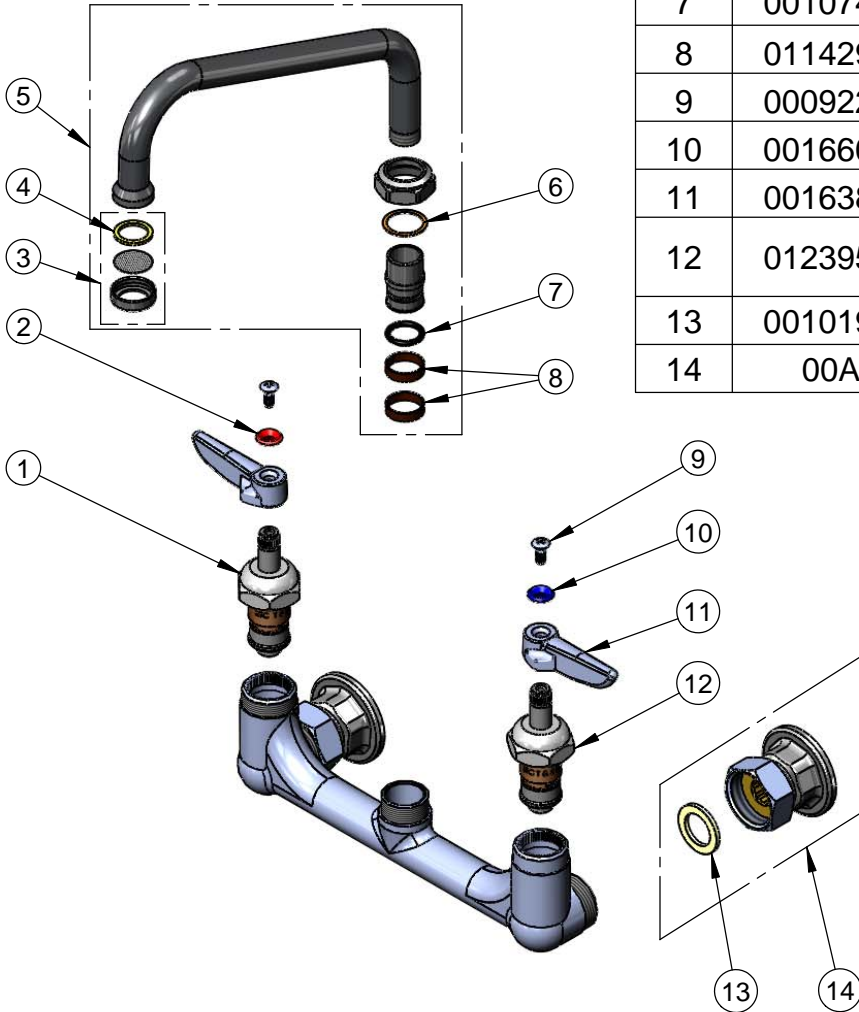
Model No.

**B-2414-CR-SC**

Item No.

Travelers Rest, SC: 800-476-4103 Simi Valley, CA: 800-423-0150 Fax: 864-834-3518 www.tsbrass.com

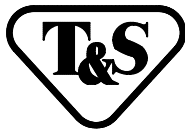
ITEM NO.	SALES NO.	DESCRIPTION
1	012394-25	Cerama Cartridge, RTC w/ Check Valve
2	001661-45	Red Index-HW
3	B-PT	Stream Regulator Outlet
4	001048-45	Nozzle Tip Washer
5	060X	8" Swing Nozzle Assembly
6	009538-45	Swivel Washer
7	001074-45	O-Ring
8	011429-45	Swivel Sleeves (2)
9	000922-45	Lever Handle Screw
10	001660-45	Blue Index-CW
11	001638-45	Lever Handle
12	012395-25	Cerama Cartridge, LTC w/ Check Valve
13	001019-45	Coupling Nut Washer
14	00AA	Flange Assembly



Product Specifications:

8" c/c Wall Mount Mixing Faucet w/ Cerama Cartridges w/ Check Valves, 8" Swing Nozzle, B-PT Stream Regulator Outlet & 1/2" NPT Female Inlets

Drawn <b>KJG</b>	Checked <b>DMH</b>	Approved <b>JHB</b>
Scale: <b>NTS</b>		Date: <b>10/08/10</b>



# T&S BRASS AND BRONZE WORKS, INC.

2 SADDLEBACK COVE / P.O. BOX 1088 / TRAVELERS REST, SC 29690  
(803) 834-4102 TELEX 57-0311 FAX (803) 834-3518

Model No.

B-0233-02

Item No.:

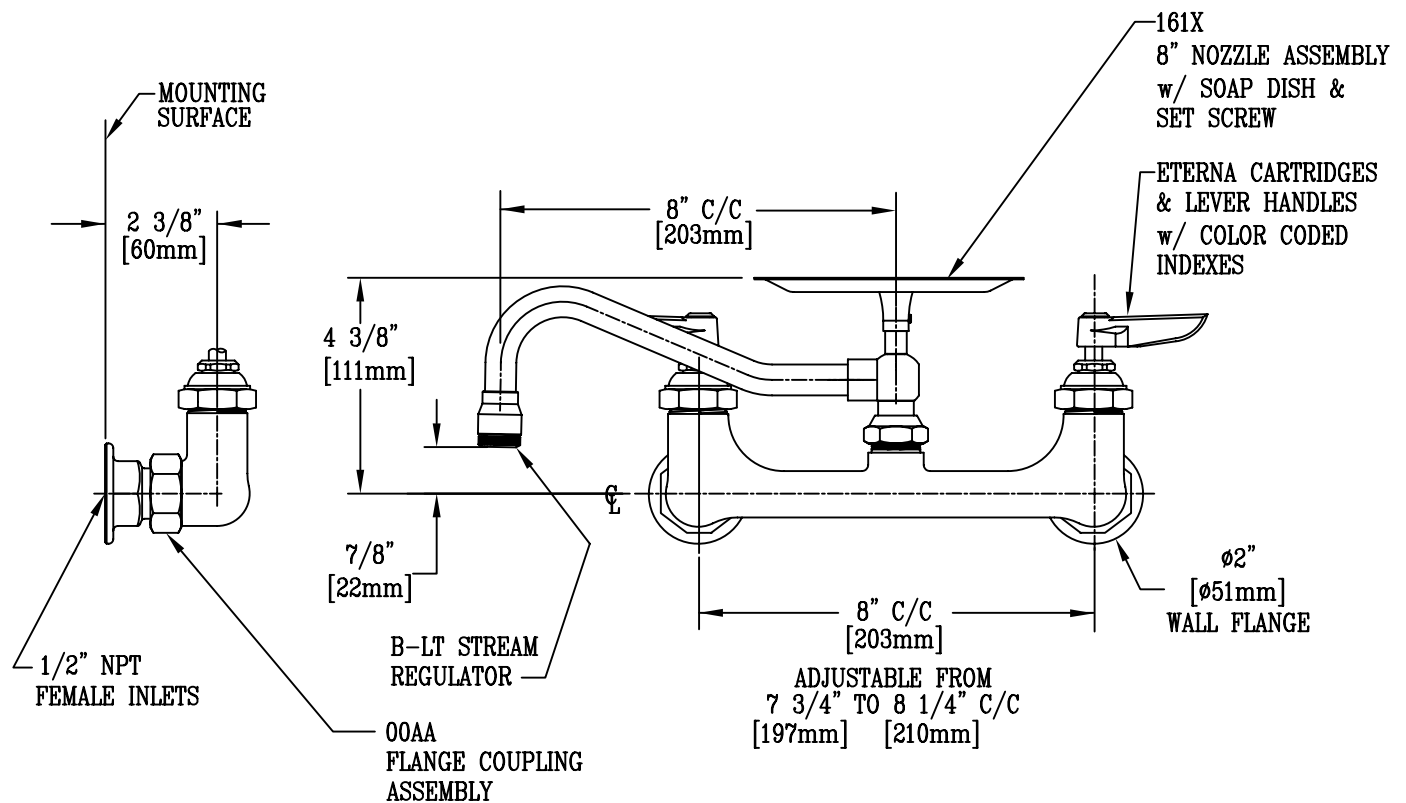
Job Name:

Architect/Engineer Approval:

Notes:



ADA COMPLIANT



**NOTES:**

1. SOAP DISH TURNS WITH NOZZLE.

**Product Description:**

8" c/c WALL MOUNT MIXING FAUCET, LEVER HANDLES, 8" NOZZLE ASSEMBLY w/ SOAP DISH ATTACHMENT, B-LT STREAM REGULATOR & 1/2" NPT FEMALE INLETS

Drawn:

KJG

Checked

DHL

Scale:

1:4

Approved

JHB

Date:

10/05/09



# T&S BRASS AND BRONZE WORKS, INC.

2 Saddleback Cove / P.O. Box 1088  
Travelers Rest, SC 29690



REG. #A2601  
ISO #9001

Model No.

**B-2414-SC**

Item No.

Travelers Rest, SC: 800-476-4103 Simi Valley, CA: 800-423-0150 Fax: 864-834-3518 www.tsbrass.com

This Space for Architect/Engineer Approval

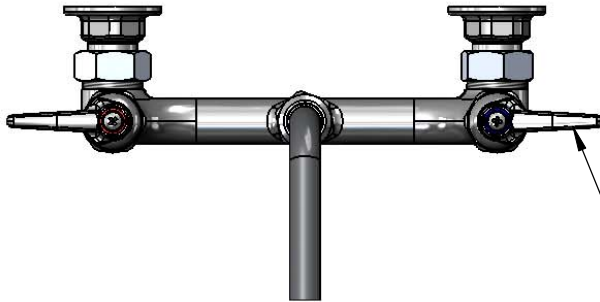
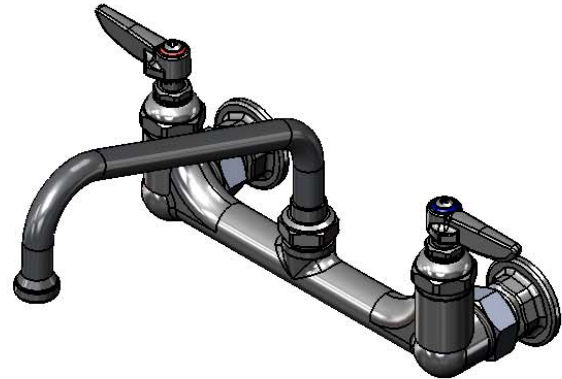
Job Name \_\_\_\_\_ Date \_\_\_\_\_

Model Specified \_\_\_\_\_ Quantity \_\_\_\_\_

Customer/Wholesaler \_\_\_\_\_

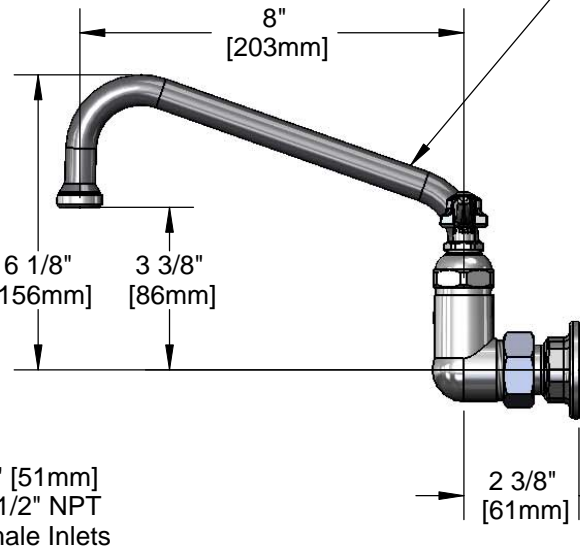
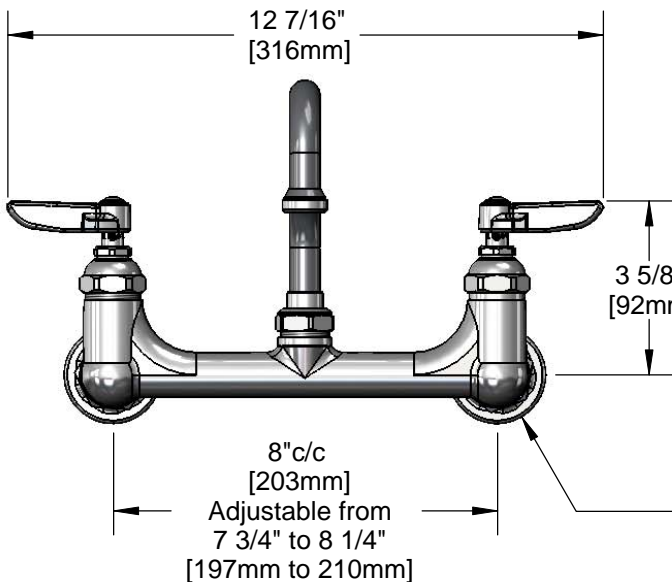
Contractor \_\_\_\_\_

Architect/Engineer \_\_\_\_\_



Eterna Cartridge w/  
Spring Checks &  
Lever Handles  
w/ Color Coded  
Indexes

060X  
Swing Nozzle w/  
B-PT  
Stream Regulator



Ø2" [51mm]  
w/ 1/2" NPT  
Female Inlets

Product Specifications:

8" c/c Wall Mount Mixing Faucet w/ 1/2" NPT Female Inlet Flanges, Eterna Cartridges w/ Spring Checks & Lever Handles & 060X Swing Nozzle

Drawn  
DHL

Checked  
KJG

Approved  
JHB

Scale:

1:4

Date:

09/02/10





**T&S BRASS AND BRONZE WORKS, INC.**

2 Saddleback Cove / P.O. Box 1088  
Travelers Rest, SC 29690



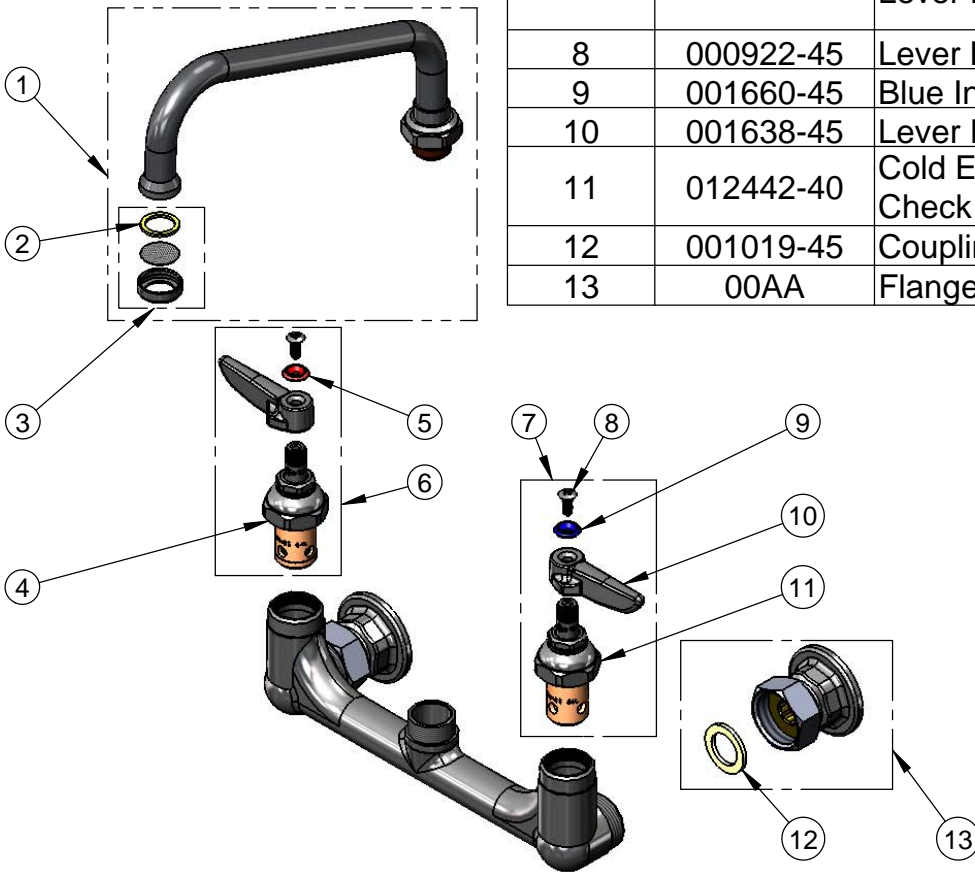
REG. #A2601  
ISO #9001

Model No.  
**B-2414-SC**

Item No.

Travelers Rest, SC: 800-476-4103 Simi Valley, CA: 800-423-0150 Fax: 864-834-3518 www.tsbrass.com

ITEM NO.	SALES NO.	DESCRIPTION
1	060X	8" Swing Nozzle
2	001048-45	Nozzle Tip Washer
3	B-PT	Stream Regulator Outlet
4	012443-40	Hot Eterna Spindle Assembly w/ Spring Check
5	001661-45	Red Index-HW
6	002712-40	Hot Spindle Assembly w/ Sping Check, Lever Handle, Index and Screw
7	002711-40	Cold Spindle Assembly w/ Sping Check, Lever Handle, Index and Screw
8	000922-45	Lever Handle Screw
9	001660-45	Blue Index-CW
10	001638-45	Lever Handle
11	012442-40	Cold Eterna Spindle Assembly w/ Spring Check
12	001019-45	Coupling Nut Washer
13	00AA	Flange Coupling Nut



Product Specifications:

8" c/c Wall Mount Mixing Faucet w/ 1/2" NPT Female Inlet Flanges, Eterna Cartridges w/ Spring Checks & Lever Handles & 060X Swing Nozzle

Drawn <b>DHL</b>	Checked <b>KJG</b>	Approved <b>JHB</b>
Scale: <b>1:2</b>		Date: <b>09/02/10</b>