



T&S BRASS AND BRONZE WORKS, INC.
 2 Saddleback Cove / P.O. Box 1088
 Travelers Rest, SC 29690

Model No.
B-2360-AR

Item No.

Travelers Rest, SC: 800-476-4103 • Simi Valley, CA: 800-423-0150 • Fax: 864-834-3518 • www.tsbrass.com

This Space for Architect/Engineer Approval

Job Name _____ Date _____

Model Specified _____ Quantity _____

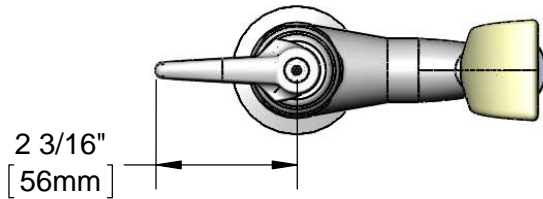
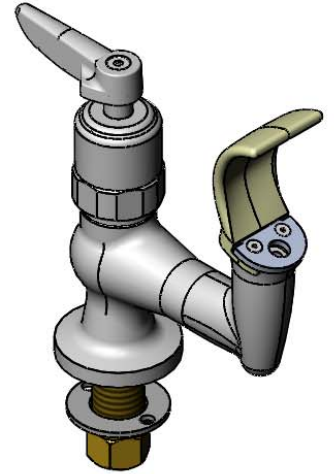
Customer/Wholesaler _____

Contractor _____

Architect/Engineer _____

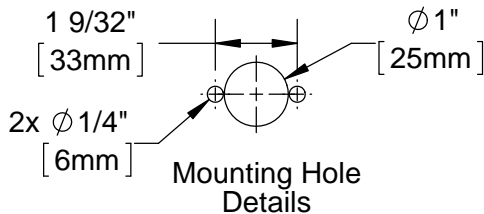
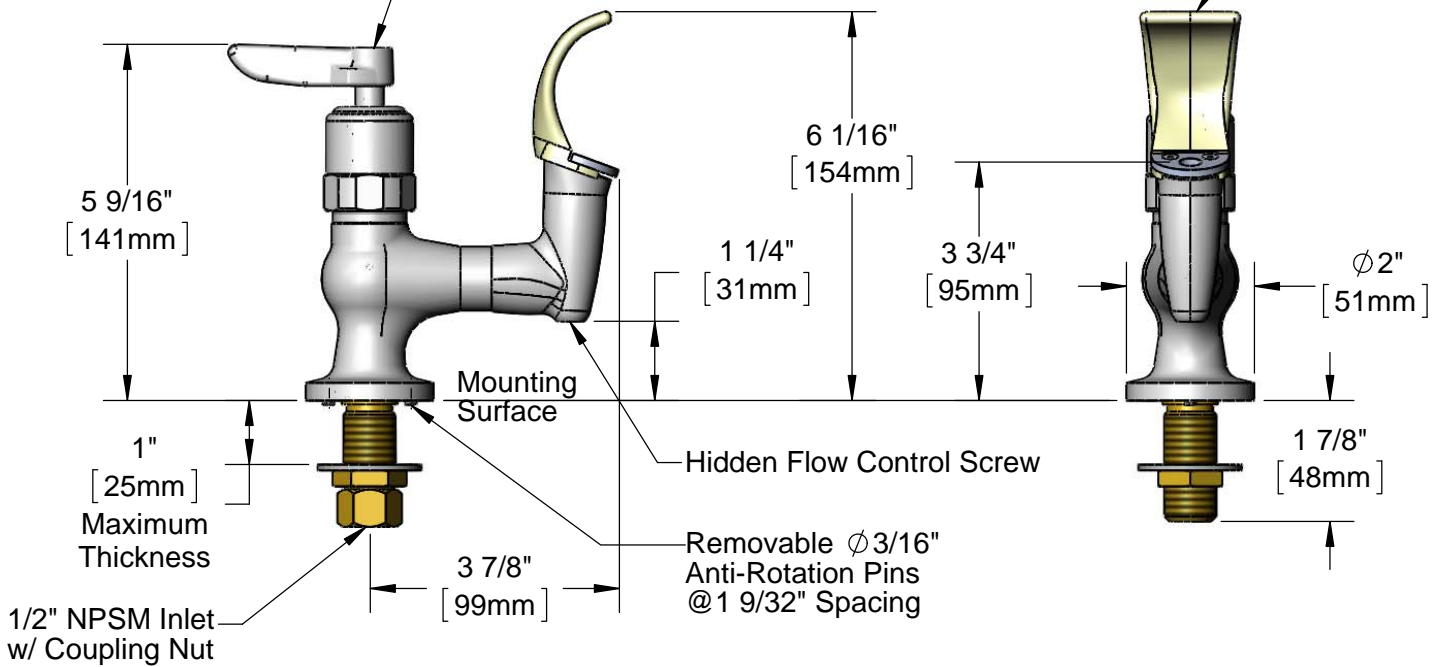


ADA Compliant



Rubber Mouth Guard

Fast Self-Closing Cartridge
 w/ Lever Handle & VR Screw
 (VR Key Included)



Product Specifications:
 Bubbler w/ Anti-Rotation Pins, Fast Self-Closing Cartridge, Lever Handle, Rubber Mouth Guard & 1/2" NPSM Inlet w/ Coupling Nut

Drawn DMH	Checked DHL	Approved JHB
Scale: 1:3		Date: 12/13/12

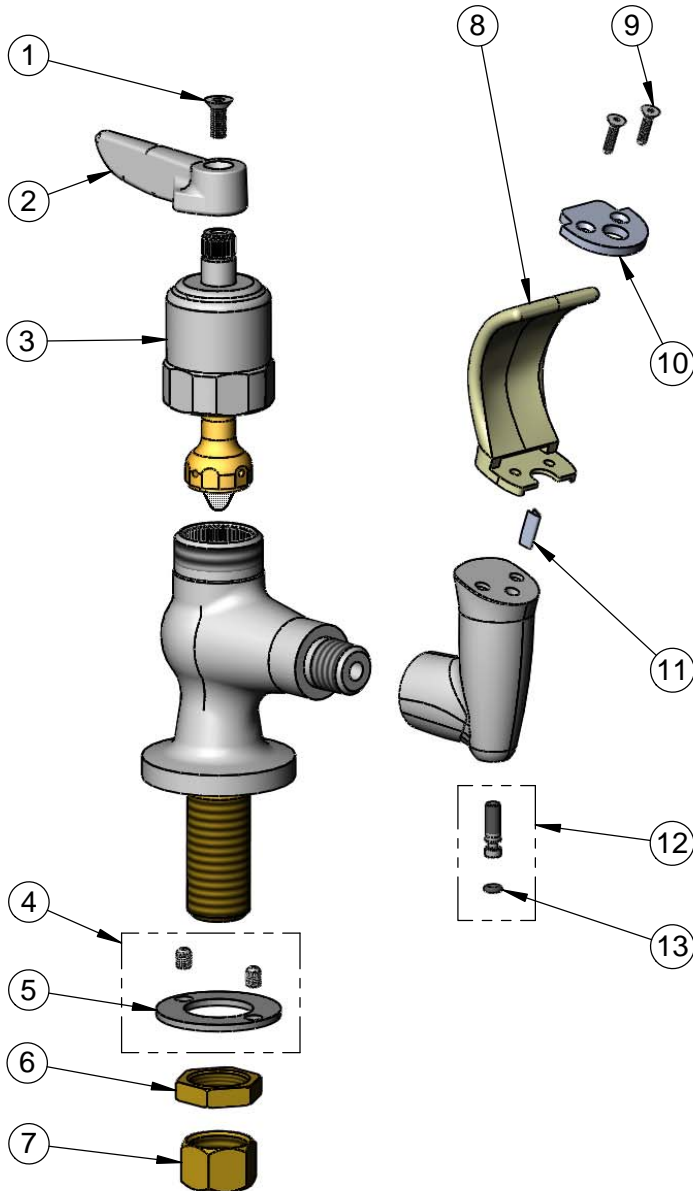


T&S BRASS AND BRONZE WORKS, INC.
 2 Saddleback Cove / P.O. Box 1088
 Travelers Rest, SC 29690

Model No.
B-2360-AR
 Item No.

Travelers Rest, SC: 800-476-4103 • Simi Valley, CA: 800-423-0150 • Fax: 864-834-3518 • www.tsbrass.com

ITEM NO.	SALES NO.	DESCRIPTION
1	010586-45	Pin-In-Socket Screw
2	001638-45	Lever Handle
3	015317-40	Fast Self-Closing Cartridge
4	012698-45	Anti-Rotation Pins w/ Washer
5	012701-20	Washer, Shank - VR Bubbler
6	002954-45	Shank Lock Nut
7	000958-20	Coupling Nut
8	009595-45	Rubber Mouth Guard
9	009598-45	Mouth Guard Screw
10	009596-40	Mouth Guard Holder
11	009594-45	Flow Straightener
12	012697-45	Flow Control Screw
13	015319-45	O-Ring



010587-45
 Vandal Resistant Hex Key
 for Pin-In Socket Screw

Product Specifications:
 Bubbler w/ Anti-Rotation Pins, Fast Self-Closing Cartridge, Lever Handle, Rubber Mouth Guard & 1/2" NPSM Inlet w/ Coupling Nut

Drawn DMH	Checked DHL	Approved JHB
Scale: NTS		Date: 12/13/12