



T&S BRASS AND BRONZE WORKS, INC.

2 Saddleback Cove / P.O. Box 1088
Travelers Rest, SC 29690

Model No.

B-2299

Item No.

Travelers Rest, SC: 800-476-4103 • Simi Valley, CA: 800-423-0150 • Fax: 864-834-3518 • www.tsbrass.com



ADA Compliant

This Space for Architect/Engineer Approval

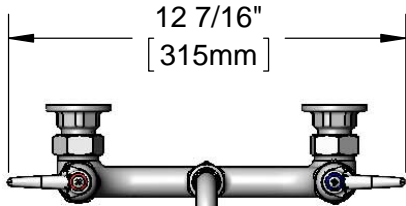
Job Name _____ Date _____

Model Specified _____ Quantity _____

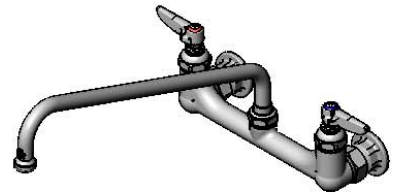
Customer/Wholesaler _____

Contractor _____

Architect/Engineer _____



12 7/16"
[315mm]



Swivel Joint

Eterna Cartridges &
Lever Handles w/
Color Coded Indexes

063X
14" Swing Nozzle w/
Stream Regulator
Outlet

3 5/8"
[93mm]

8 3/16"
[208mm]

5 1/2"
[139mm]

14"
[356mm]

8"
[203mm]
Adjustable From
7 3/4" to 8 1/4"
[197mm to 210mm]

Ø 2" [51mm]
Flanges w/
1/2" NPT
Female Inlets

2 3/8"
[61mm]

Mounting Surface

Product Specifications:

8" Wall Mount Mixing Faucet, Eterna Cartridges, Lever Handles,
14" Swing Nozzle & 1/2" NPT Female Inlets

Product Compliance:

ASME A112.18.1 / CSA B125.1
NSF 61 - Section 9
NSF 372 (Low Lead Content)
ANSI A117.1 (ADA)



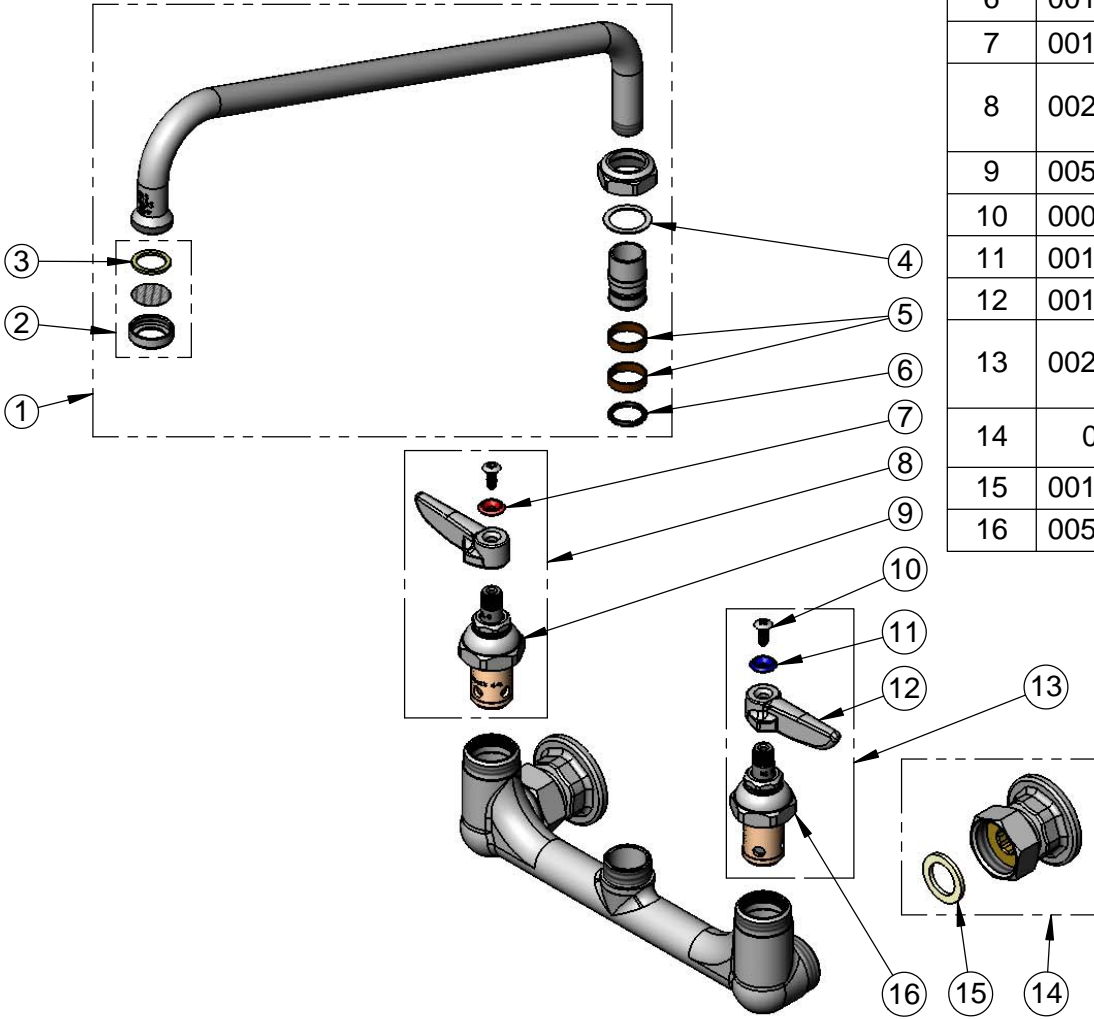
T&S BRASS AND BRONZE WORKS, INC.
 2 Saddleback Cove / P.O. Box 1088
 Travelers Rest, SC 29690

Model No.
B-2299

Item No.

Travelers Rest, SC: 800-476-4103 • Simi Valley, CA: 800-423-0150 • Fax: 864-834-3518 • www.tsbrass.com

ITEM NO.	SALES NO.	DESCRIPTION
1	063X	14" Swivel Nozzle
2	B-PT	Stream Regulator Outlet
3	001048-45	Nozzle Tip Washer
4	009538-45	Swivel Washer
5	011429-45	Swivel Sleeves (2)
6	001074-45	O-Ring
7	001661-45	Red Index-HW
8	002714-40	Eterna Cartridge, RTC w/ Handle, Index & Screw
9	005960-40	Eterna Cartridge, RTC
10	000922-45	Lever Handle Screw
11	001660-45	Blue Index-CW
12	001638-45	Lever Handle
13	002713-40	Eterna Cartridge, LTC w/ Handle, Index & Screw
14	00AA	1/2" NPT Female Eccentric Flange
15	001019-45	Coupling Nut Washer
16	005959-40	Eterna Cartridge, LTC



Product Specifications:
 8" Wall Mount Mixing Faucet, Eterna Cartridges, Lever Handles,
 14" Swing Nozzle & 1/2" NPT Female Inlets

Product Compliance:
 ASME A112.18.1 / CSA B125.1
 NSF 61 - Section 9
 NSF 372 (Low Lead Content)
 ANSI A117.1 (ADA)



T&S BRASS AND BRONZE WORKS, INC.

2 Saddleback Cove / P.O. Box 1088
Travelers Rest, SC 29690



REG. #A2601
ISO #9001

Model No.

B-0230-14-CR-SC

Item No.

Travelers Rest, SC: 800-476-4103 • Simi Valley, CA: 800-423-0150 • Fax: 864-834-3518 • www.tsbrass.com

This Space for Architect/Engineer Approval

Job Name _____ Date _____

Model Specified _____ Quantity _____

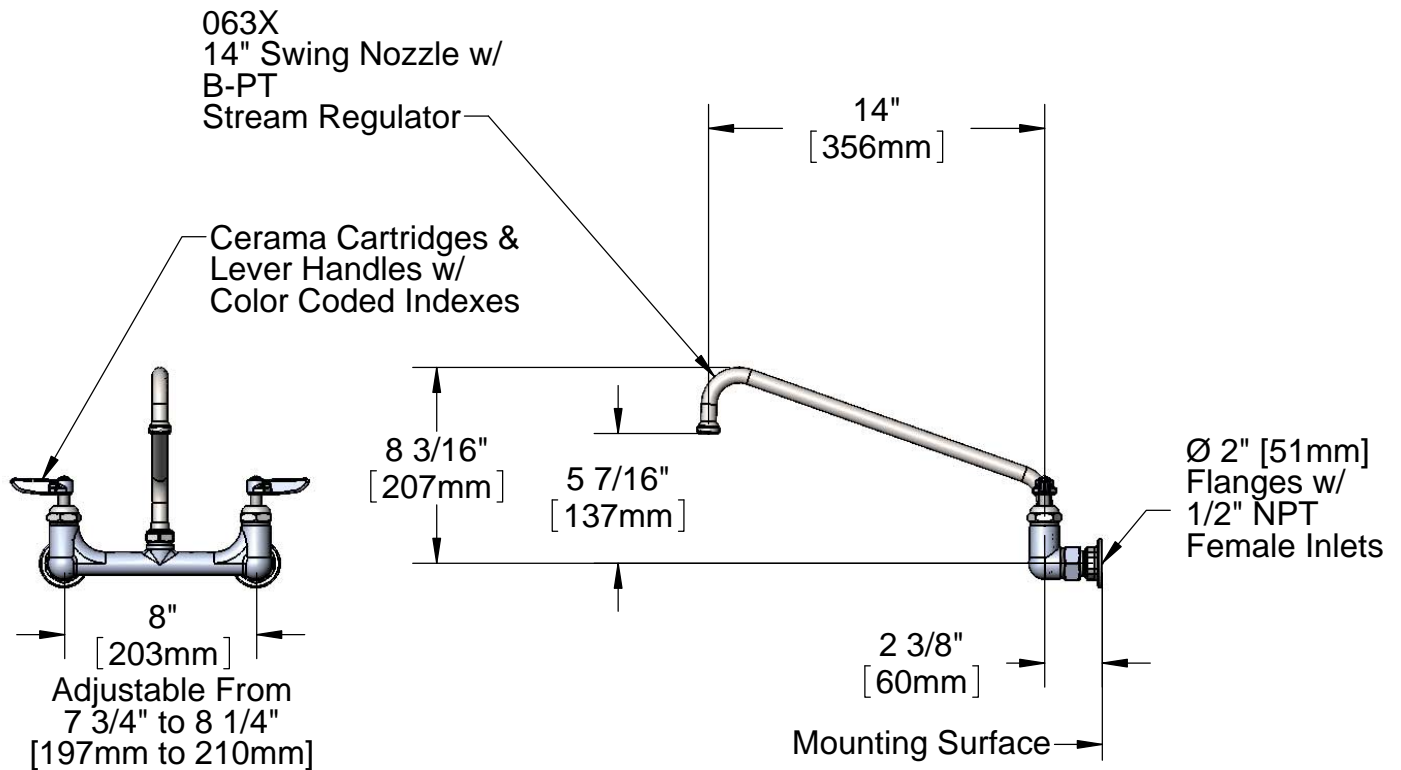
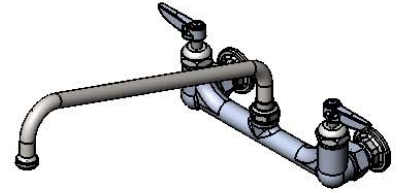
Customer/Wholesaler _____

Contractor _____

Architect/Engineer _____



ADA Compliant



Product Specifications:

8" Wall Mount Mixing Faucet, Cerama Cartridges w/ Check Valves, 14" Swing Nozzle w/ Stream Regulator, Lever Handles & 1/2" NPT Female Inlet Flanges

Drawn

DHL

Checked

GEF

Approved

JHB

Scale:

1:8

Date:

06/03/11



T&S BRASS AND BRONZE WORKS, INC.

2 Saddleback Cove / P.O. Box 1088
Travelers Rest, SC 29690



REG. #A2601
ISO #9001

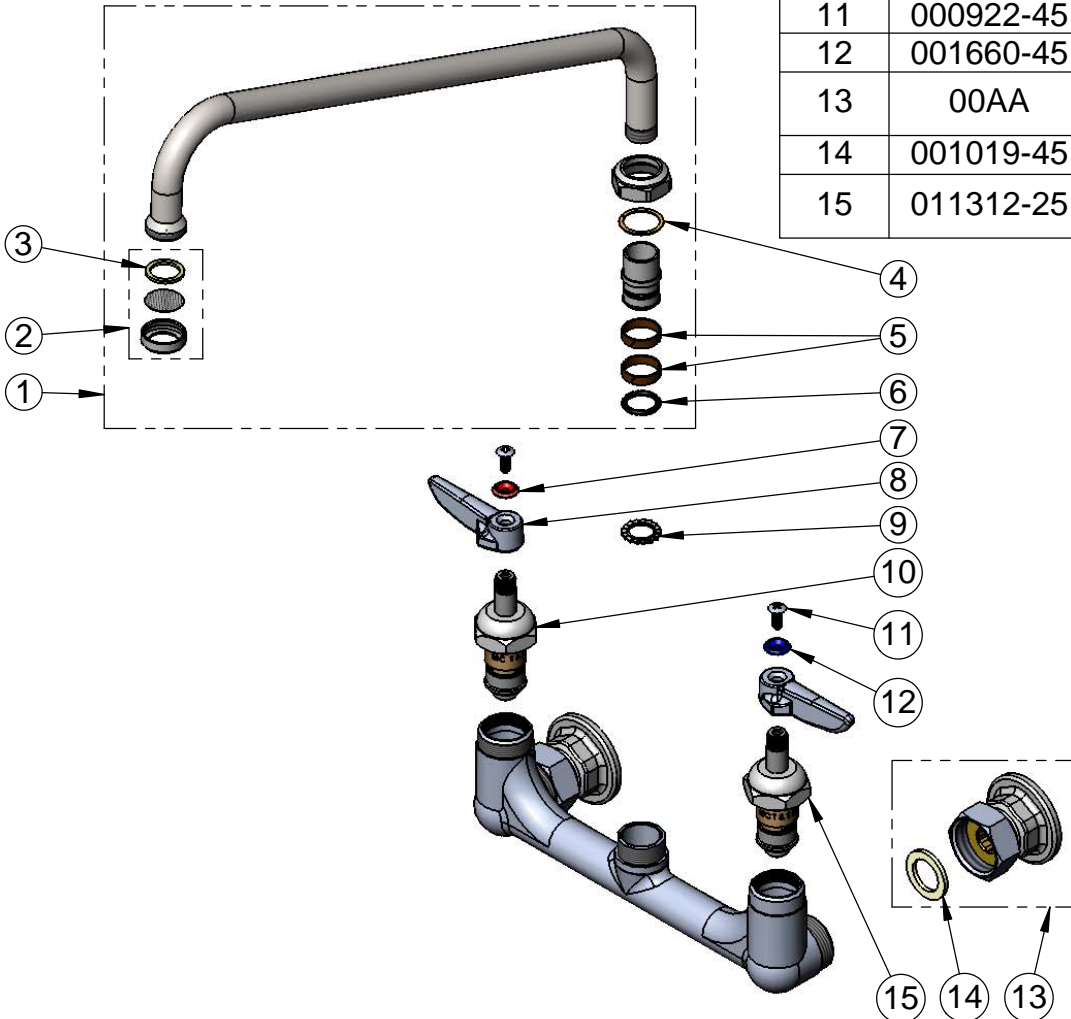
Model No.

B-0230-14-CR-SC

Item No.

Travelers Rest, SC: 800-476-4103 • Simi Valley, CA: 800-423-0150 • Fax: 864-834-3518 • www.tsbrass.com

ITEM NO.	SALES NO.	DESCRIPTION
1	063X	14" Swing Nozzle w/ Stream Regulator
2	B-PT	Stream Regulator
3	001048-45	Nozzle Tip Washer
4	009538-45	Swivel Washer
5	011429-45	Swivel Sleeves (2)
6	001074-45	O-Ring
7	001661-45	Red Index-HW
8	001638-45	Lever Handle
9	014200-45	Star Washer, Anti-Rotation
10	011311-25	Cerama Cartridge, RTC w/ Check Valve
11	000922-45	Lever Handle Screw
12	001660-45	Blue Index-CW
13	00AA	Wall Flange, 1/2" NPT Female Inlet
14	001019-45	Coupling Nut Washer
15	011312-25	Cerama Cartridge, LTC w/ Check Valve



Product Specifications:
8" Wall Mount Mixing Faucet, Cerama Cartridges w/ Check Valves,
14" Swing Nozzle w/ Stream Regulator, Lever Handles & 1/2" NPT
Female Inlet Flanges

Drawn DHL	Checked GEF	Approved JHB
Scale: NTS		Date: 06/03/11



T&S BRASS AND BRONZE WORKS, INC.

2 SADDLEBACK COVE / P.O. BOX 1088 / TRAVELERS REST, SC 29690

PHONE 800-476-4103

FAX 864-834-3518



REG.#A2601
ISO #9002

Model No.

B-2358

Item No.:

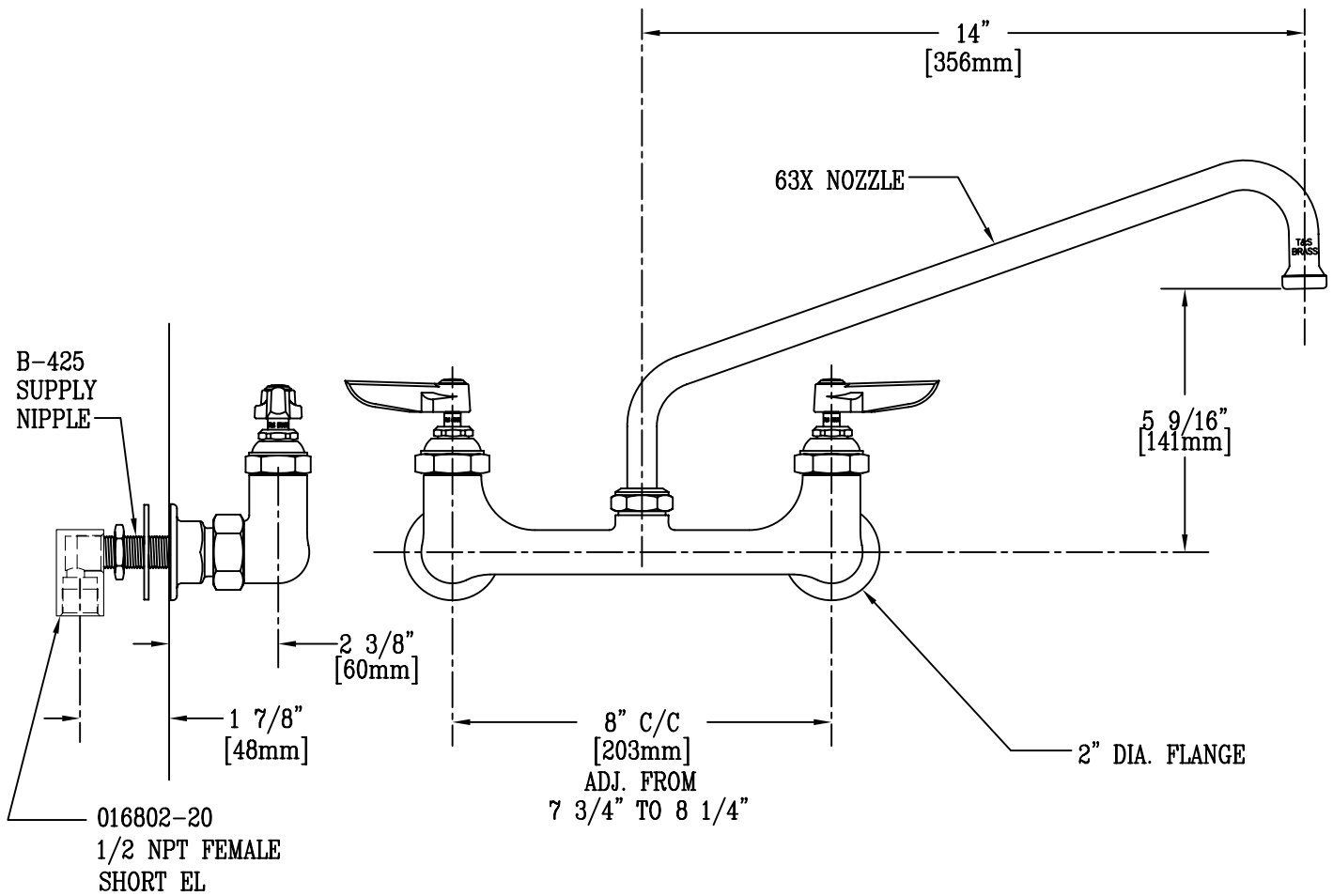
Job Name:

Architect/Engineer Approval:

Notes:



ADA COMPLIANT



Product Description:
SINK MIXING FAUCET WITH SWING NOZZLE

Drawn:
GEF

Checked
ARM

Scale:
3" = 1'

Approved
JHB

Date:
9/14/07