

T&S BRASS AND BRONZE WORKS, INC.
 2 SADDLEBACK COVE / P.O. BOX 1088 / TRAVELERS REST, SC 29690
 PHONE 800-476-4103 FAX 864- 834-3518



Model No.

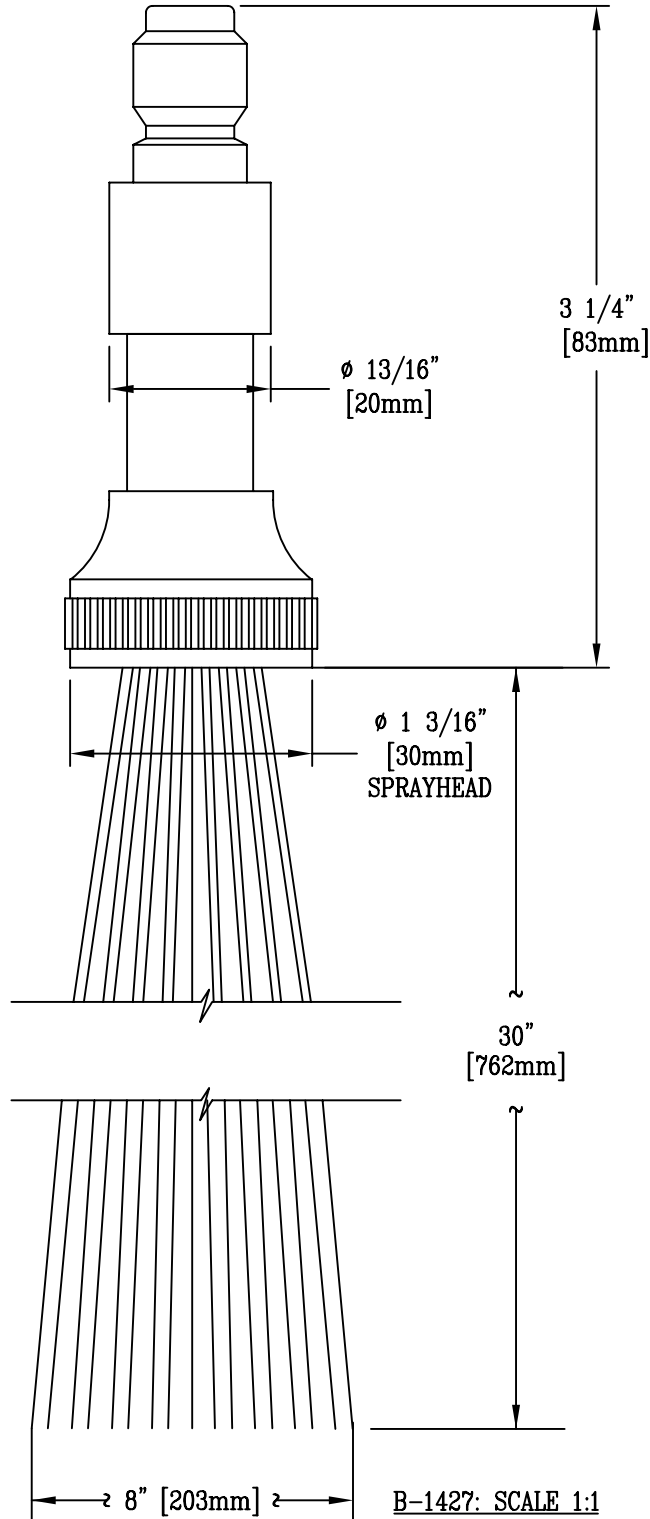
B-1427

Item No.:

Job Name:

Architect/Engineer Approval:

Notes:



EPAct2005 NON-COMPLIANT

INSERT PLUG INTO SOCKET OF B-1420 SQUEEZE VALVE

(B-1420 SOLD SEPARATELY)

ASSEMBLY: SCALE 1:2

Product Description:

QUICK CONNECT ROSESpray FOR USE w/
 B-1420 SQUEEZE VALVE

Drawn:

JRM

Approved

JHB

Checked

GEF

Scale:

1' = 1'

Date:

02/02/09