



T&S BRASS AND BRONZE WORKS, INC.

2 SADDLEBACK COVE / P.O. BOX 1088 / TRAVELERS REST, SC 29690

PHONE 800-476-4103

FAX 864- 834-3518



REG.#A2601
ISO #9002

Model No.

B-1344

Item No.:

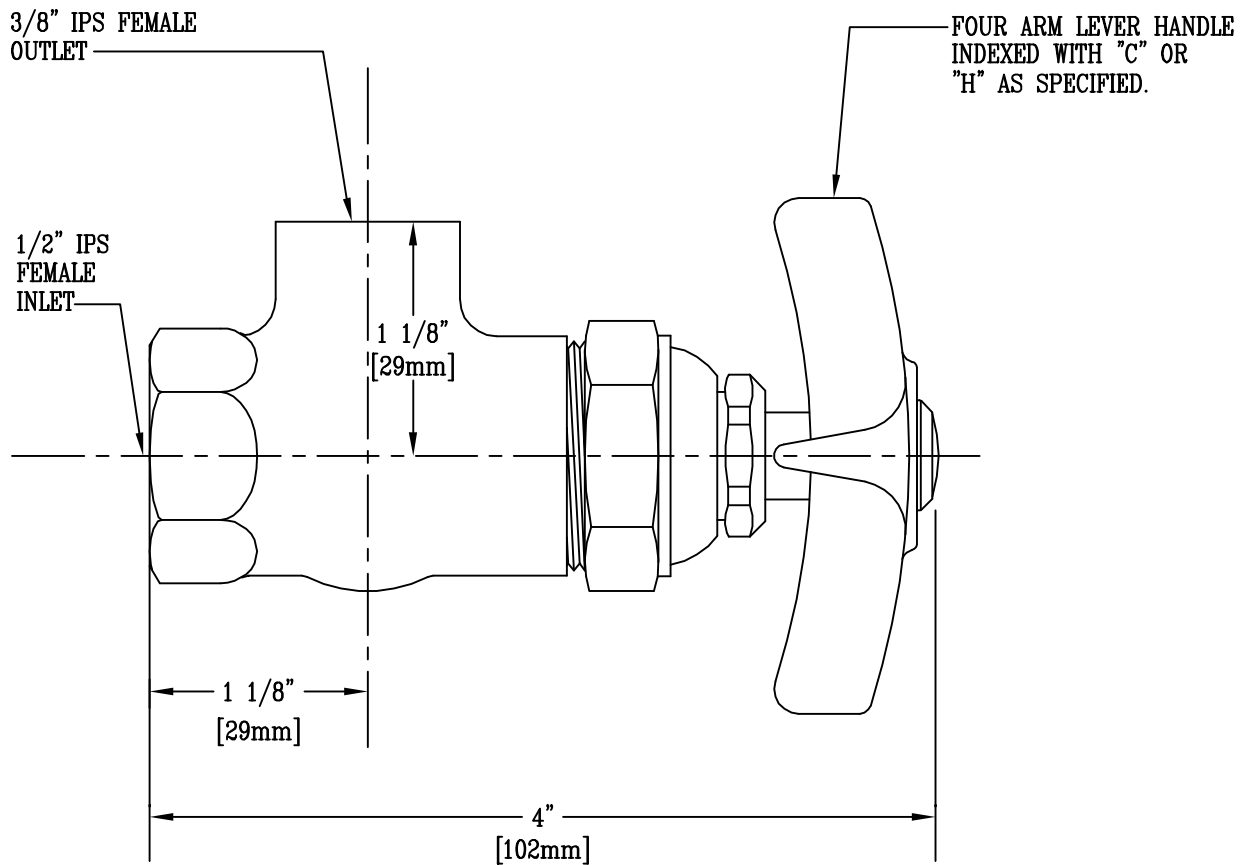
Job Name:

Architect/Engineer Approval:

Notes:



ADA COMPLIANT



Product Description:
ANGLE STOP WITH 1/2" NPT FEMALE INLET,
3/8" NPT FEMALE OUTLET, 4-ARM HANDLE,
INDEXED "C" OR "H" AS SPECIFIED

Drawn:

WJS

Checked

ARD

Scale:

1' = 1'

Approved

CA

Date:

8/11/95



T&S BRASS AND BRONZE WORKS, INC.
 2 SADDLEBACK COVE / P.O. BOX 1088 / TRAVELERS REST, SC 29690
 PHONE 800-476-4103 FAX 803-834-3518



REG.#A2601
 ISO #9002

Model No.

B-1345

Item No.:

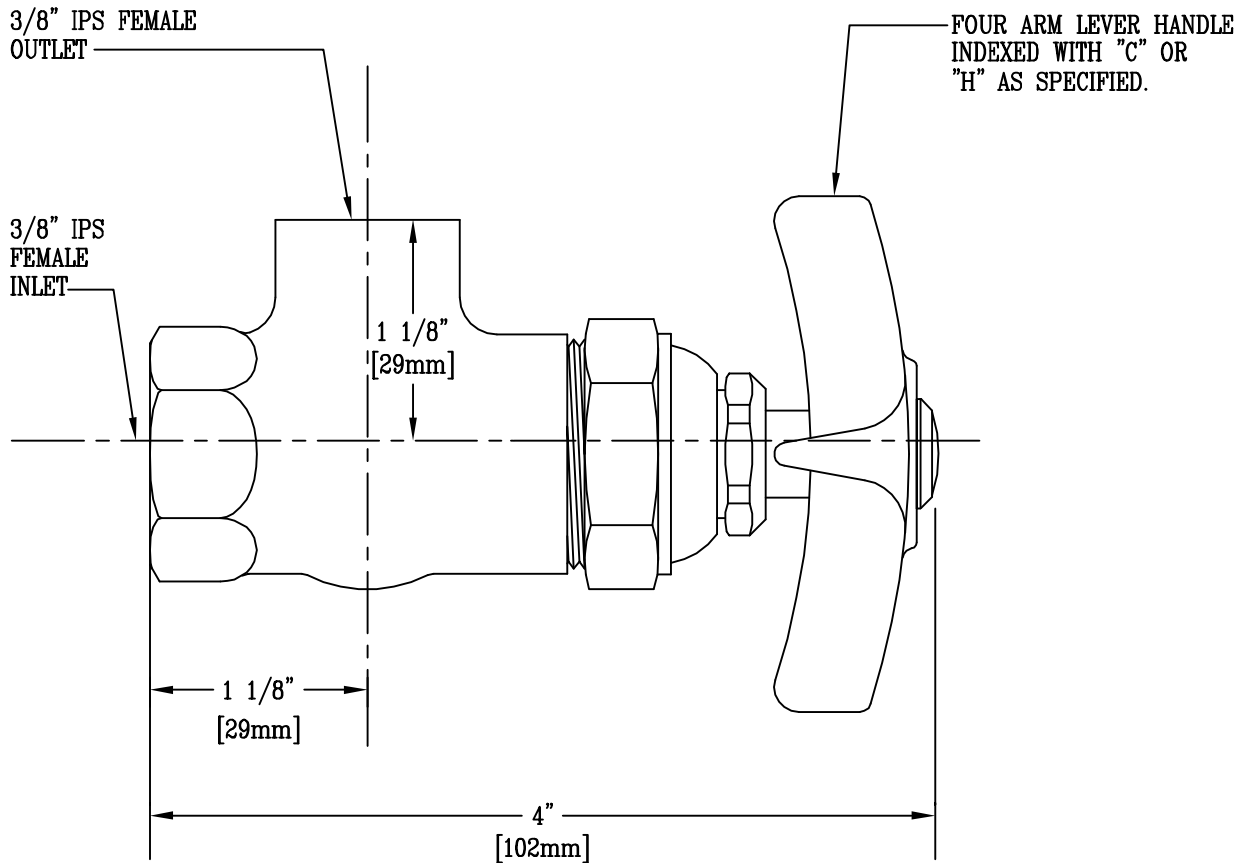
Job Name:

Architect/Engineer Approval:

Notes:



ADA COMPLIANT



Product Description:

ANGLE STOP WITH 3/8" IPS FEMALE INLET,
 3/8" IPS FEMALE OUTLET, FOUR ARM HANDLE
 INDEXED "C" OR "H" AS SPECIFIED

Drawn:

WJS

Approved

CA

Checked

ARD

Scale:

1' = 1'

Date:

8/11/95