



T&S BRASS AND BRONZE WORKS, INC.

2 Saddleback Cove / P.O. Box 1088
Travelers Rest, SC 29690

Model No.

B-1231

Item No.

Travelers Rest, SC: 800-476-4103 • Simi Valley, CA: 800-423-0150 • Fax: 864-834-3518 • www.tsbrass.com

This Space for Architect/Engineer Approval

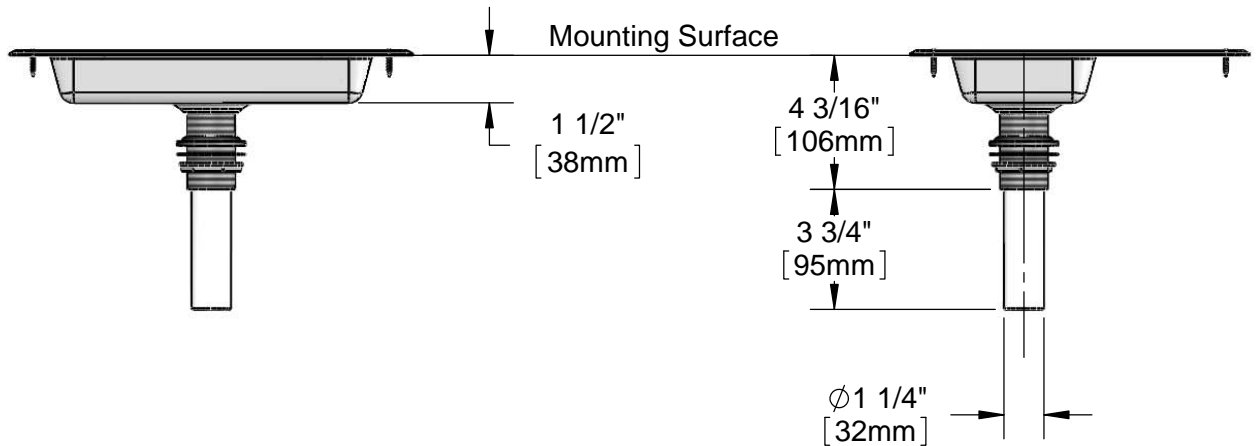
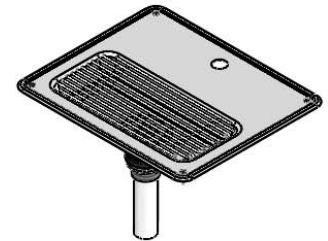
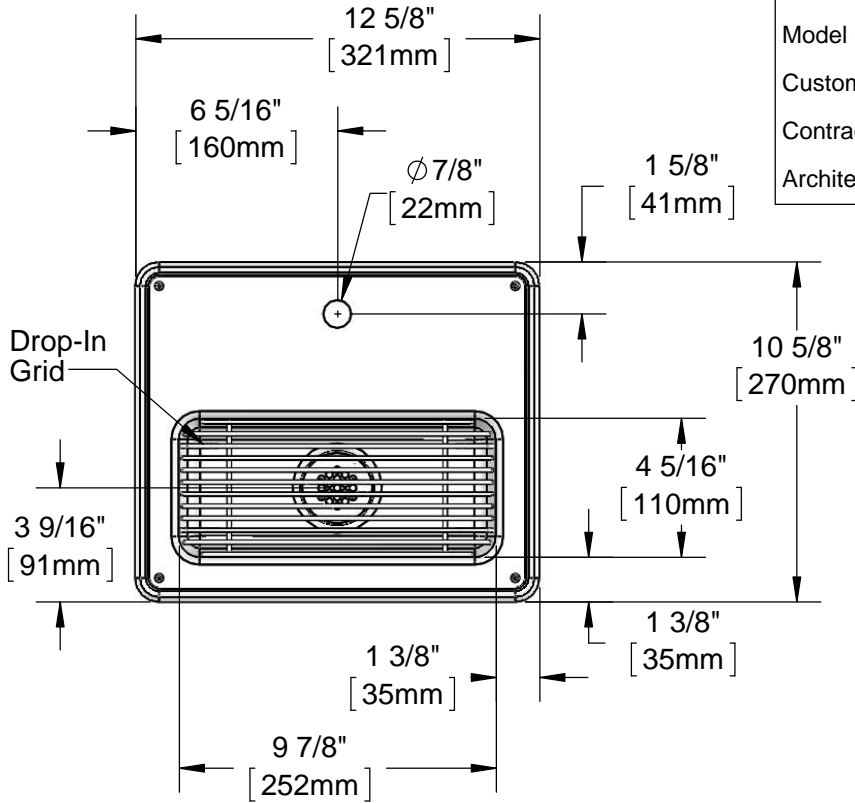
Job Name _____ Date _____

Model Specified _____ Quantity _____

Customer/Wholesaler _____

Contractor _____

Architect/Engineer _____



Note:

- 18 Gauge Stainless Steel Pan w/ Beaded Edge
Supplied w/ Mastic & Stainless Steel Screws for Mounting.
- Suggested Cut Out Size for Pan is 10-1/2" x 5". Customer to Verify Actual Cut Out Needed Prior to Installation.

Product Specifications:

18 Gauge Die-Stamped Stainless Steel Drip Pan, Drop-In Grid & Ø 1 1/4" Drain

Drawn

KJG

Checked

DMH

Approved

JHB

Scale:

1:6

Date:

04/25/13



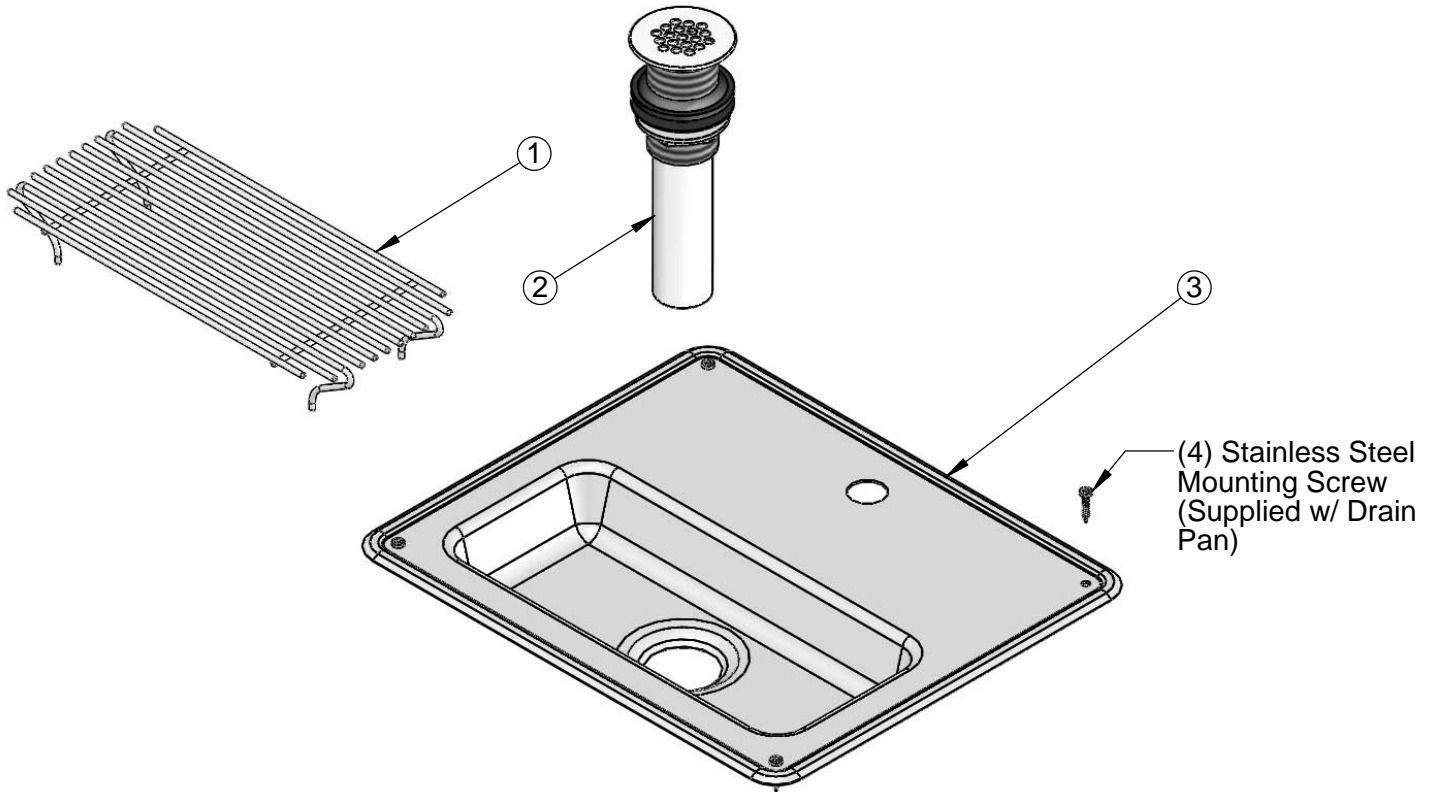
T&S BRASS AND BRONZE WORKS, INC.
 2 Saddleback Cove / P.O. Box 1088
 Travelers Rest, SC 29690

Model No.
B-1231

Item No.

Travelers Rest, SC: 800-476-4103 • Simi Valley, CA: 800-423-0150 • Fax: 864-834-3518 • www.tsbrass.com

ITEM NO.	SALES NO.	DESCRIPTION
1	183F	Drip Pan Grid
2	010126-45	Drip Pan Drain
3	010123-45	Drip Pan



Product Specifications:
 18 Gauge Die-Stamped Stainless Steel Drip Pan, Drop-In Grid
 & Ø 1 1/4" Drain

Drawn KJG	Checked DMH	Approved JHB
Scale: NTS		Date: 04/25/13