



T&S BRASS AND BRONZE WORKS, INC.
 2 Saddleback Cove / P.O. Box 1088
 Travelers Rest, SC 29690

Model No.
B-1210-WFK

Item No.

Travelers Rest, SC: 800-476-4103 • Simi Valley, CA: 800-423-0150 • Fax: 864-834-3518 • www.tsbrass.com



ADA Compliant

This Space for Architect/Engineer Approval

Job Name _____ Date _____

Model Specified _____ Quantity _____

Customer/Wholesaler _____

Contractor _____

Architect/Engineer _____



Adjustable Flow Outlet
 w/ Torx Wrench

Dark Blue Lever Arm

Ø2" [51mm]
 Adjustable Flange

3/8" NPT Street Elbow

3/8" Compression x 1/2" NPSM x
 18" [457mm] Long Connector Hose

3/8" Compression x
 3/8" NPT Male Adapters

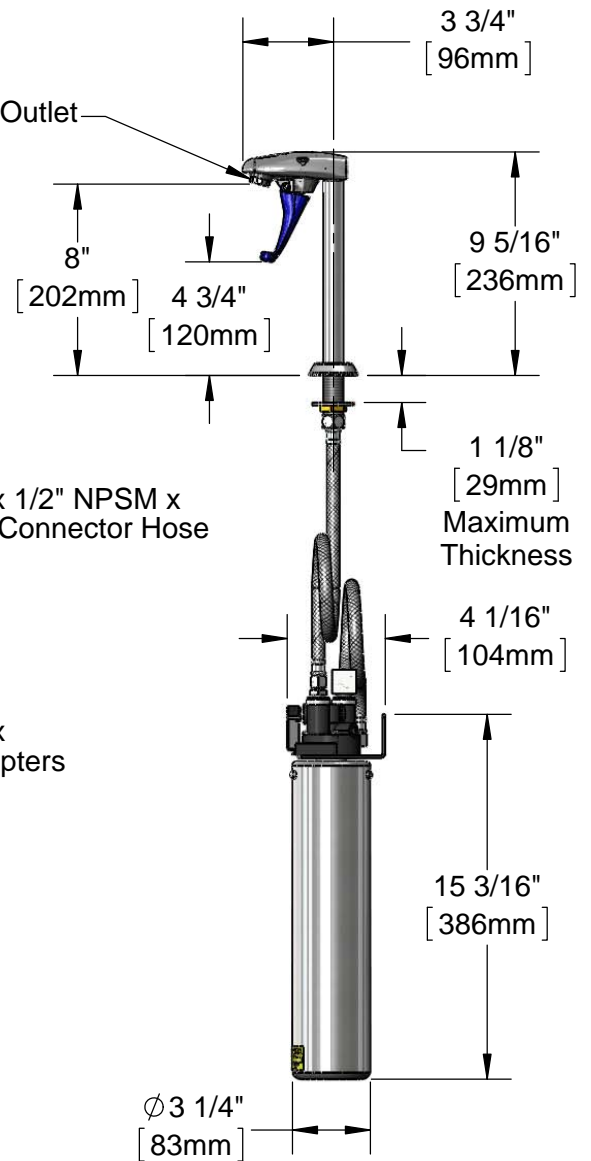
3/8" Compression x
 20" [508mm] Long
 Inlet Hose

Docking Station w/
 Shut-off Lever

Replaceable
 Filter Cartridge

Allow for 2 1/2" [64mm]
 Clearance Below for
 Cartridge Removal

Rough-In Requirement:
 Ø1" [25mm] Mounting Hole



Product Specifications:
 8" Pedestal Type Glass Filler w/ Water Filtration Kit

Drawn DMH	Checked JRM	Approved JHB
Scale: 1:8		Date: 01/16/14

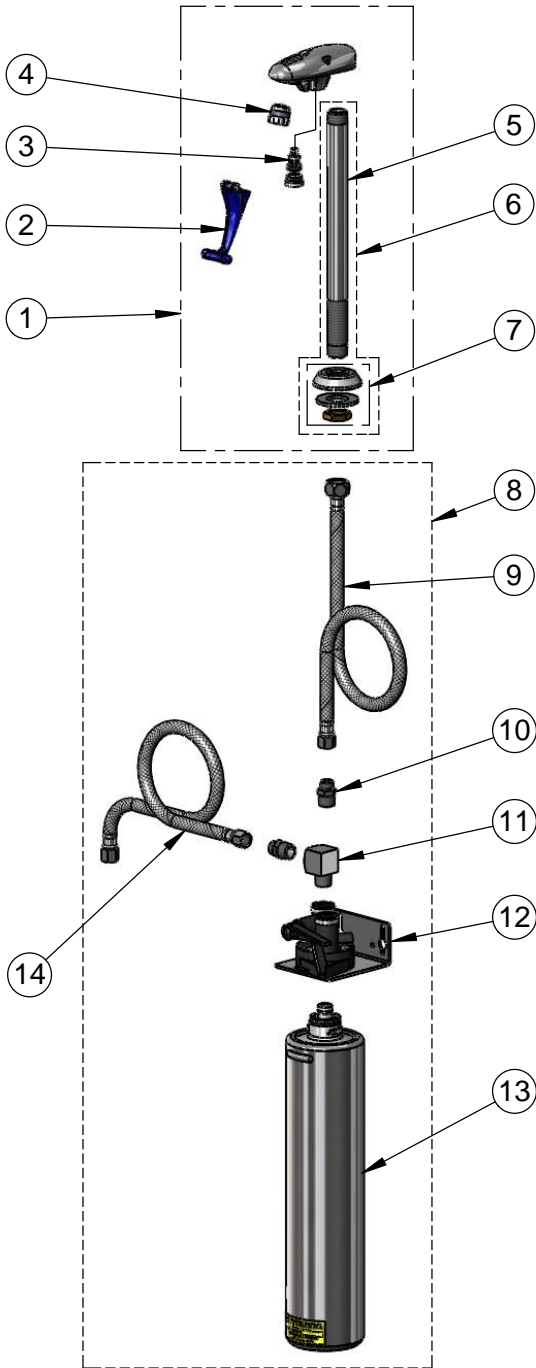


T&S BRASS AND BRONZE WORKS, INC.
 2 Saddleback Cove / P.O. Box 1088
 Travelers Rest, SC 29690

Model No.
B-1210-WFK

Item No.

Travelers Rest, SC: 800-476-4103 • Simi Valley, CA: 800-423-0150 • Fax: 864-834-3518 • www.tsbrass.com



ITEM NO.	SALES NO.	DESCRIPTION
1	B-1210	8" Pedestal Type Glass Filler
2	015550-45	Lever Arm Repair Kit
3	015589-40	Valve Assembly
4	015588-40	Adjustable Outlet w/ Torx Wrench
5	015886-40	B-1210 Glass Filler Pedestal
6	015887-40	Pedestal Assembly
7	016783-40	Adjustable Deck Flange Repair Kit
8	B-WKF	Water Filtration Kit
9	5EF-0005	Supply Hose, 9/16-24 Female x 1/2" NPSM
10	006101-45	Adapter, 3/8" NPT x 9/16"-24 UN Male
11	148X	3/8 Street Elbow
12	B-WFDS	Water Filtration Docking Station
13	B-WFC	Filter Cartridge
14	013146-45	Supply Hose, 9/16-24 Fem (3/8" Comp)



016640-45
 T-45 Torx Wrench
 for Adjustable Outlet

Product Specifications:
 8" Pedestal Type Glass Filler w/ Water Filtration Kit

Drawn DMH	Checked JRM	Approved JHB
---------------------	-----------------------	------------------------

Scale: NTS	Date: 01/16/14
----------------------	--------------------------