



T&S BRASS AND BRONZE WORKS, INC.

2 Saddleback Cove / P.O. Box 1088
Travelers Rest, SC 29690

Model No.

B-0610

Item No.

Travelers Rest, SC: 800-476-4103 • Simi Valley, CA: 800-423-0150 • Fax: 864-834-3518 • www.tsbrass.com

This Space for Architect/Engineer Approval

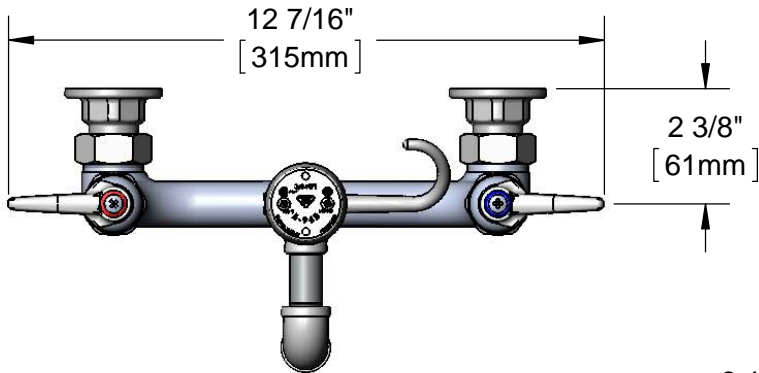
Job Name _____ Date _____

Model Specified _____ Quantity _____

Customer/Wholesaler _____

Contractor _____

Architect/Engineer _____



B-0968
3/8" NPT
Vacuum
Breaker

Eterna Cartridges w/
Spring Checks &
Lever Handles w/
Color Coded Indexes

Finger Hook

3 1/2"
[88mm]

Hook Nozzle
w/ Self-Closing
Valve

3"
[76mm]

3 11/16"
[94mm]

4 7/16"
[113mm]

8"
[203mm]

Adjustable From
7 3/4" to 8 1/4"
[197mm to 210mm]

Ø 2" [51mm]
Flanges w/
1/2" NPT
Female Inlets

68" Flexible
Stainless
Steel Hose

Product Specifications:

Kettle & Pot Filler Wall Mount Faucet, Eterna Cartridges w/ Spring Checks, Lever Handles, 3/8" NPT Vacuum Breaker, 68" Flexible Stainless Steel Hose, Hook Nozzle & 1/2" NPT Female Inlets

Product Compliance:

ASME A112.18.1 / CSA B125.1
NSF 61 - Section 9
NSF 372 (Low Lead Content)
ASSE 1001

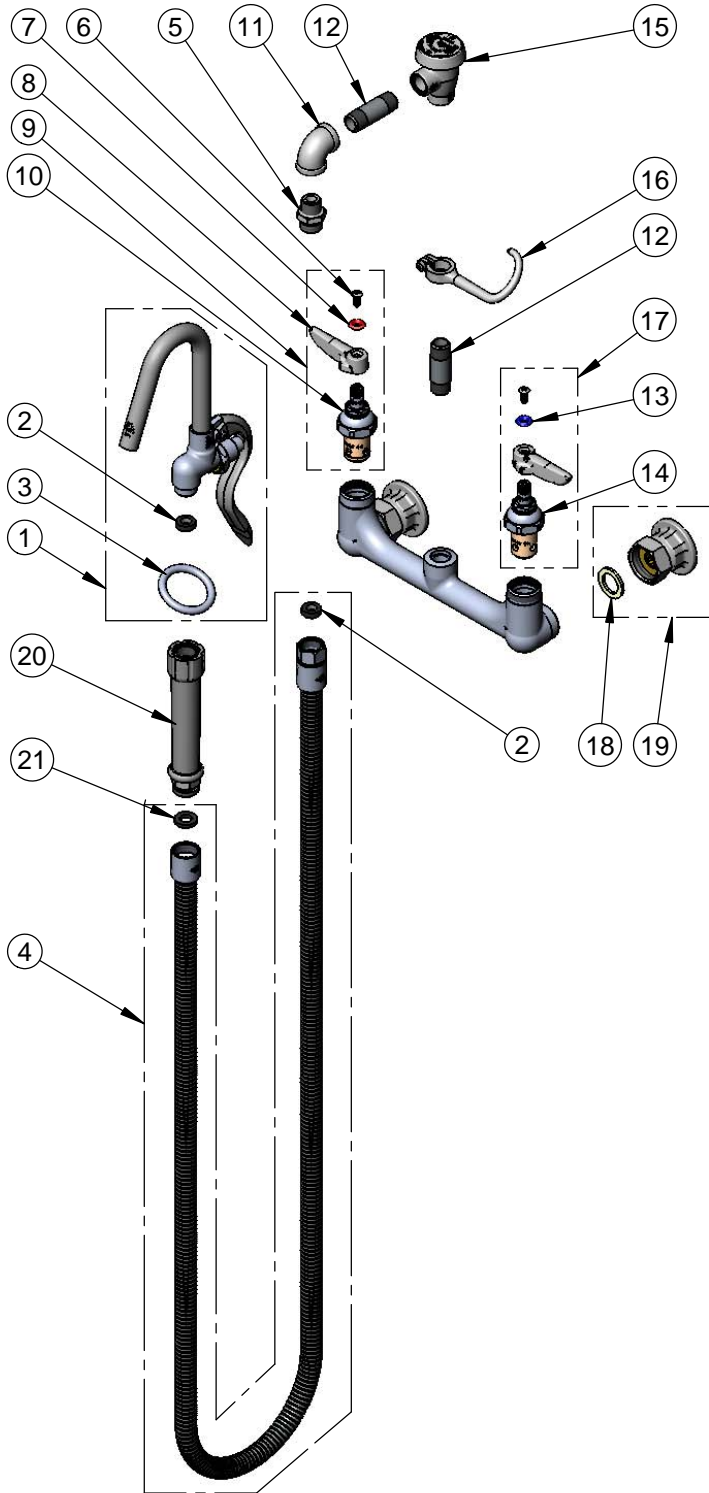


T&S BRASS AND BRONZE WORKS, INC.
 2 Saddleback Cove / P.O. Box 1088
 Travelers Rest, SC 29690

Model No.
B-0610

Item No.

Travelers Rest, SC: 800-476-4103 • Simi Valley, CA: 800-423-0150 • Fax: 864-834-3518 • www.tsbrass.com



ITEM NO.	SALES NO.	DESCRIPTION
1	002851-40	Hook Nozzle & Spray Valve
2	010476-45	#27 Washer
3	000907-45	Spray Valve Hold Down Ring
4	B-0068-H2A	68" Flexible Stainless Steel Hose, Less Handle
5	053A	Adapter, 3/8" NPT Male
6	000922-45	Lever Handle Screw
7	001661-45	Red Index-HW
8	001638-45	Lever Handle
9	002712-40	Eterna Cartridge, RTC w/ Spring Check, Handle, Index & Screw
10	012443-40	Eterna Cartridge, RTC w/ Spring Check
11	001355-40	Elbow, 3/8 NPT
12	000357-40	Nipple, 3/8" NPT x 2"
13	001660-45	Blue Index-CW
14	012442-40	Eterna Cartridge, LTC w/ Spring Check
15	B-0968	3/8" NPT Vacuum Breaker
16	004R	Finger Hook
17	002711-40	Eterna Cartridge, LTC w/ Spring Check, Handle, Index & Screw
18	001019-45	Coupling Nut Washer
19	00AA	1/2" NPT Female Eccentric Flange
20	002987-40	Grip Handle
21	001014-45	Washer, B-0100 Hose Barrel

Product Specifications:

Kettle & Pot Filler Wall Mount Faucet, Eterna Cartridges w/ Spring Checks, Lever Handles, 3/8" NPT Vacuum Breaker, 68" Flexible Stainless Steel Hose, Hook Nozzle & 1/2" NPT Female Inlets

Product Compliance:

ASME A112.18.1 / CSA B125.1
 NSF 61 - Section 9
 NSF 372 (Low Lead Content)
 ASSE 1001



T&S BRASS AND BRONZE WORKS, INC.
 2 SADDLEBACK COVE / P.O. BOX 1088 / TRAVELERS REST, SC 29690
 PHONE 800-476-4103 FAX 864-834-3518



Model No.

B-0610-JJ

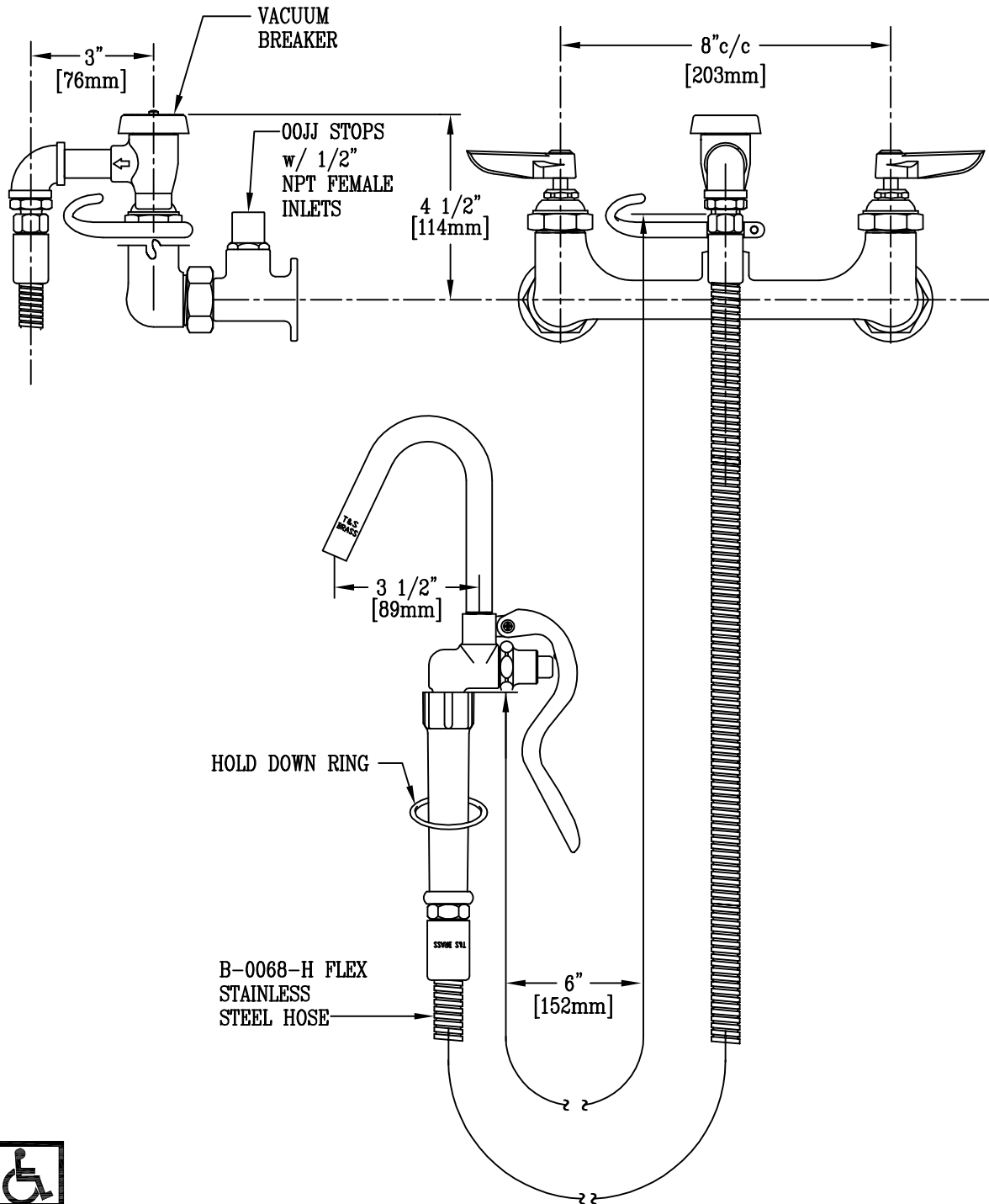
Item No.:

REG.#A2601
ISO #9002

Job Name:

Architect/Engineer Approval:

Notes:



ADA COMPLIANT

Product Description:
 KETTLE & POT FILLER ASSEMBLY WITH FLEXIBLE ST. STEEL HOSE, MIXING FAUCET w/ 00JJ INLETS, LEVER HANDLES, & SQUEEZE VALVE W/ HOOK NOZZLE

Drawn:

WJS

Checked

JRM

Scale:

1 : 4

Approved

JHB

Date:

8/24/06



T&S BRASS AND BRONZE WORKS, INC.

2 SADDLEBACK COVE / P.O. BOX 1088 / TRAVELERS REST, SC 29690

PHONE 800-476-4103

FAX 864-834-3518



REG.#A2601
ISO #9002

Model No.

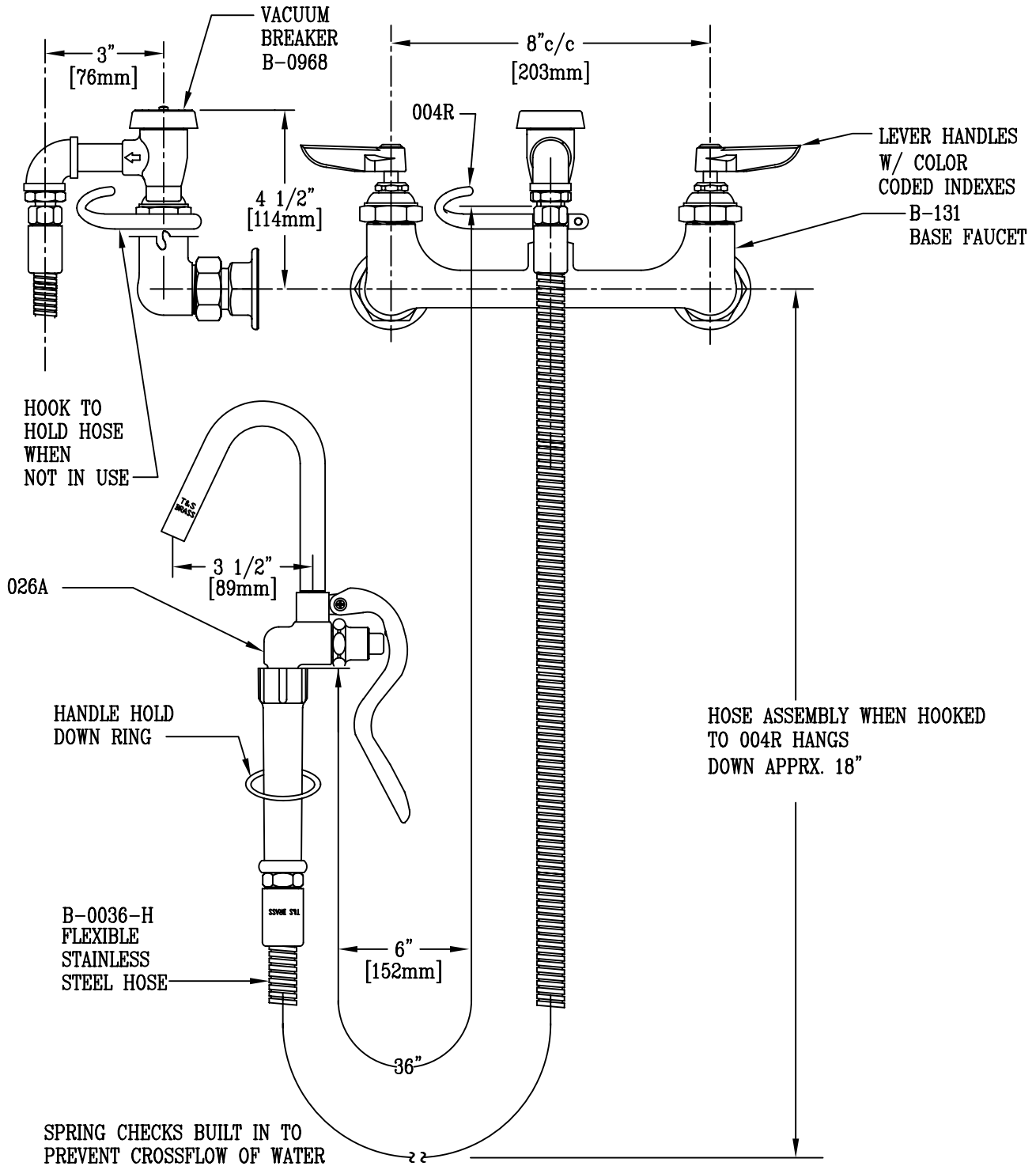
B-0610-36H

Item No.:

Job Name:

Architect/Engineer Approval:

Notes:



Product Description:
 KETTLE & POT FILLER ASSEMBLY WITH FLEXIBLE STAINLESS STEEL HOSE, MIXING FAUCET W/ VACUUM BREAKER & LEVER HANDLES, & SQUEEZE VALVE W/ HOOK NOZZLE

Drawn:	Checked:	Scale:
ARH	GEF	1:4
Approved:	Date:	
JHB	11/19/07	

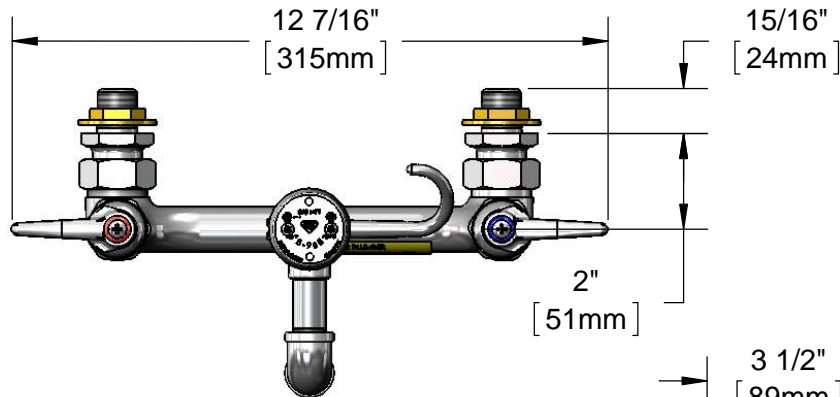


T&S BRASS AND BRONZE WORKS, INC.
 2 Saddleback Cove / P.O. Box 1088
 Travelers Rest, SC 29690

Model No.
B-0610-CC-H108

Item No.

Travelers Rest, SC: 800-476-4103 • Simi Valley, CA: 800-423-0150 • Fax: 864-834-3518 • www.tsbrass.com



This Space for Architect/Engineer Approval

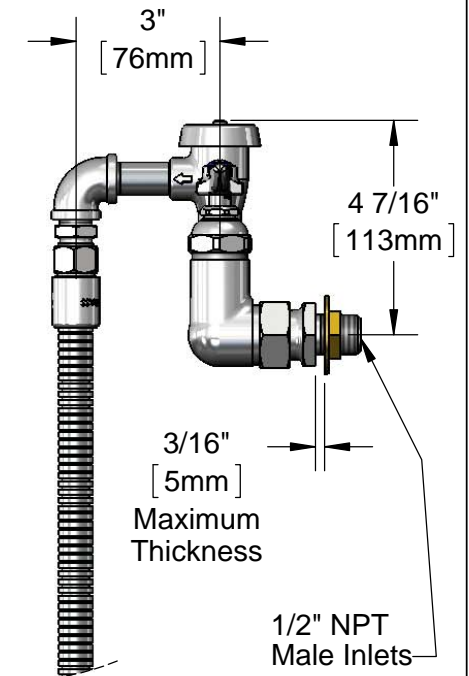
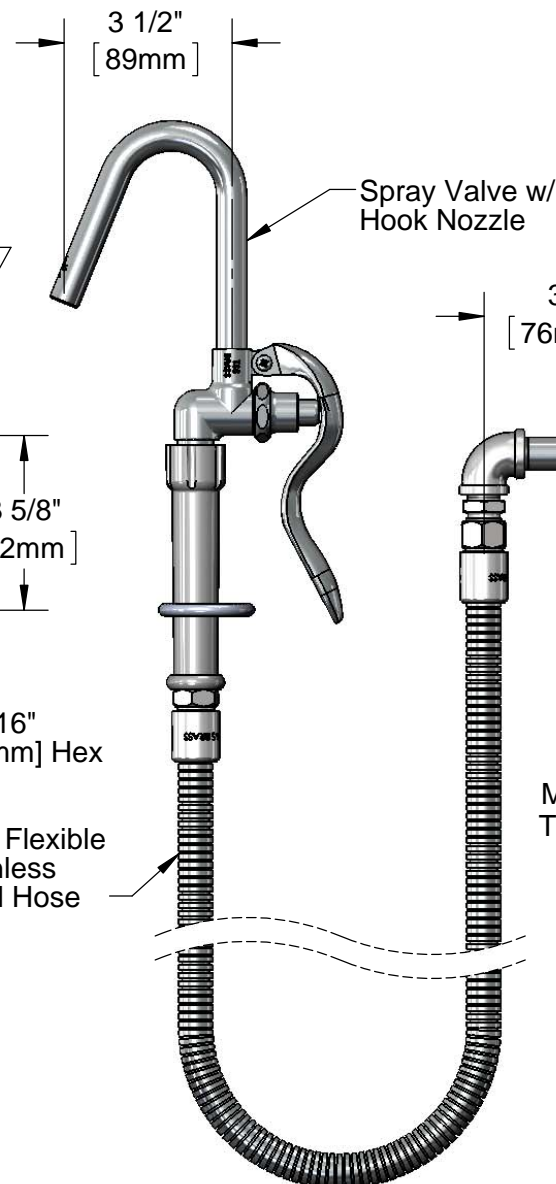
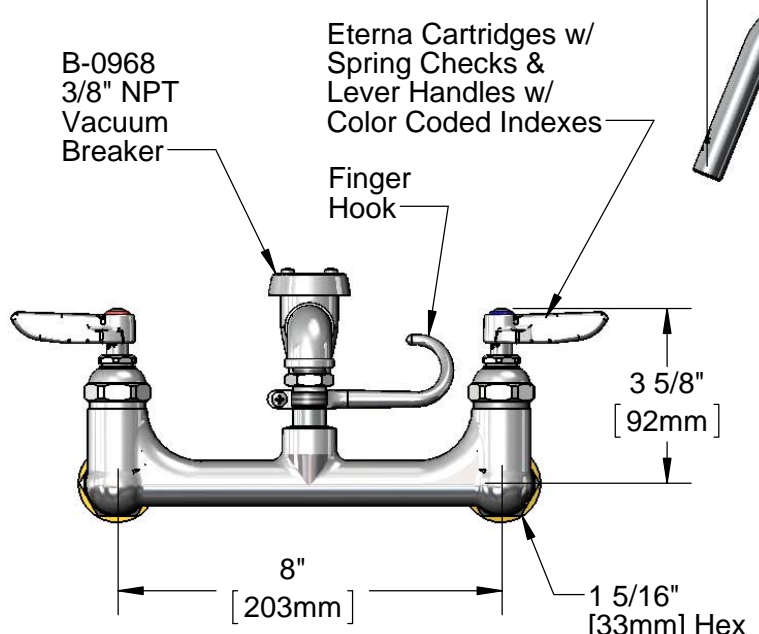
Job Name _____ Date _____

Model Specified _____ Quantity _____

Customer/Wholesaler _____

Contractor _____

Architect/Engineer _____



Product Specifications:
 Kettle & Pot Filler Wall Mount Faucet, Eterna Cartridges w/ Spring Checks, Lever Handles, 3/8" NPT Vacuum Breaker, 108" Flexible Stainless Steel Hose, Spray Valve w/ Hook Nozzle & 1/2" NPT Male Inlets

Drawn KJG	Checked DMH	Approved JHB
Scale: 1:4		Date: 09/20/13



T&S BRASS AND BRONZE WORKS, INC.

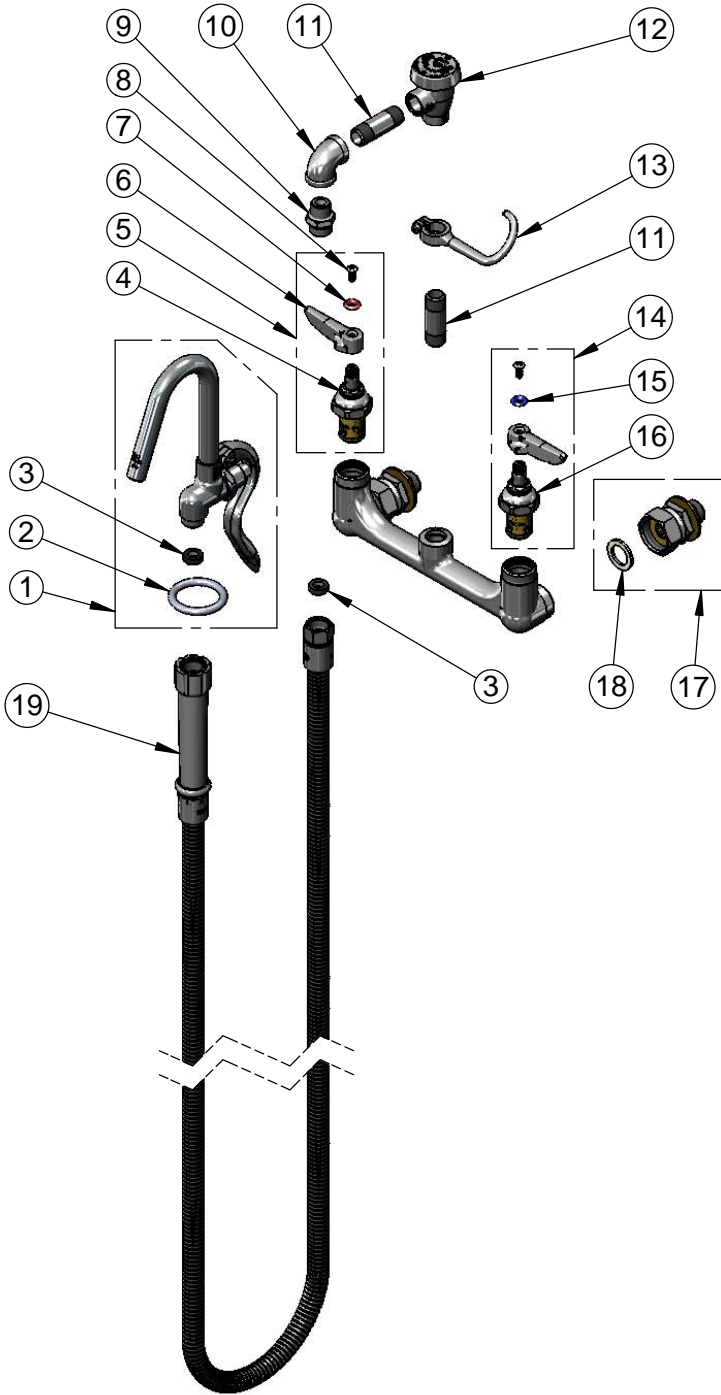
2 Saddleback Cove / P.O. Box 1088
Travelers Rest, SC 29690

Model No.

B-0610-CC-H108

Item No.

Travelers Rest, SC: 800-476-4103 • Simi Valley, CA: 800-423-0150 • Fax: 864-834-3518 • www.tsbrass.com



ITEM NO.	SALES NO.	DESCRIPTION
1	002851-40	Hook Nozzle & Spray Valve
2	000907-45	Spray Valve Hold Down Ring
3	010476-45	#27 Washer
4	012443-40	Eterna Cartridge, RTC w/ Spring Check
5	002712-40	Eterna Cartridge, RTC w/ Spring Check, Handle, Index & Screw
6	001638-45	Lever Handle
7	001661-45	Red Index-HW
8	000922-45	Lever Handle Screw
9	053A	Adapter, 3/8" NPT x 3/4"-14 UNS
10	001355-40	Elbow, 3/8 NPT
11	000357-40	Nipple, 3/8" NPT x 2"
12	B-0968	3/8" NPT Vacuum Breaker
13	004R	Finger Hook
14	002711-40	Eterna Cartridge, LTC w/ Spring Check, Handle, Index & Screw
15	001660-45	Blue Index-CW
16	012442-40	Eterna Cartridge, LTC w/ Spring Check
17	00CC	1/2" NPT Male Inlet Flange
18	001019-45	Coupling Nut Washer
19	B-0108-HOSE	108" Flexible Stainless Steel Hose

Product Specifications:

Kettle & Pot Filler Wall Mount Faucet, Eterna Cartridges w/ Spring Checks, Lever Handles, 3/8" NPT Vacuum Breaker, 108" Flexible Stainless Steel Hose, Spray Valve w/ Hook Nozzle & 1/2" NPT Male Inlets

Drawn

KJG

Checked

DMH

Approved

JHB

Scale:

NTS

Date:

09/20/13